



US00D398453S

United States Patent [19]
Stead

[11] **Patent Number: Des. 398,453**
[45] **Date of Patent: **Sep. 22, 1998**

[54] **STOOL**

[76] Inventor: **David L. Stead**, 326 Greenbriar
Townhouse Way, Las Vegas, Nev. 89121

[**] Term: **14 Years**

[21] Appl. No.: **75,748**

[22] Filed: **Aug. 22, 1997**

[51] **LOC (6) Cl.** **06-01**

[52] **U.S. Cl.** **D6/349; D6/480; D6/485**

[58] **Field of Search** **D6/480-489, 495-497,**
D6/429, 349, 353, 355; 108/153, 155, 156,
161; 248/188.1, 188.8

[56] **References Cited**

U.S. PATENT DOCUMENTS

D. 139,325	10/1944	Gass	D6/349
D. 213,704	4/1969	Barghout	D6/485
D. 228,857	10/1973	Allsop	D6/480

OTHER PUBLICATIONS

Brill Pine, p.5.

Primary Examiner—Janice E. Seeger
Attorney, Agent, or Firm—Quirk & Tratos

[57] **CLAIM**

The ornamental design for a stool, as shown and described.

DESCRIPTION

FIG. 1 is a top perspective view of the stool of the present invention;

FIG. 2 is a side plan view of the stool the opposite side being identical thereto;

FIG. 3 is a right side view of the stool the left side being identical thereto;

FIG. 4 is a bottom view of the stool; and,

FIG. 5 is a top view of the stool.

1 Claim, 3 Drawing Sheets

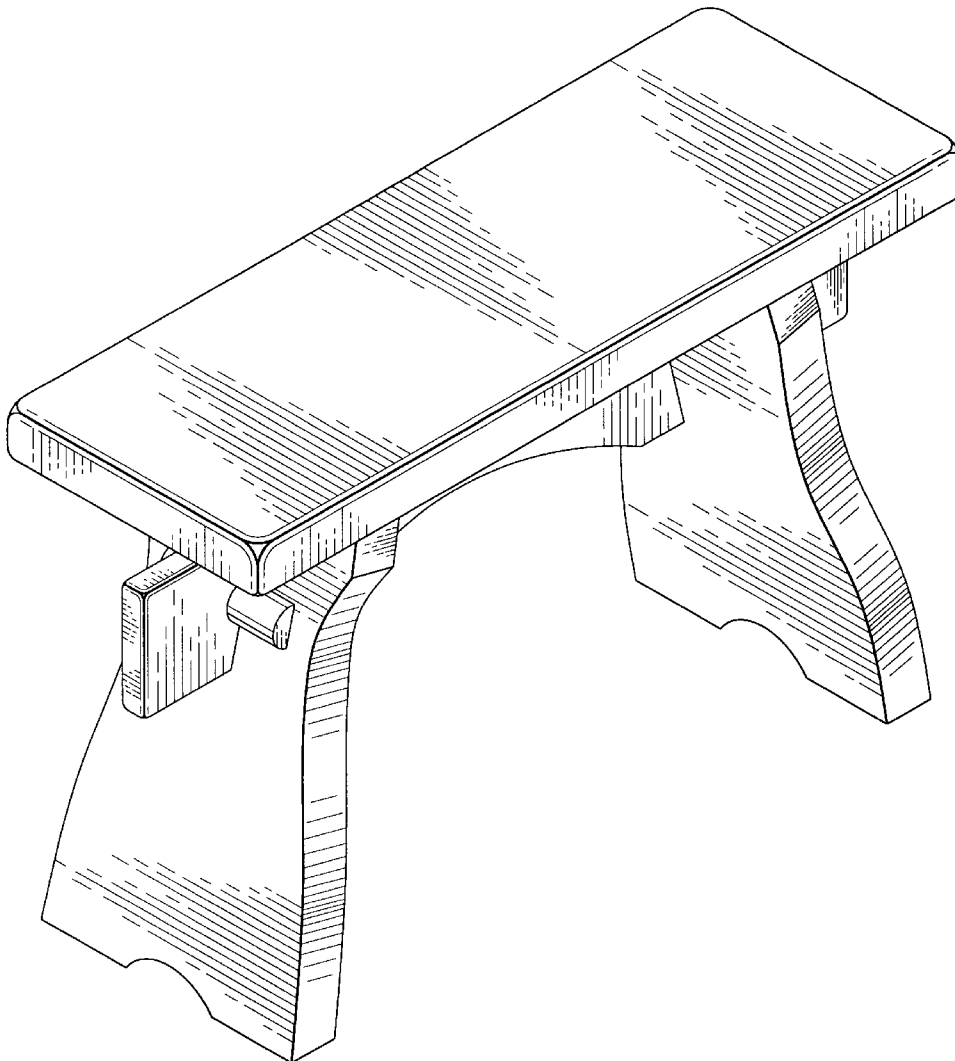


FIG. 1

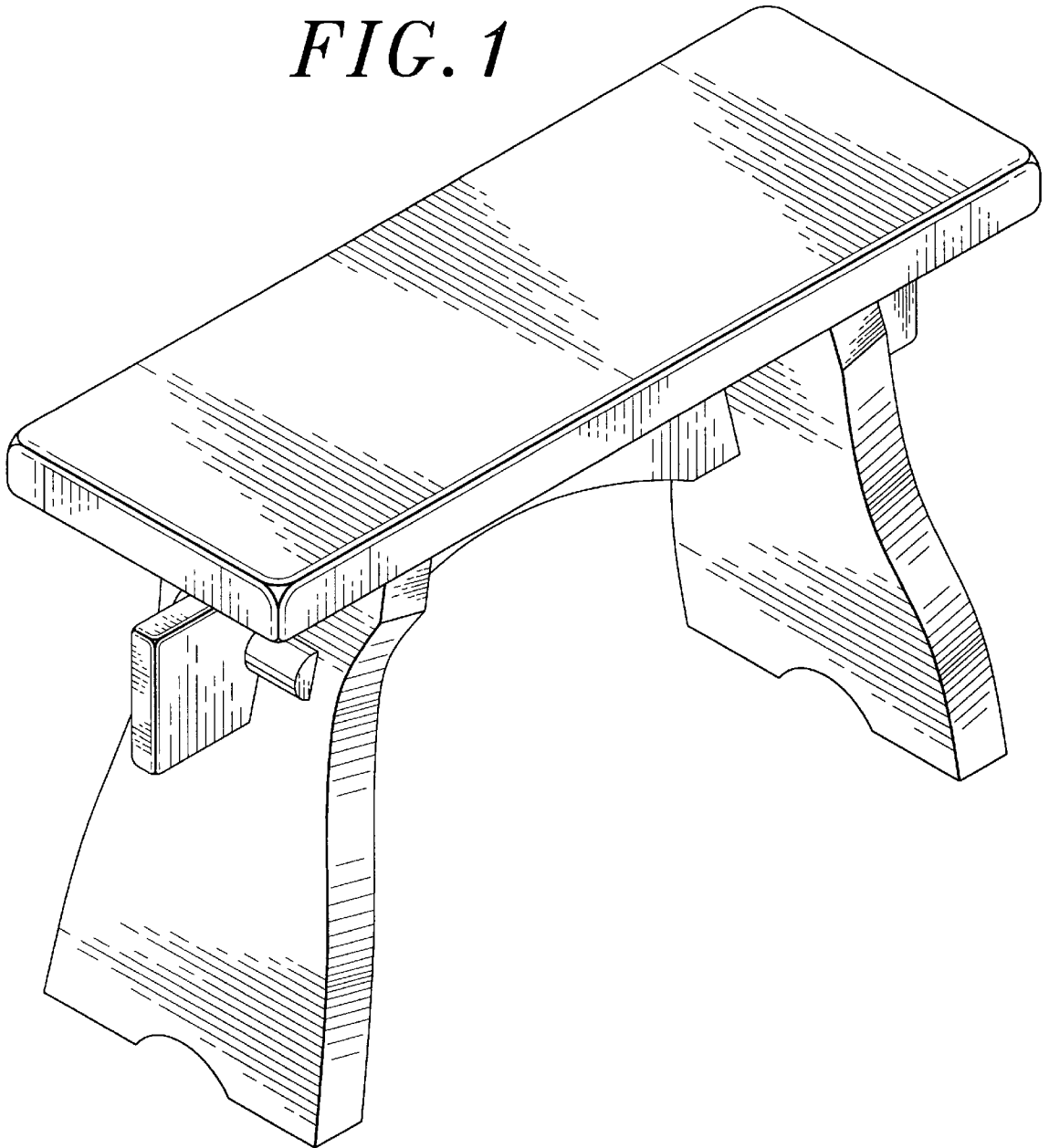


FIG. 3

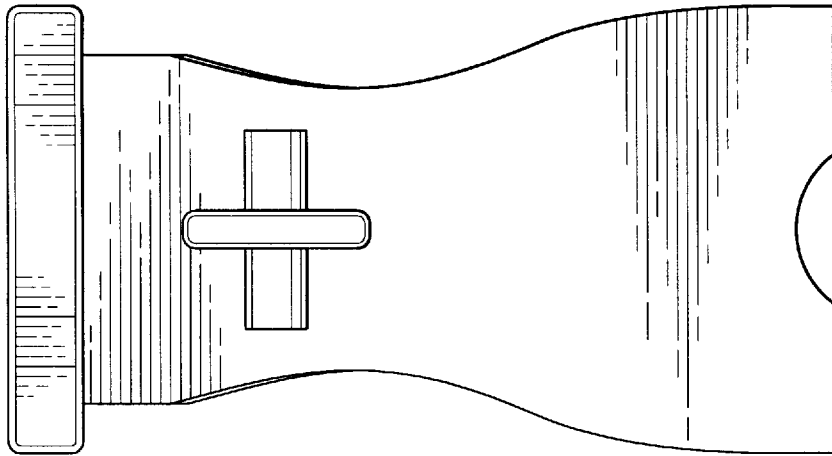


FIG. 2

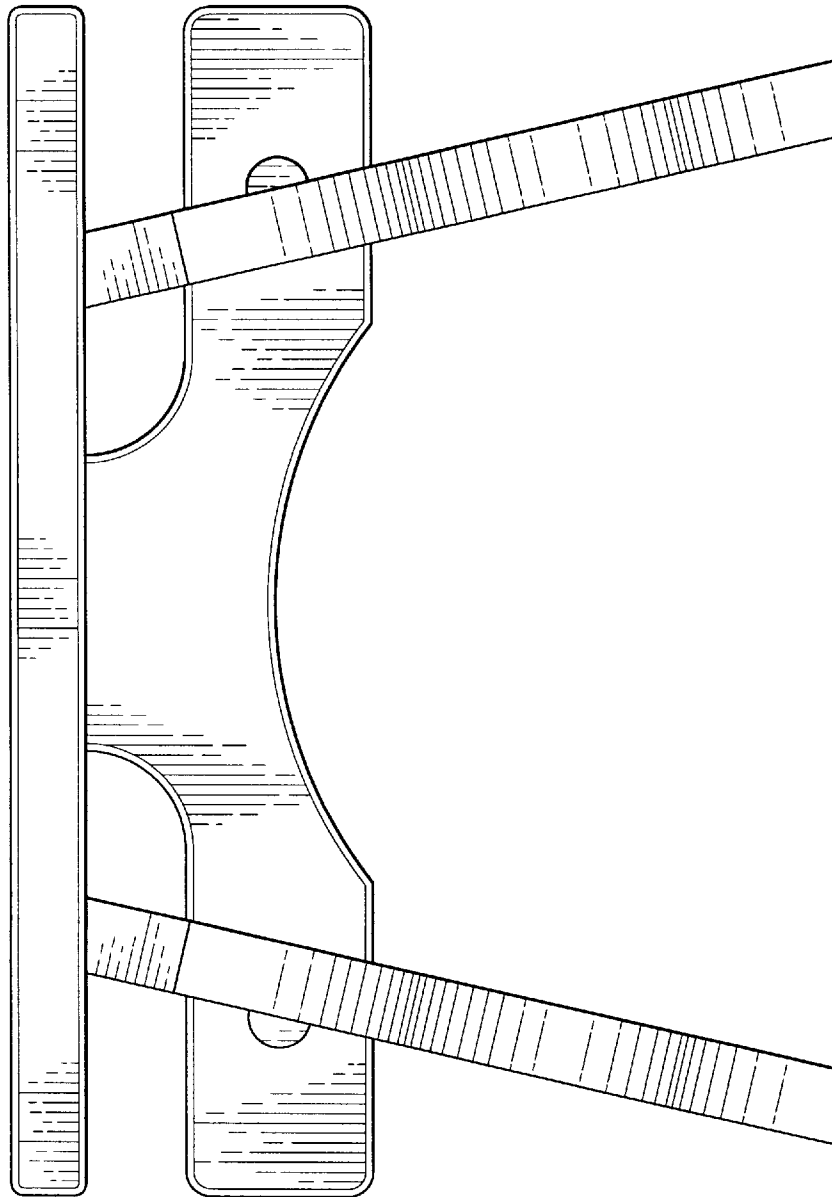


FIG. 4



FIG. 5

