



US00D770010S

(12) **United States Design Patent**
Poindexter et al.

(10) **Patent No.:** **US D770,010 S**

(45) **Date of Patent:** **** *Oct. 25, 2016**

(54) **WATER FILTER PITCHER**

(71) Applicant: **Helen of Troy Limited**, St. Michael (BB)

(72) Inventors: **Michael Poindexter**, New York, NY (US); **Thomas Dooley**, Hoboken, NJ (US); **Steven Dibdin**, Bloomfield, NJ (US)

(73) Assignee: **Helen of Troy Limited**, St. Michael (BB)

(*) Notice: This patent is subject to a terminal disclaimer.

(**) Term: **15 Years**

(21) Appl. No.: **29/526,841**

(22) Filed: **May 13, 2015**

(51) **LOC (10) Cl.** **23-01**

(52) **U.S. Cl.**
USPC **D23/209**

(58) **Field of Classification Search**
USPC D23/207, 209; D7/400, 316, 317, 318; 210/232, 282, 244, 238
CPC C02F 1/003; B01D 35/30
See application file for complete search history.

(56) **References Cited**

U.S. PATENT DOCUMENTS

D398,184 S	9/1998	Silverberg et al.	
D440,110 S	4/2001	Tanner et al.	
D444,843 S *	7/2001	Hilgers	D23/207
6,649,045 B2	11/2003	Tanner et al.	
D520,597 S *	5/2006	Witte	D23/209
D574,924 S *	8/2008	Horiuchi	D23/209
D576,250 S	9/2008	Born et al.	
D596,704 S	7/2009	Born et al.	
7,670,479 B2	3/2010	Arett et al.	
D616,694 S *	6/2010	Kulikov	D23/209

D639,102 S	6/2011	Harris et al.	
8,177,966 B2 *	5/2012	Wu	C02F 1/003 210/232
D677,360 S *	3/2013	Sheppard	D23/209

(Continued)

OTHER PUBLICATIONS

U.S. Appl. No. 29/526,839, filed May 13, 2015.
(Continued)

Primary Examiner — Robin V Webster
(74) *Attorney, Agent, or Firm* — Ulmer & Berne LLP

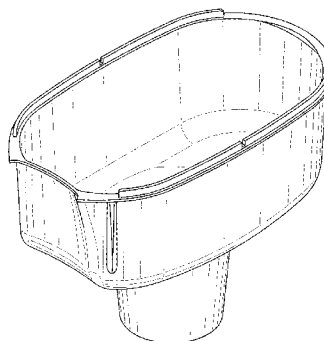
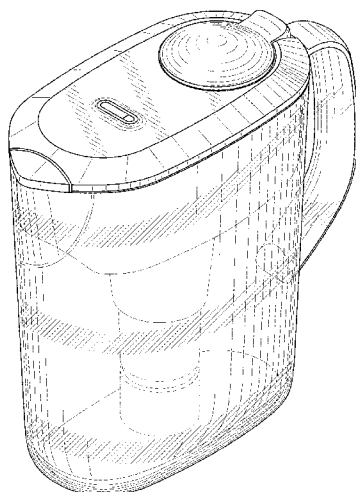
(57) **CLAIM**

The ornamental design of a water filter pitcher, as shown and described.

DESCRIPTION

FIG. 1 is an isometric view of a water filter pitcher illustrating our new design;
FIG. 2 is a right side elevational view thereof;
FIG. 3 is a left side elevational view thereof;
FIG. 4 is a front elevational view thereof;
FIG. 5 is a back elevational view thereof;
FIG. 6 is a top planar view thereof;
FIG. 7 is a bottom planar view thereof;
FIG. 8 is a cross-sectional side elevational view thereof, taken along line 8-8 of FIG. 6;
FIG. 9 is an isometric view of an unfiltered water housing of the water filter pitcher of FIG. 1, illustrating the unfiltered water housing removed from the water filter pitcher;
FIG. 10 is a right side elevational view thereof;
FIG. 11 is a left side elevational view thereof;
FIG. 12 is a front elevational view thereof;
FIG. 13 is a back elevational view thereof;
FIG. 14 is a top planar view thereof;
FIG. 15 is a bottom planar view thereof; and,
FIG. 16 is a cross-sectional side elevational view thereof, taken along line 16-16 of FIG. 14.
The broken lines form no part of the claimed design.

1 Claim, 12 Drawing Sheets



(56)

References Cited

OTHER PUBLICATIONS

U.S. PATENT DOCUMENTS

U.S. Appl. No. 29/526,845, filed May 13, 2015.
U.S. Appl. No. 29/526,848, filed May 13, 2015.

8,413,844 B2 4/2013 Arett et al.
D740,916 S * 10/2015 Doi D23/207

* cited by examiner

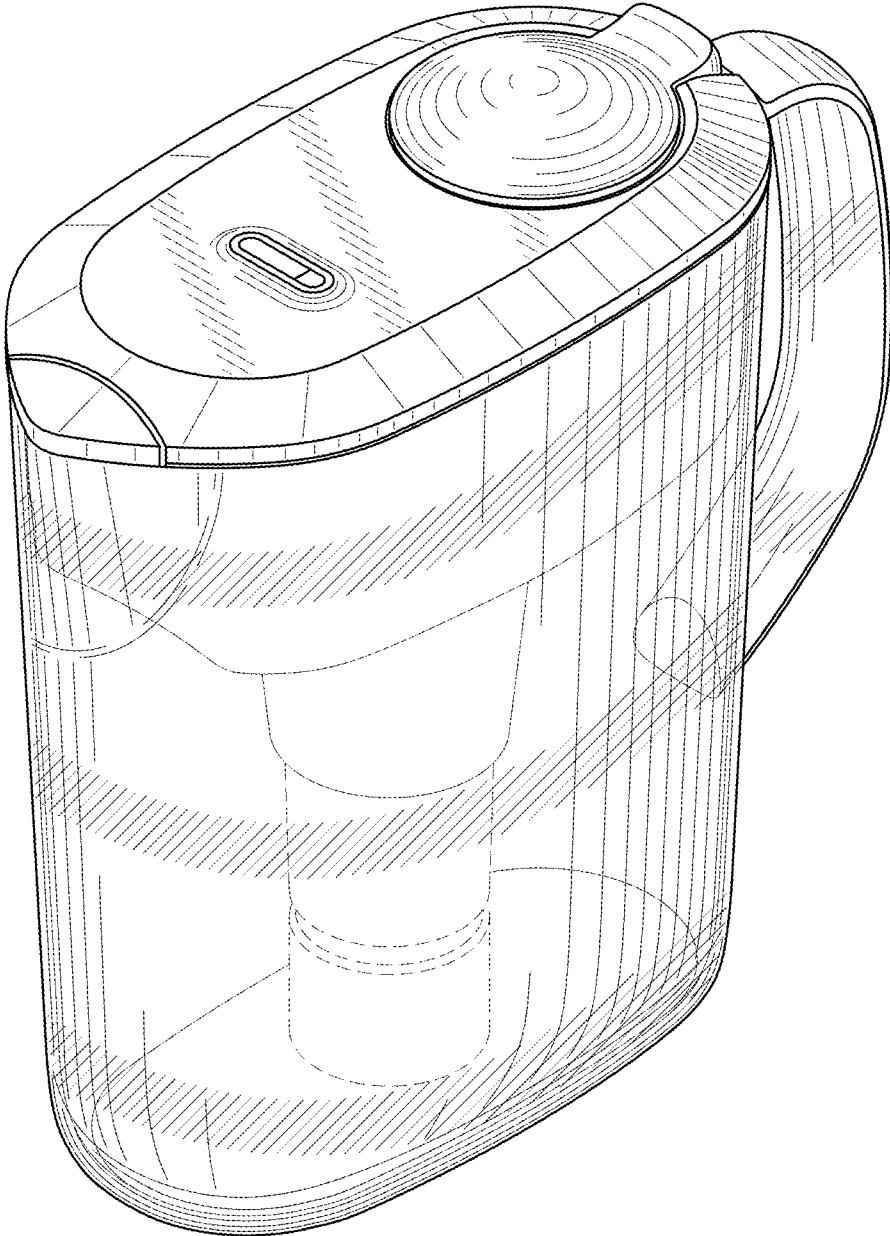


FIG. 1

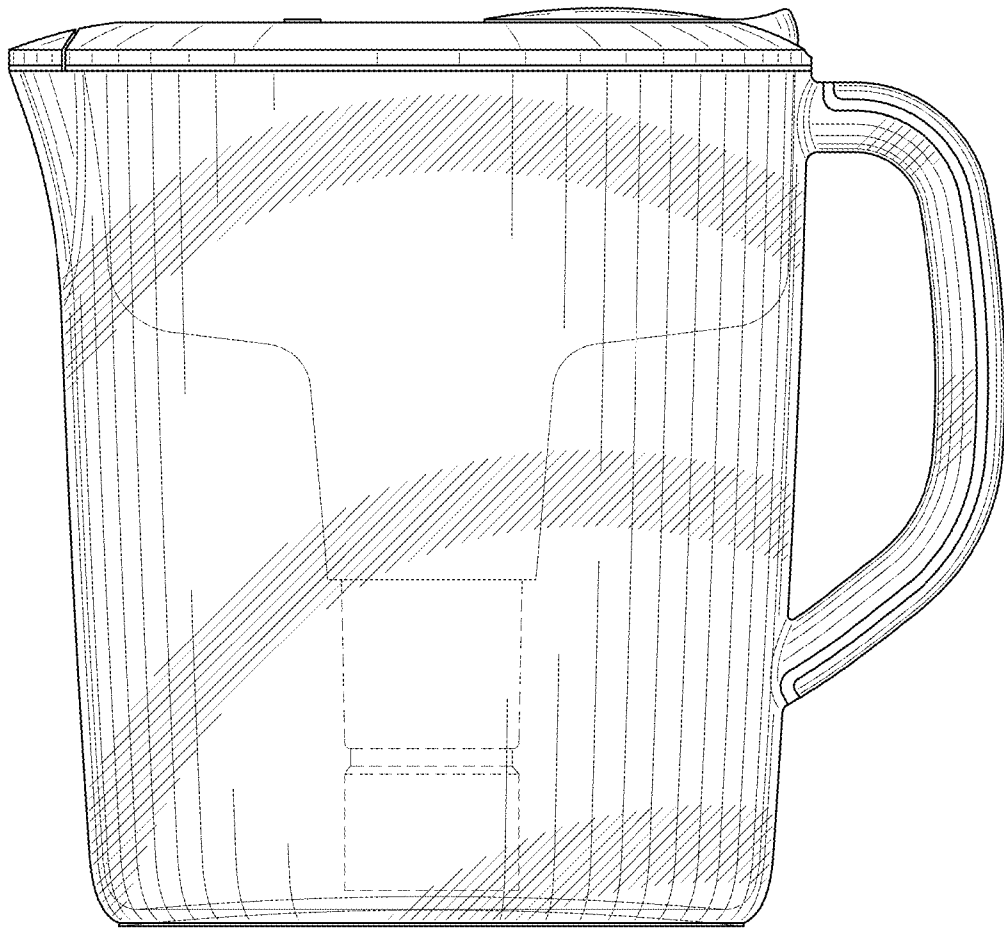


FIG. 2

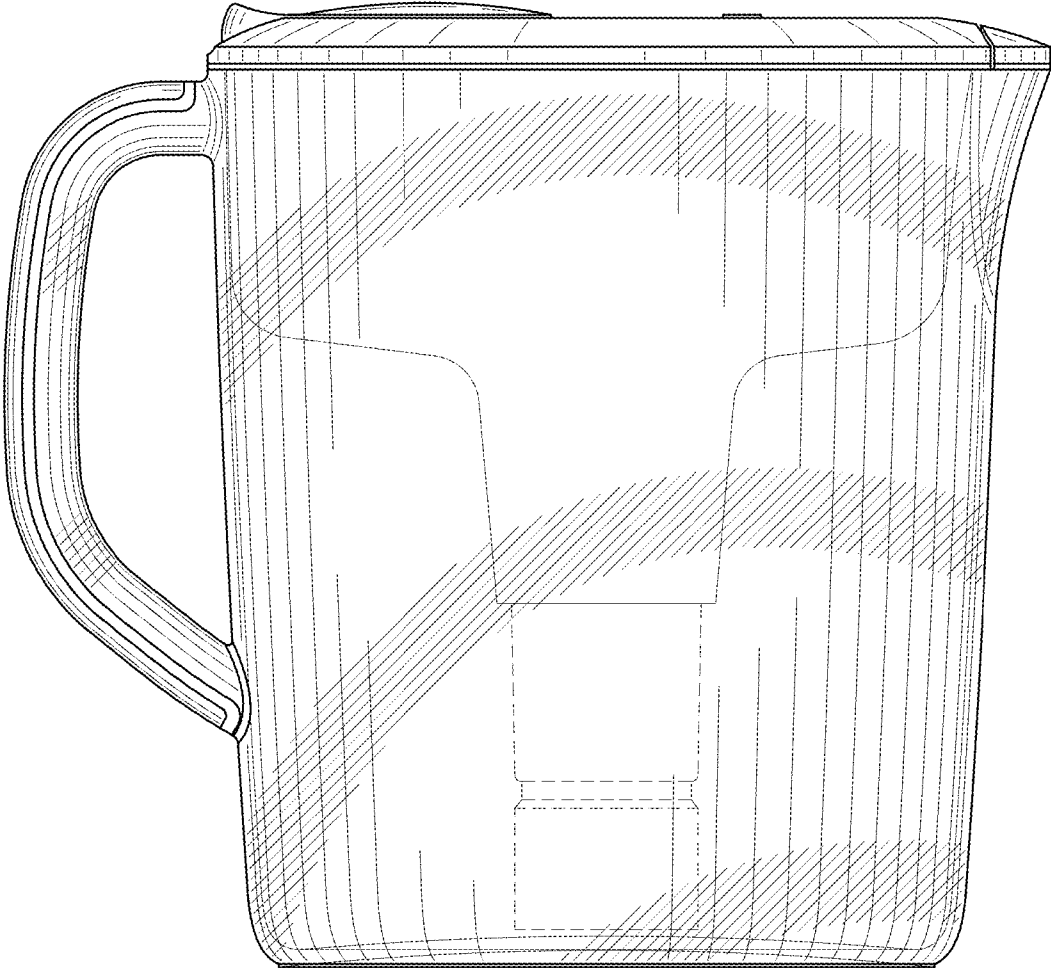


FIG. 3

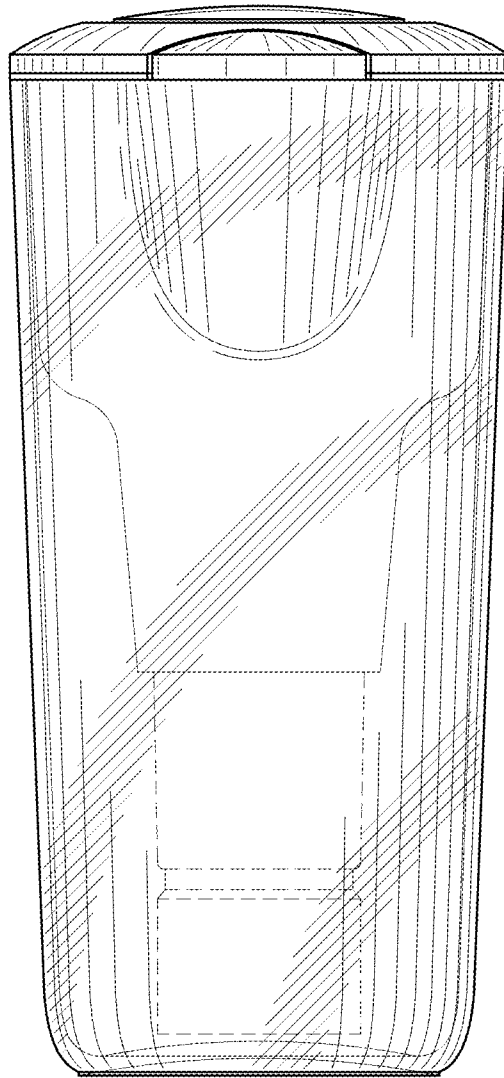


FIG. 4

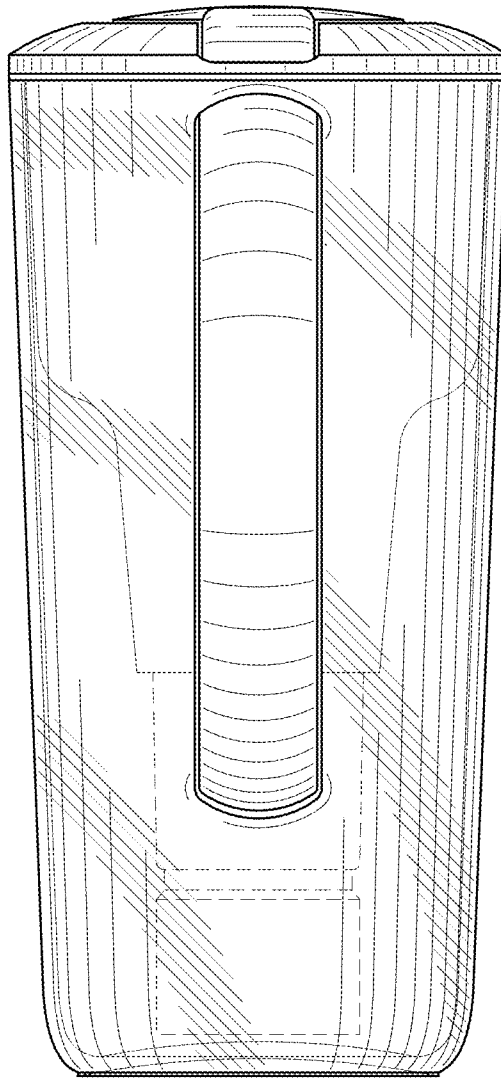


FIG. 5

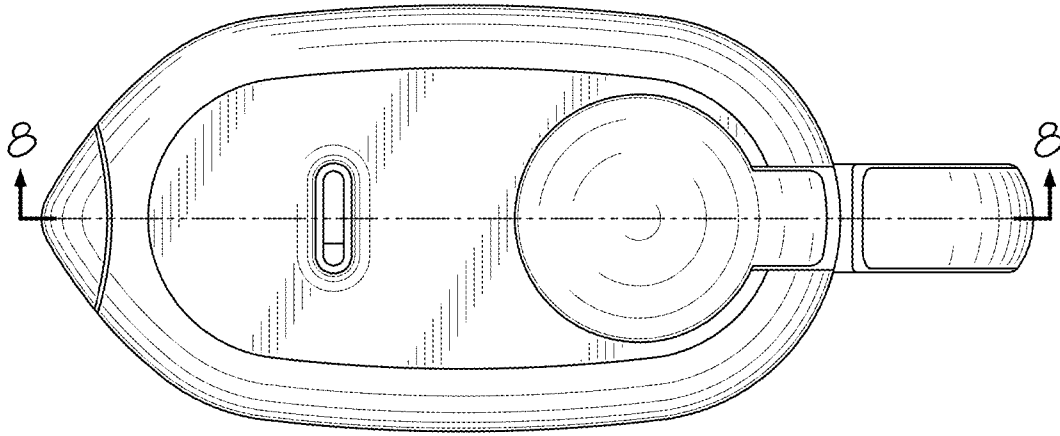


FIG. 6

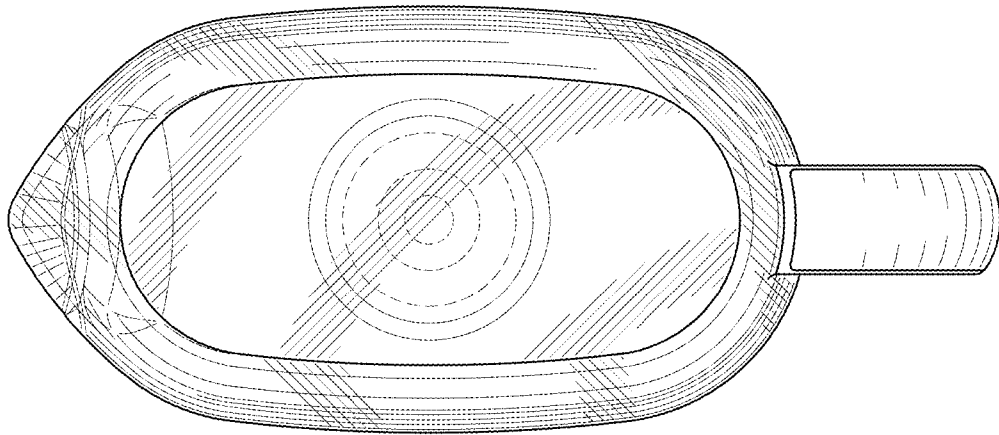


FIG. 7



FIG. 8

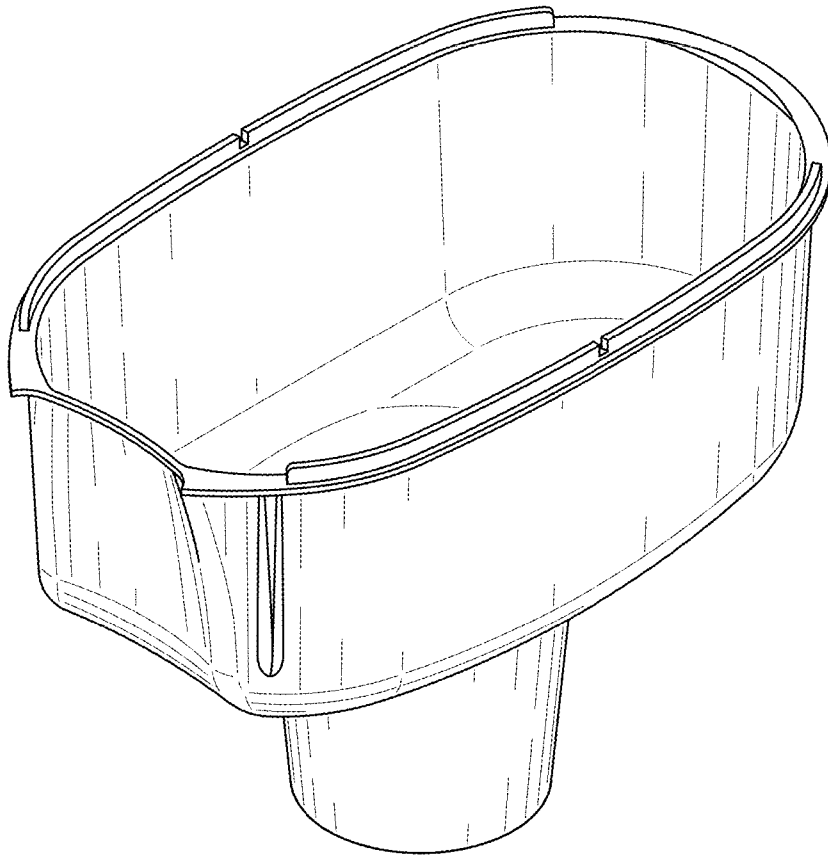


FIG. 9

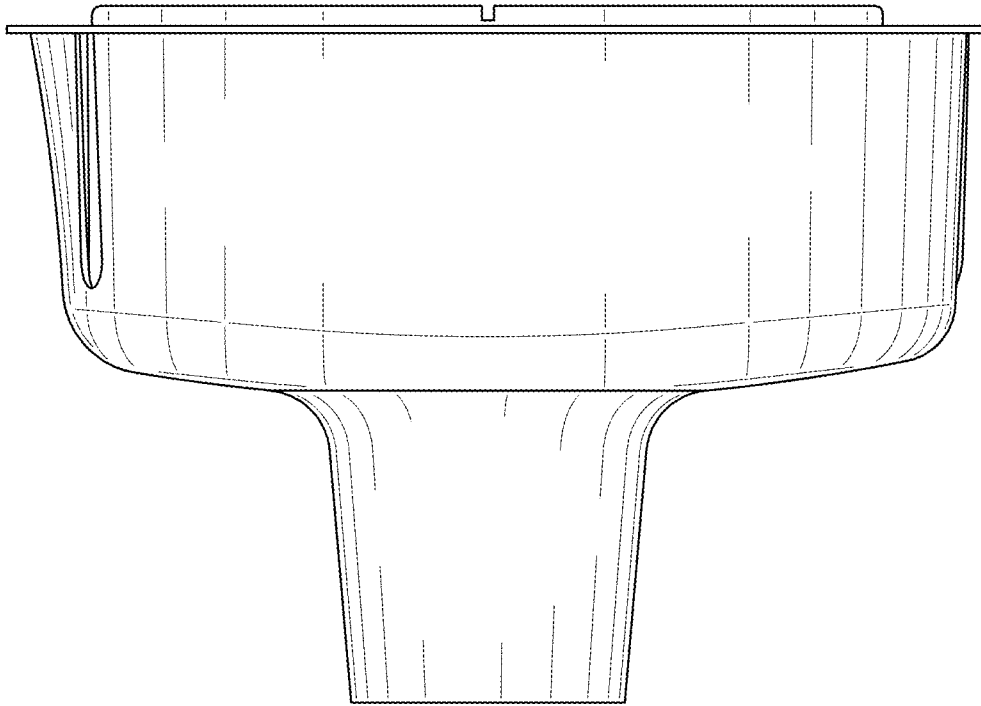


FIG. 10

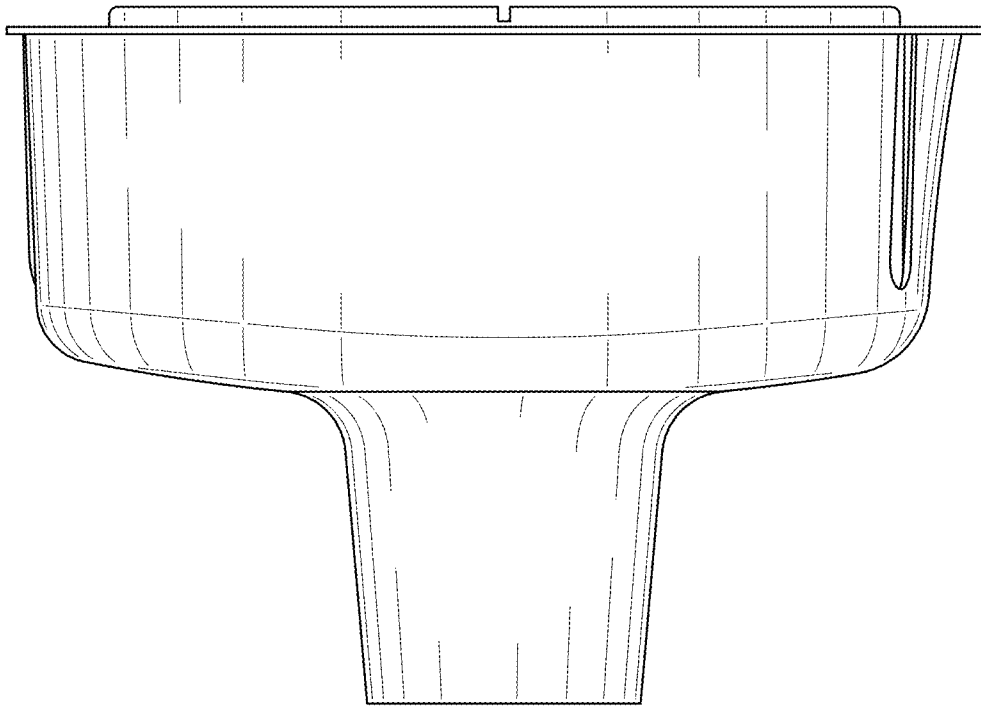


FIG. 11

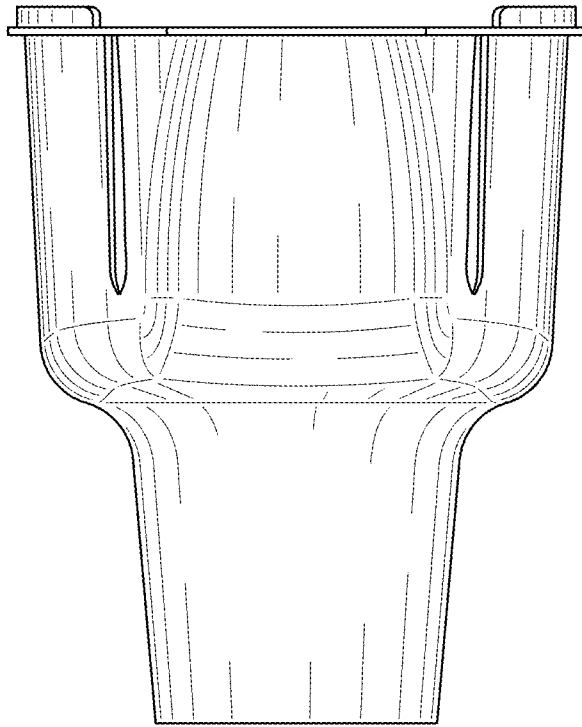


FIG. 12

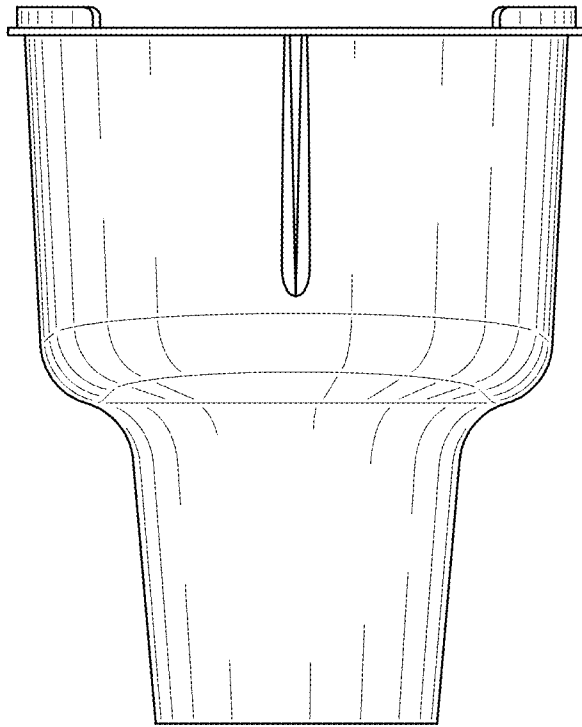


FIG. 13

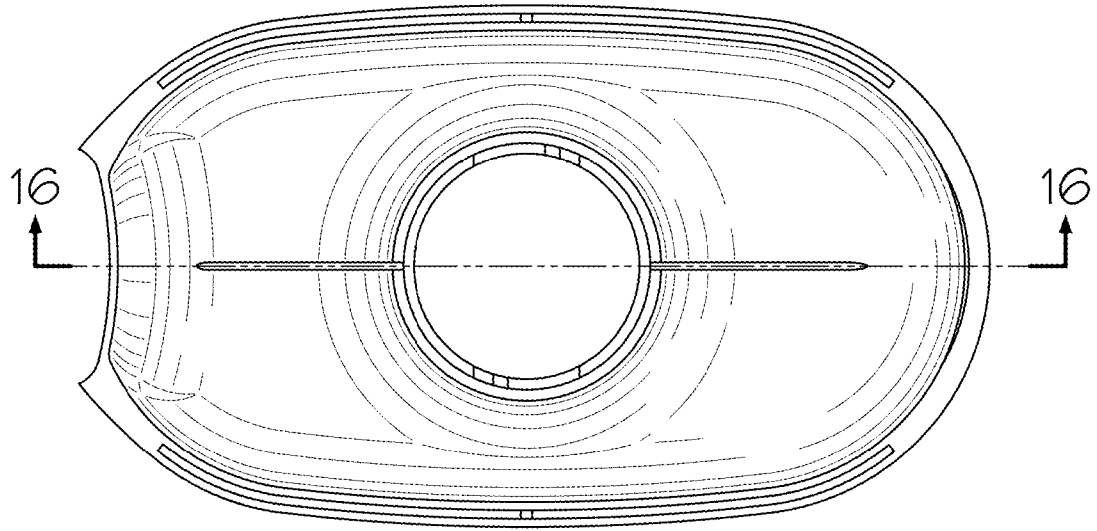


FIG. 14

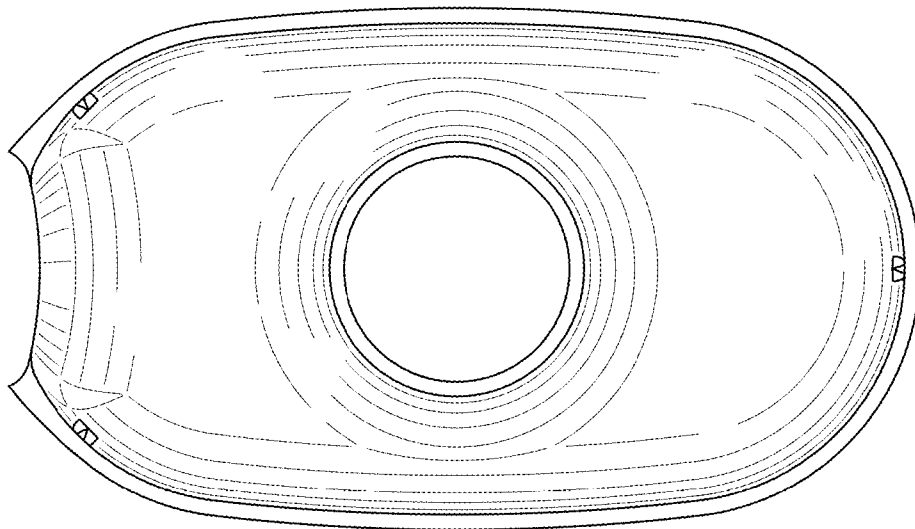


FIG. 15

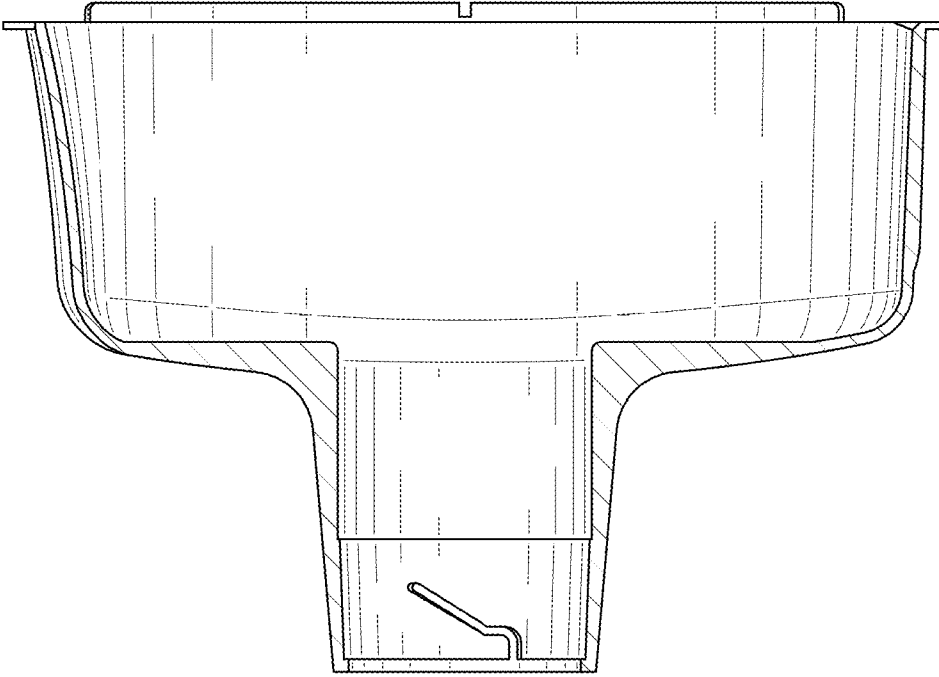


FIG. 16