



US00D653241S

(12) **United States Design Patent**  
**Lee et al.**

(10) **Patent No.:** **US D653,241 S**  
(45) **Date of Patent:** **\*\* Jan. 31, 2012**

(54) **HEADPHONE**

(75) Inventors: **Noel Lee**, Las Vegas, NV (US);  
**Kendrew Lee**, Tsing Yi (HK); **Jacky Hsiung**, San Jose, CA (US); **Li Hoi Yee**, Tsuen Wan (HK); **Jolie Clemens**, Santa Ana, CA (US)

(73) Assignee: **Monster Cable Products, Inc.**, Brisbane, CA (US)

(\*\*) Term: **14 Years**

(21) Appl. No.: **29/369,184**

(22) Filed: **Sep. 3, 2010**

(51) **LOC (9) Cl.** ..... **14-01**

(52) **U.S. Cl.** ..... **D14/223**

(58) **Field of Classification Search** ..... D14/205,  
D14/206, 223, 207; 181/129, 130, 131; 381/380,  
381/381; 379/430, 433.01; 455/90.3, 575.1,  
455/569.1; D21/361, 649, 577, 593, 594,  
D21/621, 630, 633, 588; 24/102 P, 113 MP,  
24/3.12, 561, 115 R; 36/112, 136; 63/18,  
63/20

See application file for complete search history.

(56) **References Cited**

**U.S. PATENT DOCUMENTS**

2,667,004	A	*	1/1954	Sanson	.....	24/106
3,377,819	A	*	4/1968	Joy et al.	.....	63/31
3,605,438	A	*	9/1971	Chalson	.....	63/20
D259,203	S	*	5/1981	Goldfarb et al.	.....	D21/649
D326,523	S	*	5/1992	Chen et al.	.....	D24/197
D327,268	S	*	6/1992	Anstin	.....	D14/192
D333,659	S	*	3/1993	Williams	.....	D14/205
D336,299	S	*	6/1993	Darovic	.....	D14/205
D357,916	S	*	5/1995	Covington	.....	D14/205
D371,639	S	*	7/1996	Schmitt	.....	D29/112
D383,136	S	*	9/1997	Leifer	.....	D14/223
5,673,501	A	*	10/1997	Mathews	.....	36/136
D405,722	S	*	2/1999	Ayoub	.....	D11/162
D506,791	S	*	6/2005	Germano	.....	D21/648

D557,687	S	*	12/2007	Eisenbraun et al.	.....	D14/223
7,389,567	B2	*	6/2008	Rogers et al.	.....	24/113 R
7,536,156	B2	*	5/2009	Tischer et al.	.....	455/90.3
D594,441	S		6/2009	Lee et al.		
D598,901	S		8/2009	Lee et al.		
D599,781	S		9/2009	Lee et al.		
D600,675	S		9/2009	Lee et al.		
D645,021	S	*	9/2011	Lee et al.	.....	D14/205

\* cited by examiner

*Primary Examiner* — Paula Greene

(74) *Attorney, Agent, or Firm* — LaRiviere, Grubman & Payne, LLP

(57) **CLAIM**

The ornamental design for a headphone, as shown and described.

**DESCRIPTION**

FIG. 1 is a perspective view of a headphone, showing our design;

FIG. 2 is an opposing perspective view thereof;

FIG. 3 is a front view thereof;

FIG. 4 is a back view thereof;

FIG. 5 is a side view thereof;

FIG. 6 is an opposing side view thereof;

FIG. 7 is a top view thereof;

FIG. 8 is a bottom view thereof;

FIG. 9 is a perspective view of another embodiment of the headphone of FIG. 1;

FIG. 10 is an opposing perspective view of another embodiment of the headphone of FIG. 9;

FIG. 11 is a front view of the embodiment of FIG. 9;

FIG. 12 is a rear view of the embodiment of FIG. 9;

FIG. 13 is a side view of the embodiment of FIG. 9;

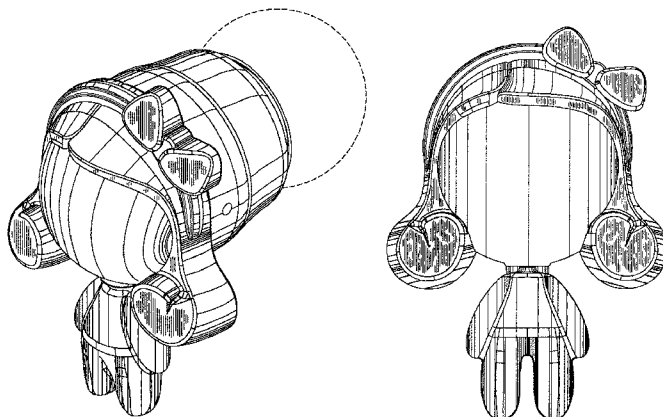
FIG. 14 is an opposing side view of the embodiment of FIG. 9;

FIG. 15 is a top view of the embodiment of FIG. 9; and,

FIG. 16 is a bottom view of the embodiment of FIG. 9.

The broken lines showing the environment are for illustrative purposes only and form no part of the claimed design.

**1 Claim, 6 Drawing Sheets**



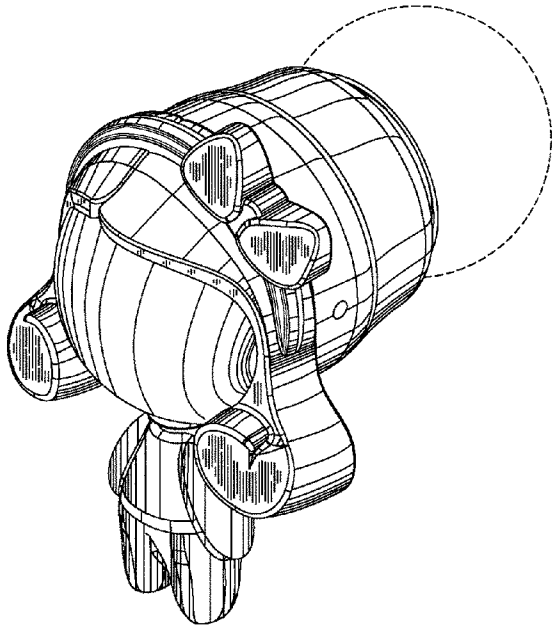


Figure 1

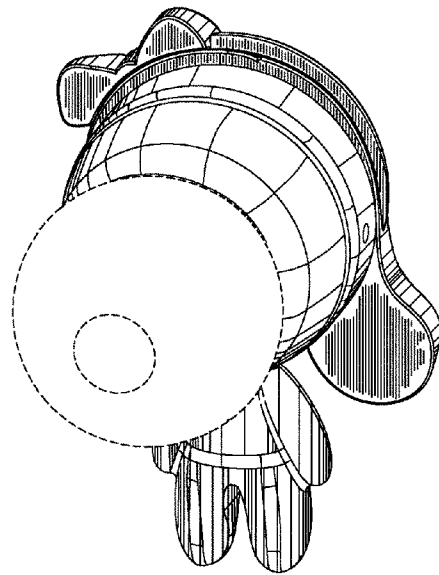


Figure 2

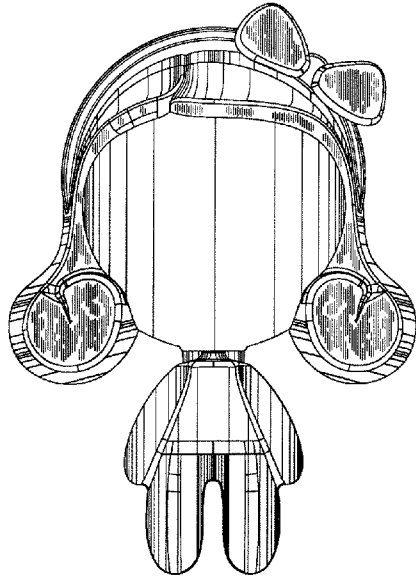


Figure 3

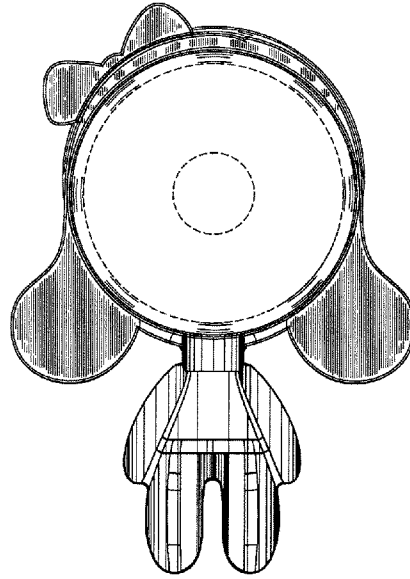


Figure 4

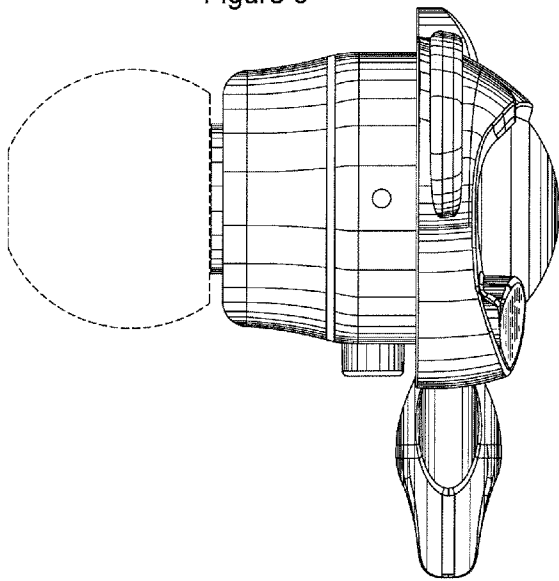


Figure 5

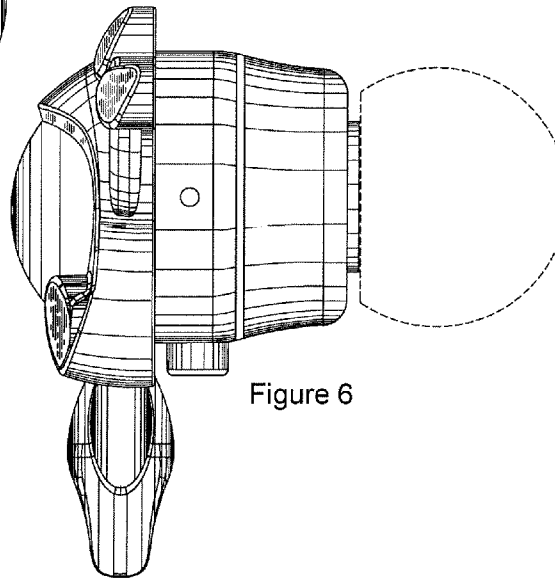


Figure 6

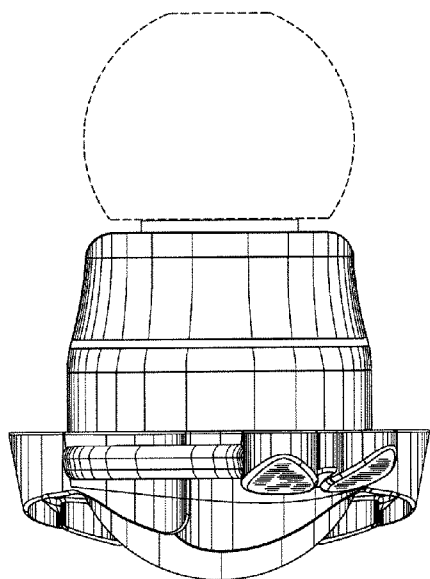


Figure 7

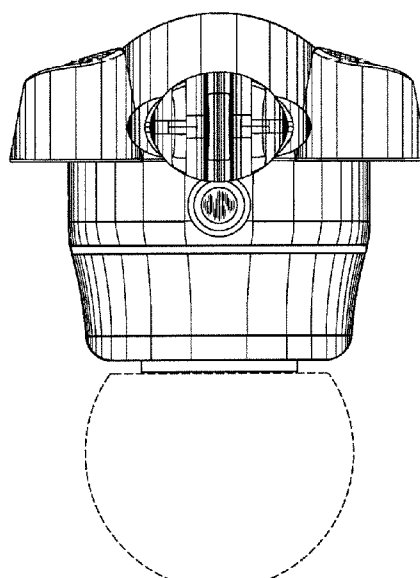


Figure 8

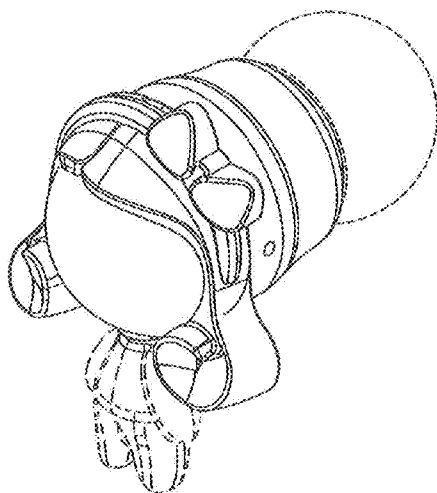


Figure 9

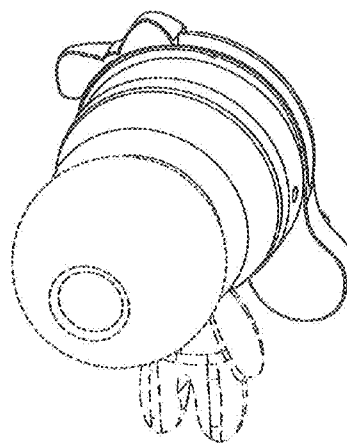


Figure 10

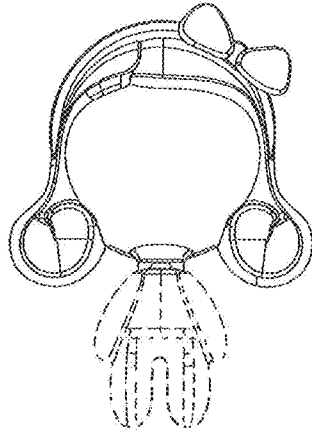


Figure 11

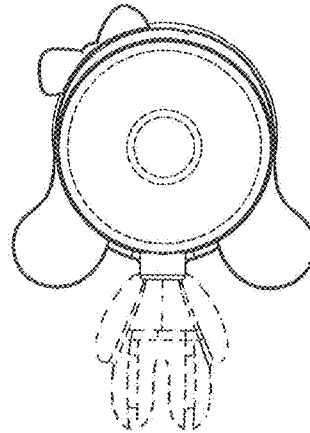


Figure 12

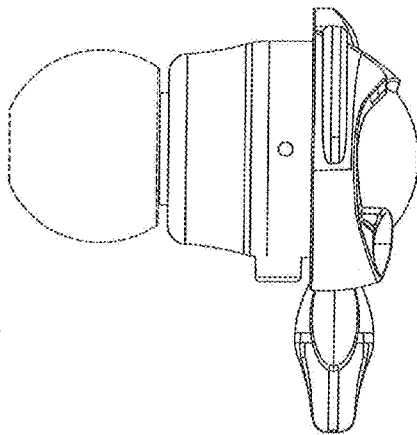


Figure 13

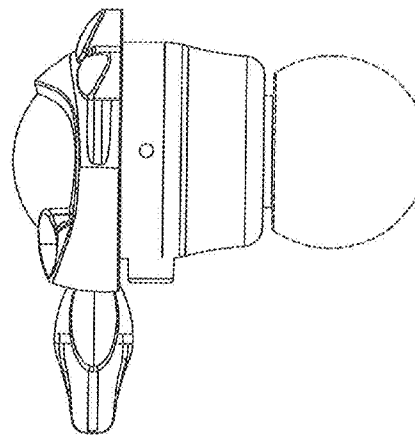


Figure 14

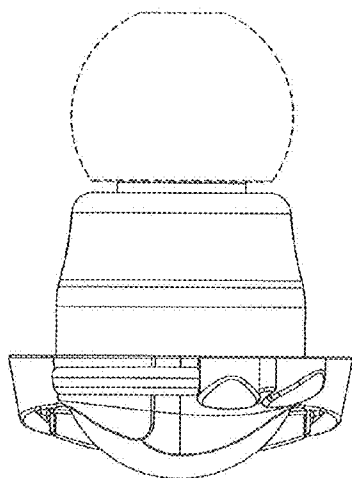


Figure 15

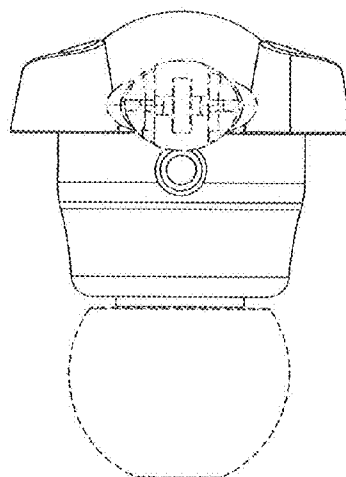


Figure 16