

(19) World Intellectual Property Organization
International Bureau



(43) International Publication Date
23 December 2004 (23.12.2004)

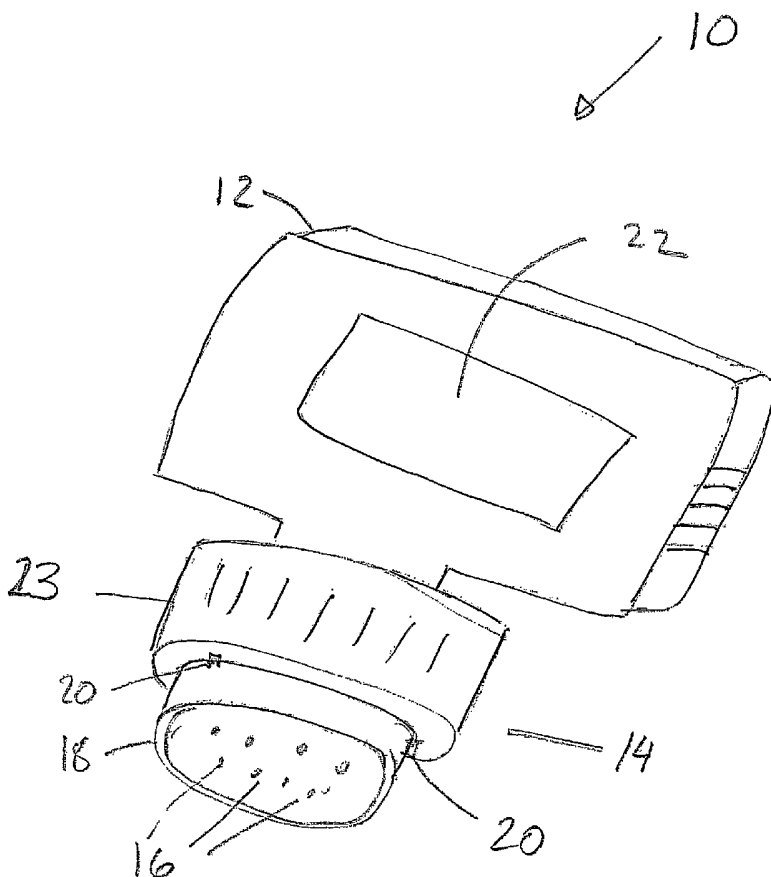
PCT

(10) International Publication Number
WO 2004/111567 A2

- (51) International Patent Classification⁷: **F42B**
- (21) International Application Number: PCT/IL2004/000509
- (22) International Filing Date: 9 June 2004 (09.06.2004)
- (25) Filing Language: English
- (26) Publication Language: English
- (30) Priority Data: 156468 16 June 2003 (16.06.2003) IL
- (71) Applicant (for all designated States except US): **RAFAEL - ARMAMENT DEVELOPMENT AUTHORITY LTD.** [IL/IL]; P.O.Box 2250, 31021 Haifa (IL).
- (72) Inventor; and
- (75) Inventor/Applicant (for US only): **BLEIMAN, Jacob** [IL/IL]; 6 Hashayara, 26263 Kiryat Haim (IL).
- (74) Agent: **FRIEDMAN, Mark**; 7 Haomanim St., 67897 Tel Aviv (IL).
- (81) Designated States (unless otherwise indicated, for every kind of national protection available): AE, AG, AL, AM, AT, AU, AZ, BA, BB, BG, BR, BW, BY, BZ, CA, CH, CN, CO, CR, CU, CZ, DE, DK, DM, DZ, EC, EE, EG, ES, FI, GB, GD, GE, GH, GM, HR, HU, ID, IL, IN, IS, JP, KE, KG, KP, KR, KZ, LC, LK, LR, LS, LT, LU, LV, MA, MD, MG, MK, MN, MW, MX, MZ, NA, NI, NO, NZ, OM, PG, PH, PL, PT, RO, RU, SC, SD, SE, SG, SK, SL, SY, TJ, TM, TN, TR, TT, TZ, UA, UG, US, UZ, VC, VN, YU, ZA, ZM, ZW.
- (84) Designated States (unless otherwise indicated, for every kind of regional protection available): ARIPO (BW, GH, GM, KE, LS, MW, MZ, NA, SD, SL, SZ, TZ, UG, ZM, ZW), Eurasian (AM, AZ, BY, KG, KZ, MD, RU, TJ, TM), European (AT, BE, BG, CH, CY, CZ, DE, DK, EE, ES, FI, FR, GB, GR, HU, IE, IT, LU, MC, NL, PL, PT, RO, SE, SI,

[Continued on next page]

(54) Title: MISSION CARTRIDGE



(57) Abstract: A mission cartridge and a weapon for attacking a target are disclosed. The mission cartridge, a memory unit associated with a connector element, contains information such as mission data. The connector element of the mission cartridge is mated to a matching connector element on the weapon body. Once mated, an on-board computer of the weapon uses information from the memory unit to attack the target or records flight data to the mission cartridge.

WO 2004/111567 A2



SK, TR), OAPI (BF, BJ, CF, CG, CI, CM, GA, GN, GQ,
GW, ML, MR, NE, SN, TD, TG).

For two-letter codes and other abbreviations, refer to the "Guidance Notes on Codes and Abbreviations" appearing at the beginning of each regular issue of the PCT Gazette.

Published:

— *without international search report and to be republished upon receipt of that report*

MISSION CARTRIDGE

FIELD AND BACKGROUND OF THE INVENTION

The present invention relates to munitions and in particular to a mission
5 cartridge for smart weapons.

Increasingly weapon systems deliver weapons equipped with on-board
computers. Such weapons include, but are not limited to, missiles and smart bombs.
The on-board computers allow execution of relatively complex and data-dependent
missions.

10 One method of supplying the required mission data to the on-board computer
of a weapon is transmission of the required data after launch of the weapon, for
example, transmission by an operator. This method is most suitable for supplying a
weapon with real-time mission data. Weapons using this method are susceptible to in-
flight neutralization by jamming of the data transmission.

15 Another method of supplying mission data to the on-board computer of a
weapon is the downloading of all mission information from the weapon control
system to the individual weapon proximately to the actual use of the weapon. For
example, a pilot of an airplane downloads mission data such as target coordinates
during flight or proximately to the moment of weapon launch. One weakness of this
20 method is that often the amount of data that needs be transferred to a weapon system
is quite large. An alternative is that as the weapon is loaded onto the launch platform,
mission data is downloaded onto on-board storage media associated with the on-board
computer. The greatest disadvantage of such a method is that intelligence and
command assets are exposed to interception or may be otherwise compromised.

- 2 -

A known disadvantage of weapons equipped with on-board computers is the difficulty in keeping the software (Operation Flight Program, OPF) up to date. As with any complex software, continuous development and improvement means that updated versions appear in the time scale of months. As a result any given OPF quickly
5 becomes outdated. In a military environment where large numbers of weapons are stored for extended periods of time, it is logistically complex and practically difficult to update and maintain all weapons at the most recent OPF version.

It would be highly advantageous to have a robust and safe method for supplying mission data to munitions. It would also be highly advantageous to have a
10 convenient method of ensuring that weapon software, such as OPF, will be of a most updated version when used.

SUMMARY OF THE INVENTION

The above and other objectives are achieved by the method, the cartridge and
15 weapon provided by the present invention.

According to the teachings of the present invention there is provided a mission cartridge comprising a memory unit functionally associated with a connector element, that is, where the input and output channels of the memory unit are accessible through the connector element. The connector element is one part of a connector of which
20 many types are well known to one skilled in the art. Such connectors include but are not limited to bayonet type connectors, quick-release connectors and screw connectors. One specific connector is a 35-pin D38999/26WD35PN connector provided by, for example, Amphenol Inc. (Wallingford, Connecticut, USA).

- 3 -

Preferably information stored on the memory unit is randomly accessible (as opposed to serially accessible). Preferably the memory unit is a rewritable memory unit. According to a feature of the present invention the memory unit is a programmable memory unit such as flash-based data storage (for example, as
5 manufactured by M-Systems Ltd., Kfar Saba, Israel).

According to a feature of the present invention the memory unit stores mission data, an OPF or an OPF update.

According to a feature of the present invention, on the outer surface of the memory unit is a labeling area. The labeling area allows markings to be affixed or
10 otherwise brought in to the labeling area to allow differentiation of any two otherwise externally identical mission cartridges.

According to the teachings of the present invention there is also provided a weapon of the present invention. A weapon of the present invention comprises three parts.

15 The first part of the weapon of the present invention is the weapon body and includes a payload and an on-board computer functionally associated with a first connector element.

The second part of the weapon of the present invention is a mission cartridge (as described hereinabove) and includes a memory unit functionally associated with
20 second connector element. The first connector element and second connector element are configured to mate. Upon mating of the first and second connector elements, the memory unit and on-board computer are functionally associated, allowing the on-board computer to access information stored in the memory unit. According to a feature of the present invention, by access is meant that amongst other functions, the

- 4 -

on-board computer is configured to read information already stored in the memory unit. According to another feature of the present invention, by access is meant that amongst other functions, the on-board computer is configured to store information onto the memory unit.

5 The third part of the weapon of the present invention is a mission loader and includes a memory unit writer and a third connector element. The third connector element is configured to reversibly mate with the second connector element and is therefore substantially similar or substantially identical to the first connector element. Upon mating of the second and third connector elements, the memory unit and the
10 memory unit writer are functionally associated, allowing the memory writer to access the memory unit. According to a feature of the present invention, by access is meant that amongst other functions, the memory writer is configured to store information onto the memory unit. According to another feature of the present invention, by access is meant that amongst other functions, the memory writer is configured to read
15 information already stored in the memory unit.

 Preferably information written by the memory writer to be stored on the memory unit, and thereafter used by the on-board computer includes but is not necessarily limited to mission data, OPF or OPF updates. In some embodiments mission data, OPF or OPF updates are considered to be additional parts of the weapon
20 of the present invention.

 According to a feature of the weapon of the present invention, the on-board computer is also configured to record data, such as data acquired during flight, onto a mission cartridge with which there is a functional association through the respective connectors.

- 5 -

According to the teachings of the present invention there is also provided a method of attacking a target comprising a) providing a weapon of the present invention as described above; b) mating the second connector element with the third connector element; c) storing information (mission data, OPF or OPF updates) in the memory unit using the memory unit writer; d) detaching the second connector element from the third connector element; e) mating the second connector element with the first connector element; and f) the in-flight computer uses the information stored in the memory unit to attack the target.

BRIEF DESCRIPTION OF THE DRAWINGS

The invention is herein described, by way of example only, with reference to the accompanying drawings, where:

FIG. 1 is a schematic depiction of a mission cartridge of the present invention;

5 and

FIGS. 2 are a schematic depiction of a weapon of the present invention.

DESCRIPTION OF THE PREFERRED EMBODIMENTS

The present invention is a mission cartridge, a weapon and a method of using
10 the same. The principles and operation of the present invention are better understood with reference to the drawings and the accompanying description.

In Figure 1 is depicted a mission cartridge **10** of the present invention. Memory unit **12** is a flash-based data storage element contained within a protective casing. One skilled in the art is aware that flash-based data storage elements are
15 standard products that can be purchased in various sizes and with various data storage

- 6 -

capacities. The leads, ports and electrical connections of memory unit **12** pass through cartridge connector element **14** and are in electrically conductive connection to pins **16**. Cartridge connector element **14** is a male connector element of a 35-pin D38999/26WD35PN connector (Amphenol Inc., Wallingford, Connecticut, USA).

5 Apart from pins **16**, cartridge connector element **14** includes a rigid guide collar **18**, alignment tabs **20** and rotatably attached tightening collar **23**.

On the external surface of memory unit **12** is found labeling area **22**. Labelling area **22** in Figure 1 is a polymer surface on which a "permanent marker" can be used to write annotations.

10 In Figure 2 is depicted a weapon of the present invention.

In Figure 2A are depicted a mission cartridge **10** together with a mission loader **24**. Mission loader **24** includes a memory writer **26**; a loader connector element **28** in communication with memory writer **26** through cable **30**; an operation flight program storage unit **32** and a mission data storage unit **34** both in communication with
15 memory writer **26** through cables **36**.

In Figure 2A memory writer **26** is a computer provided with software and hardware allowing transfer and writing of information to a memory unit **12** of mission cartridge **10**.

Loader connector element **28**, not depicted in detail in Figure 2A, is a female
20 connector element of a 35-pin D38999/26WD35PN connector (Amphenol Inc., Wallingford, Connecticut, USA). As is known to one skilled in the art, loader connector element **28** is reversibly mateable to cartridge connector element **14** (as depicted in Figure 2A).

- 7 -

Operation flight program storage unit **32** is physically a hard disk drive and stores the most recent version and updates of the operation flight program (OFP) of a given weapon. Developers continuously upgrade and improve the OFP.

Mission data storage unit **34** is physically a hard disk drive and stores mission operational data for many missions. Mission operational data is continuously updated, improved and optimized for example as a result of intelligence, tactical or command decisions.

In Figure 2B is depicted mission cartridge **10** together with a weapon body **38**. Weapon body **38** is depicted in partial cut-out to expose the internal volume of weapon body **38** and components therein. Weapon body **38** includes an in-flight computer **40**; a payload **42** in communication with in-flight computer **40** through cable **44**; a control surface **46** in communication with in-flight computer **40** through cables **48**, and a weapon body connector element **50** in communication with in-flight computer **40** through cables **52**.

Weapon body connector element **50**, not depicted in detail in Figure 2B, is a female connector of a 35-pin D38999/26WD35PN connector (Amphenol Inc., Wallingford, Connecticut, USA). As is known to one skilled in the art, weapon body connector element **50** is reversibly mateable to cartridge connector element **14** (as depicted in Figure 2B).

In Figure 2B weapon body **38** is depicted attached to a wing **54** of an aircraft.

When it is decided to use a weapon of the present invention, for each individual weapon, a mission cartridge **10** is provided. Cartridge connector element **14** is mated to loader connector element **28**. In such a way, memory writer **26** is functionally associated with memory unit **12** of mission cartridge **10**. An operator uses

- 8 -

memory writer **26** to store a most recent or most appropriate OPF from operation flight program storage unit **32** to memory unit **12**. The operator also selects from the missions stored mission data storage unit **34** one or more mission operational data. The operational data of the selected mission or missions is stored by memory writer
5 **26** on memory unit **12**. Mission cartridge **10** is then disconnected from memory writer **26**. The operator preferably marks mission cartridge, for example by writing with a marker on labeling area **22**.

When it is necessary to perform a mission, an appropriately loaded mission cartridge **10** is selected. Cartridge connector element **14** is mated to weapon body
10 connector element **50**. In such a way, in-flight computer **40** is functionally associated with memory unit **12** of mission cartridge **10**. In-flight computer **40** is then activated to read and implement a most recent version of the OPF stored on mission cartridge **10**. When it is necessary to actually launch the weapon, the operator selects one of the missions stored on mission cartridge **10**. The corresponding mission operational data
15 is read from mission cartridge **10** and implemented by in-flight computer **40**. In-flight computer **40** uses control surface **46** to perform the mission properly, and when appropriate, to activate payload **42**.

In an embodiment of the present invention, a mission cartridge of the present invention, such as **10**, is used together with an appropriately modified weapon of the
20 present invention to record data, for example flight data acquired during training missions. Such a mission cartridge is substantially identical to that described above. However, appropriate modifications are made so as to allow writing or recording of data. This is most easily implemented by providing in-flight computer **40** with

- 9 -

appropriate software instructions. After mission cartridge **10** has been attached to weapon body connector element **50**, in-flight computer **40** writes the desired data during a flight. When the flight is over, and if mission cartridge **10** has not been destroyed (*e.g.* by actual use of the weapon to which mission cartridge **10** was
5 attached) mission cartridge **10** is detached and attached to a memory reader. The memory reader reads the flight data recorded on mission cartridge **10** for use. As is clear to one skilled in the art, a memory reader is substantially similar to memory writer **26** depicted in Figure 2A. In fact memory writer **26** can be considered a combined memory reader / writer for the purposes of the present invention. There is
10 thus no need for a more detailed description of a memory reader according to the present invention.

As is clear to one skilled in the art the present invention has many advantages.

When use is made of the present invention, there is no need to be concerned with the logistics of updating the OPF of any weapon system made in accordance with
15 the teachings of the present invention. Rather it is clear that every weapon launched uses the most recent or most up to date OPF available. Software updates are not done in the proximity of the weapon body which is generally unsafe, but at a safe location.

Mission operational data can be loaded onto mission cartridges at a location remote from where the weapons are armed. Combat crews need not be concerned with
20 detailed intelligence and the input of data. Intelligence and command units need not be exposed to unnecessary danger. Intelligence and operational decisions are not susceptible to interception.

Data is easily recorded from weapons and the weapons do not require significant modification for recording data. The same mission cartridge is used for

- 10 -

both recording flight data from a weapon and for providing a weapon with mission data, a clear logistic advantage.

The present invention simplifies logistics by using easily available standard connectors. The present invention is very robust and allows simple retrofitting to
5 existing weapons system. A mission cartridge of the present invention can be reused virtually endlessly and is very compact. Further a mission cartridge can more easily contain a plurality of missions due to the possibility of using random data-access.

An additional advantage of the instant invention is that upgrading of the mission cartridge itself is simple. An on-board computer and connector element of the
10 weapon body remain unchanged for years. However, the mission cartridge itself improves over the years and can continuously be changed as technology improves. The use of a standard connector allows this to be easily performed. One skilled in the art is aware that in the time scale of a few months improvements in memory unit
15 technology reduces prices, increases capacities and increases information access speeds. Using the present invention, these improvements are implemented in existing weapon bodies at a reasonable cost. More importantly, these improvements are logistically simple to implement, performed only at the moment of use and not in a weapons storage depot and the like.

The use of the present invention also allows the transfer and use of large
20 amounts of data. Information is stored onto a mission cartridge of the present invention spatially remotely from the weapon body and temporally remotely from the time of use, if so desired. At the same time, attachment of the cartridge to the weapon body is very quick, in the order of one or two seconds. Thereafter, loading of

- 11 -

information from the cartridge to the on-board computer of the weapon can occur automatically as other functions are performed. Thus the time required to transfer the required information has a negligible operational influence for virtually any amount of data. This is in contrast to methods known in the art where data transmission
5 bandwidth or data download time is significant and thus has operational significance and limits the amount of information that can be transferred.

While the invention has been described with respect to a limited number of embodiments, it will be appreciated that many variations, modifications and other applications of the invention may be made.

- 12 -

WHAT IS CLAIMED IS:

1. A mission cartridge comprising:

a) a memory unit; and

b) a connector element functionally associated with said memory unit

wherein stored in said memory unit is at least one of the information from the group consisting of flight data, mission data, operation flight program (OFP), or OFP updates.

2. The mission cartridge of claim 1 wherein said memory unit includes flash-based data storage.

3. The mission cartridge of claim 1 wherein on an outer surface of said memory unit is a labeling area.

4. A weapon comprising:

a) a weapon body having a payload and an on-board computer, said on-board computer functionally associated with a first connector element;

b) a mission cartridge having a memory unit for storing information and a second connector element, said second connector element configured to mate with said first connector element, said second connector element functionally associated with said memory unit; and

c) a mission loader having a memory unit writer for storing information in said memory unit and a third connector element, said third connector element configured to reversibly mate with said second connector element, said third connector element functionally associated with said memory unit writer

- 13 -

wherein when said first connector element and said second connector element are mated, said on-board computer and said memory unit are functionally associated; and wherein when said third connector element and said second connector element are mated, said mission loader and said memory unit are functionally associated.

5. The weapon of claim 4 further comprising information selected from the group consisting of mission data, operation flight program (OFP), or OFP updates, wherein said information is stored in at least on of the locations selected from the group consisting of said on-board computer and said memory unit.

6. The mission cartridge of claim 4 wherein said memory unit includes flash-based data storage.

7. The weapon of claim 4 wherein said on-board computer is further configured to record data onto said mission cartridge.

8. The weapon of claim 7 wherein said mission loader is configured to read said recorded flight data from said mission cartridge.

9. A method for attacking a target comprising:

- a) providing a weapon of claim 5;
- b) mating said second connector element with said third connector element;
- c) storing information in said memory unit using said memory unit writer;
- d) detaching said second connector element from said third connector element;
- e) mating said second connector element with said first connector element; and
- f) using said information stored in said memory unit to attack the target.

FIGURE 1

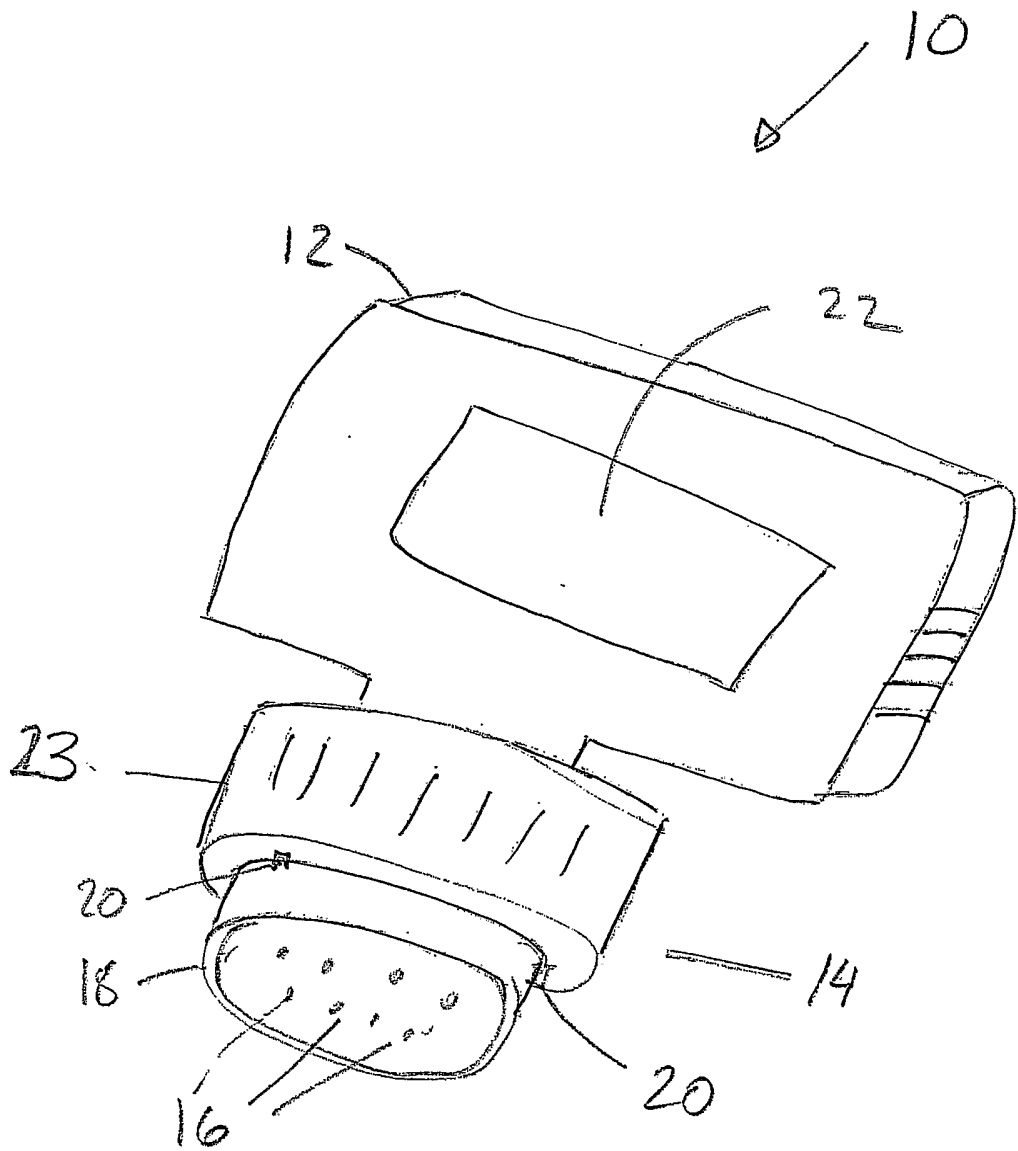


FIGURE 2A

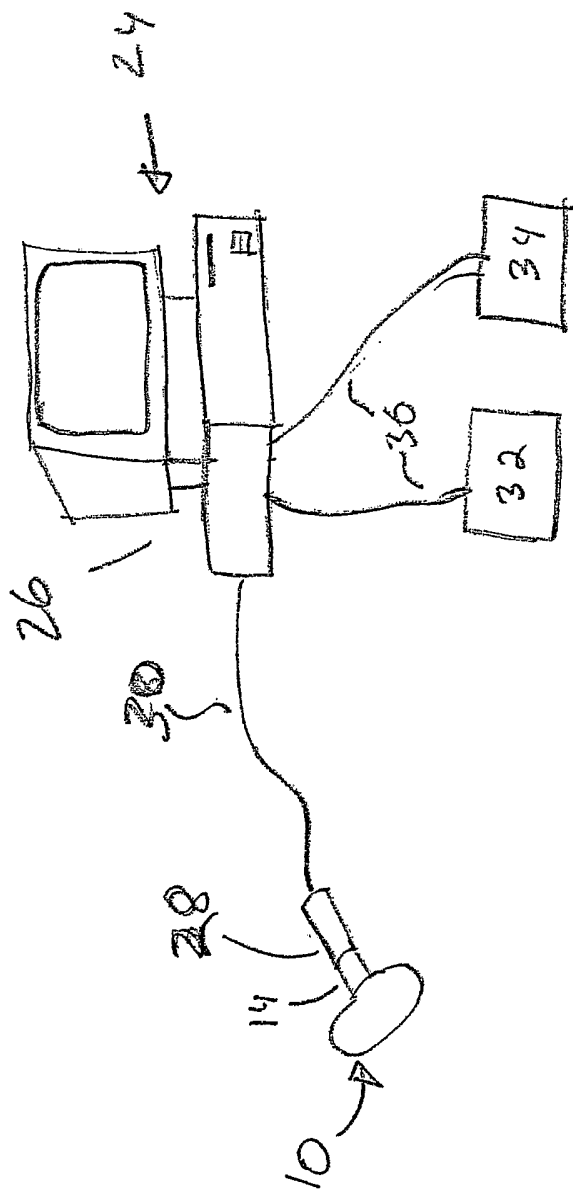


FIGURE 2B

