



(51) International Patent Classification:

A61M 5/142 (2006.01) F04C 5/00 (2006.01)
A61M 5/168 (2006.01) F04B 43/08 (2006.01)

(21) International Application Number:

PCT/US2012/043744

(22) International Filing Date:

22 June 2012 (22.06.2012)

(25) Filing Language:

English

(26) Publication Language:

English

(30) Priority Data:

61/500,629 24 June 2011 (24.06.2011) US

(71) Applicant (for all designated States except US):

COMBATIV INC. [US/US]; 330 Mission Bay Boulevard North, Suite 113, San Francisco, CA 94158 (US).

(72) Inventors; and

(75) Inventors/Applicants (for US only): **CHI, Kevin** [US/US]; 19529 Stanton Avenue, Castro Valley, CA 94546 (US). **NORMAN, Seth, Robin** [US/US]; 330 Mis-

sion Bay Boulevard North, Suite 113, San Francisco, CA 94158 (US). **TILLEARD, Matthew, James** [US/US]; 247 Elizabeth Street, Apt. 15, New York, NY 10012 (US).

(74) Agent: **VOS STRACHE, Kyle**; Cozen O'Connor, 1900 Market Street, Philadelphia, PA 19103 (US).

(81) Designated States (unless otherwise indicated, for every kind of national protection available):

AE, AG, AL, AM, AO, AT, AU, AZ, BA, BB, BG, BH, BR, BW, BY, BZ, CA, CH, CL, CN, CO, CR, CU, CZ, DE, DK, DM, DO, DZ, EC, EE, EG, ES, FI, GB, GD, GE, GH, GM, GT, HN, HR, HU, ID, IL, IN, IS, JP, KE, KG, KM, KN, KP, KR, KZ, LA, LC, LK, LR, LS, LT, LU, LY, MA, MD, ME, MG, MK, MN, MW, MX, MY, MZ, NA, NG, NI, NO, NZ, OM, PE, PG, PH, PL, PT, QA, RO, RS, RU, RW, SC, SD, SE, SG, SK, SL, SM, ST, SV, SY, TH, TJ, TM, TN, TR, TT, TZ, UA, UG, US, UZ, VC, VN, ZA, ZM, ZW.

(84) Designated States (unless otherwise indicated, for every kind of regional protection available):

ARIPO (BW, GH, GM, KE, LR, LS, MW, MZ, NA, RW, SD, SL, SZ, TZ, UG, ZM, ZW), Eurasian (AM, AZ, BY, KG, KZ, RU, TJ, TM), European (AL, AT, BE, BG, CH, CY, CZ, DE, DK,

[Continued on next page]

(54) Title: ELASTOMERIC INFUSION PUMP

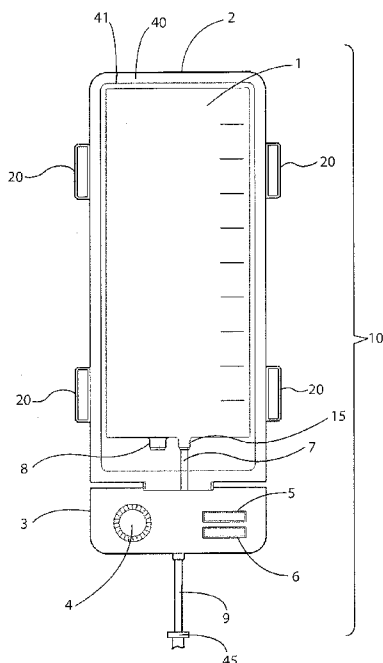


FIG. 1

(57) Abstract: A rugged elastomeric infusion pump capable of storing sterile fluids under pressure for intravenous medical use within an elastomeric bladder, wherein said elastomeric bladder is surrounded by a rugged outer shell having a proximal and distal parts with respect to the elastomeric bladder, said distal part comprising one or more of a flow regulator, a modulator, and a flow meter for regulating, smoothing, and measuring the flow of fluids effused from the elastomeric bladder, wherein said rugged proximal parts are capable of absorbing impacts to minimize the force imparted to the elastomeric infusion pump.





EE, ES, FI, FR, GB, GR, HR, HU, IE, IS, IT, LT, LU,
LV, MC, MK, MT, NL, NO, PL, PT, RO, RS, SE, SI, SK,
SM, TR), OAPI (BF, BJ, CF, CG, CI, CM, GA, GN, GQ,
GW, ML, MR, NE, SN, TD, TG).

— *before the expiration of the time limit for amending the
claims and to be republished in the event of receipt of
amendments (Rule 48.2(h))*

Declarations under Rule 4.17:

— *of inventorship (Rule 4.17(iv))*

Published:

— *with international search report (Art. 21(3))*

(88) Date of publication of the international search report:
21 March 2013

A. CLASSIFICATION OF SUBJECT MATTER*A61M 5/142(2006.01)i, A61M 5/168(2006.01)i, F04C 5/00(2006.01)i, F04B 43/08(2006.01)i*

According to International Patent Classification (IPC) or to both national classification and IPC

B. FIELDS SEARCHED

Minimum documentation searched (classification system followed by classification symbols)

A61M 5/142; F17D 3/18; A61M 5/00; A61M 37/00; B65D 35/18; B65D 37/00; A61M 1/00

Documentation searched other than minimum documentation to the extent that such documents are included in the fields searched

Korean utility models and applications for utility models

Japanese utility models and applications for utility models

Electronic data base consulted during the international search (name of data base and, where practicable, search terms used)

eKOMPASS(KIPO internal) & Keywords: blad*, flow

C. DOCUMENTS CONSIDERED TO BE RELEVANT

Category*	Citation of document, with indication, where appropriate, of the relevant passages	Relevant to claim No.
A	US 04386929 A (PEERY; JOHN R. et al.) 07 June 1983 See abstract, claims 1-12 and figures 1-5	1-27
A	US 2008-0257412 A1 (GORDON JOHN HOWARD) 23 October 2008 See abstract, claims 1-31 and figures 1-8	1-27
A	US 04915693 A (HESSEL; STEPHEN R.) 10 April 1990 See abstract, claims 1-5 and figures 1-7	1-27
A	US 04201207 A (BUCKLES; RICHARD G. et al.) 06 May 1980 See abstract, claims 1-17 and figures 1-3	1-27

 Further documents are listed in the continuation of Box C. See patent family annex.

* Special categories of cited documents:

"A" document defining the general state of the art which is not considered to be of particular relevance

"E" earlier application or patent but published on or after the international filing date

"L" document which may throw doubts on priority claim(s) or which is cited to establish the publication date of citation or other special reason (as specified)

"O" document referring to an oral disclosure, use, exhibition or other means

"P" document published prior to the international filing date but later than the priority date claimed

"T" later document published after the international filing date or priority date and not in conflict with the application but cited to understand the principle or theory underlying the invention

"X" document of particular relevance; the claimed invention cannot be considered novel or cannot be considered to involve an inventive step when the document is taken alone

"Y" document of particular relevance; the claimed invention cannot be considered to involve an inventive step when the document is combined with one or more other such documents, such combination being obvious to a person skilled in the art

"&" document member of the same patent family

Date of the actual completion of the international search

23 JANUARY 2013 (23.01.2013)

Date of mailing of the international search report

24 JANUARY 2013 (24.01.2013)

Name and mailing address of the ISA/KR

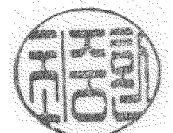
Korean Intellectual Property Office
189 Cheongsu-ro, Seo-gu, Daejeon Metropolitan
City, 302-701, Republic of Korea

Facsimile No. 82-42-472-7140

Authorized officer

CHOI Joong Hwan

Telephone No. 82-42-481-8402



INTERNATIONAL SEARCH REPORT

Information on patent family members

International application No.

PCT/US2012/043744

Patent document cited in search report	Publication date	Patent family member(s)	Publication date
US 04386929 A	07.06.1983	EP 0032792 A2	29.07.1981
		EP 0032792 A3	02.12.1981
		EP 0032792 B1	07.01.1987
		EP 0172586 A1	26.02.1986
		JP 03-055142 B	22.08.1991
		JP 1817998 C	27.01.1994
		JP 56-102252 A	15.08.1981
		US 04318400A A	09.03.1982
US 2008-0257412 A1	23.10.2008	US 2012-031497 A1	09.02.2012
		US 2012-031503 A1	09.02.2012
		US 2012-031513 A1	09.02.2012
		WO 2008-130644 A1	30.10.2008
US 04915693 A	10.04.1990	CN 1019482 A0	13.07.1988
		EP 0290586 A1	17.11.1988
		EP 0290586 B1	24.03.1993
		US 04769008A A	06.09.1988
		US 05120315A A	09.06.1992
		US 05263935A A	23.11.1993
WO 88-03819 A1	02.06.1988		
US 04201207 A	06.05.1980	None	