



US00D749042S

(12) **United States Design Patent**
Gecawicz et al.

(10) **Patent No.:** **US D749,042 S**

(45) **Date of Patent:** **** Feb. 9, 2016**

- (54) **DUAL-BAY BATTERY CHARGER**
- (71) Applicants: **Raymond Gecawicz**, Acton, MA (US);
William Kyle, Reading, MA (US)
- (72) Inventors: **Raymond Gecawicz**, Acton, MA (US);
William Kyle, Reading, MA (US)
- (**) Term: **15 Years**
- (21) Appl. No.: **29/541,857**
- (22) Filed: **Oct. 8, 2015**
- (51) **LOC (10) Cl.** **13-02**
- (52) **U.S. Cl.**
USPC **D13/107**
- (58) **Field of Classification Search**
USPC D13/107-110, 118-119, 184, 199;
D14/251, 253, 432, 434
CPC Y02E 60/12; Y02T 90/14; Y02T 90/122;
Y02T 90/128; Y02T 90/163; H02J 7/025;
H02J 7/0042; H02J 7/0044; H02J 7/0045;
H02J 7/0003; H01F 38/14; H01R 13/6675;
H01M 2/1022; H01M 2/1055; H01M 10/44;
H01M 10/46; H01M 10/425; B60L 11/182
See application file for complete search history.

D506,725 S	*	6/2005	Watson	D13/108
D526,995 S		8/2006	Claxton et al.		
D530,667 S		10/2006	Viduya et al.		
D532,365 S	*	11/2006	Shen	D13/107
D537,409 S	*	2/2007	Suzuki	D13/108
D554,107 S		10/2007	Calco et al.		
D588,536 S	*	3/2009	Wahl	D13/108
D609,637 S	*	2/2010	Chu	D13/108
D609,638 S	*	2/2010	Biheller	D13/108
D625,729 S	*	10/2010	McNames	D10/65
D626,537 S		11/2010	Lee		
D629,355 S	*	12/2010	Bodley	D13/108
D638,020 S		5/2011	Johnson et al.		
D638,790 S		5/2011	Daniel		
D647,907 S	*	11/2011	Perry	D14/434
D653,206 S	*	1/2012	Heine	D13/108
D654,019 S	*	2/2012	Ikegame	D13/108

(Continued)

Primary Examiner — Rosemary K Tarcza
(74) *Attorney, Agent, or Firm* — Thomas P. O'Connell;
O'Connell Law Firm

(57) **CLAIM**
We claim the ornamental design for a dual-bay battery charger, as shown and described.

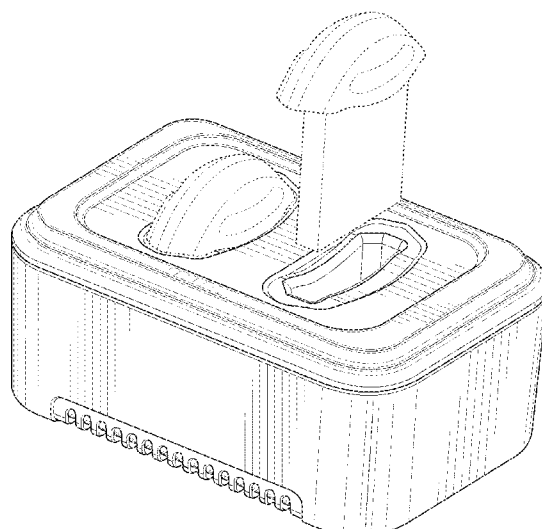
DESCRIPTION

FIG. 1 is a perspective view of a dual-bay battery charger showing our design with a first battery received into a battery bay and a second battery positioned for insertion into a battery bay, the batteries forming no part of the claimed design; FIG. 2 is a top plan view thereof; FIG. 3 is a bottom plan view thereof; FIG. 4 is a view in rear elevation thereof; FIG. 5 is a view in front elevation thereof; FIG. 6 is a view in left side elevation thereof; and, FIG. 7 is a view in right side elevation thereof. The batteries and the port shown in broken lines are for illustrative purposes only and do not form a part of the claimed design.

1 Claim, 4 Drawing Sheets

(56) **References Cited**
U.S. PATENT DOCUMENTS

D278,426 S	4/1985	Lanci et al.	
D278,702 S	5/1985	Chiodo et al.	
D278,703 S	5/1985	Chiodo et al.	
D322,060 S	12/1991	Iino	
D336,631 S	* 6/1993	Ivester D13/108
D350,329 S	9/1994	Lindeman et al.	
D359,474 S	* 6/1995	Palatov D13/108
D388,764 S	* 1/1998	Bartling D13/107
D397,084 S	* 8/1998	Siddoway D13/107
D402,258 S	* 12/1998	Kawakami D13/107
D446,184 S	8/2001	Parker	
D462,657 S	* 9/2002	Kaneko D13/107
D476,659 S	* 7/2003	Ying D14/434



(56)

References Cited

U.S. PATENT DOCUMENTS

D680,066 S *	4/2013	Kinoshita	D13/107	D712,828 S	9/2014	Delrue et al.	
D692,824 S	11/2013	Fiaschetti		D722,957 S	2/2015	Kotaniemi et al.	
D702,631 S	4/2014	Esses		D730,284 S	5/2015	Dorn et al.	
D710,797 S *	8/2014	Awiszus	D13/107	D734,718 S	7/2015	Fournier et al.	
D710,798 S	8/2014	Awiszus et al.		D736,703 S	8/2015	Kotaniemi et al.	
				2004/0080298 A1	4/2004	Maggert et al.	
				2015/0244194 A1 *	8/2015	Tabuchi	H02J 7/0013 320/107

* cited by examiner

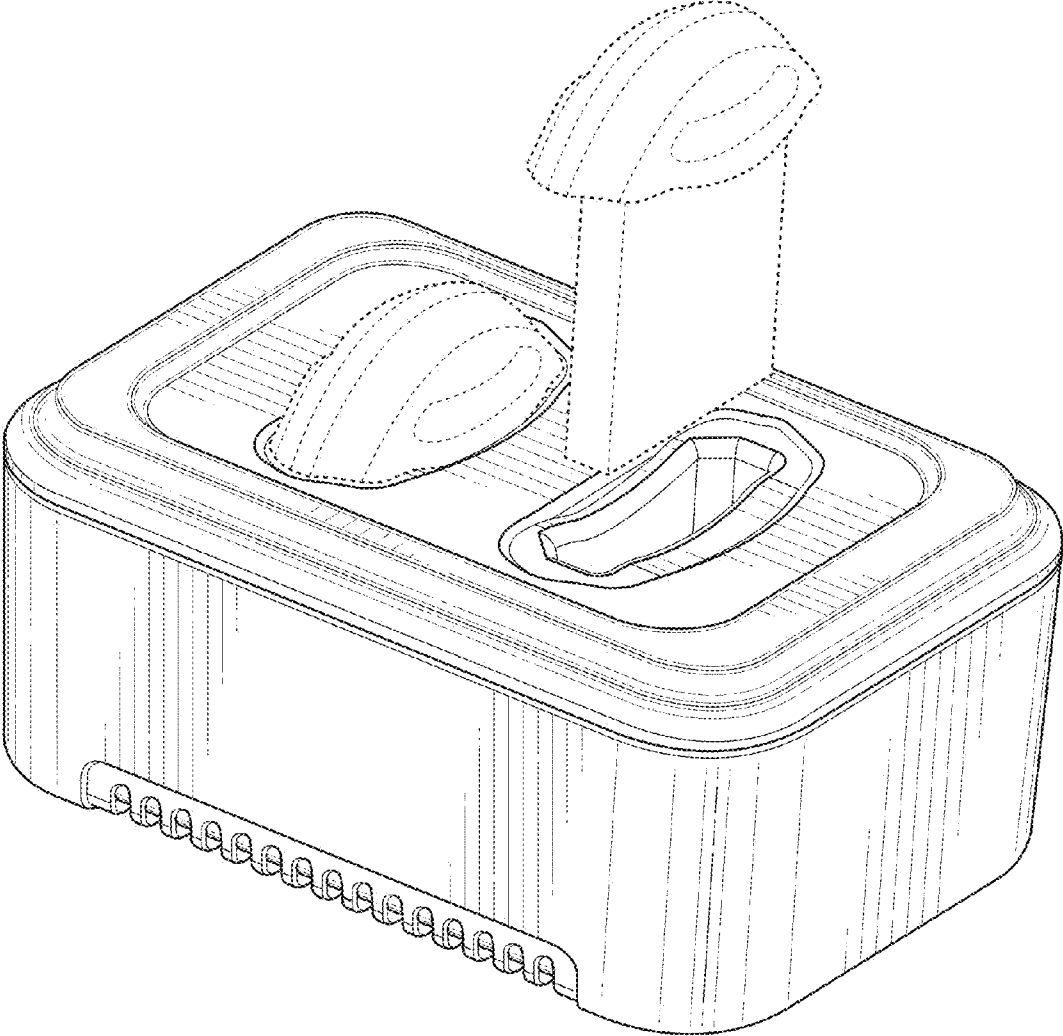


FIG. 1

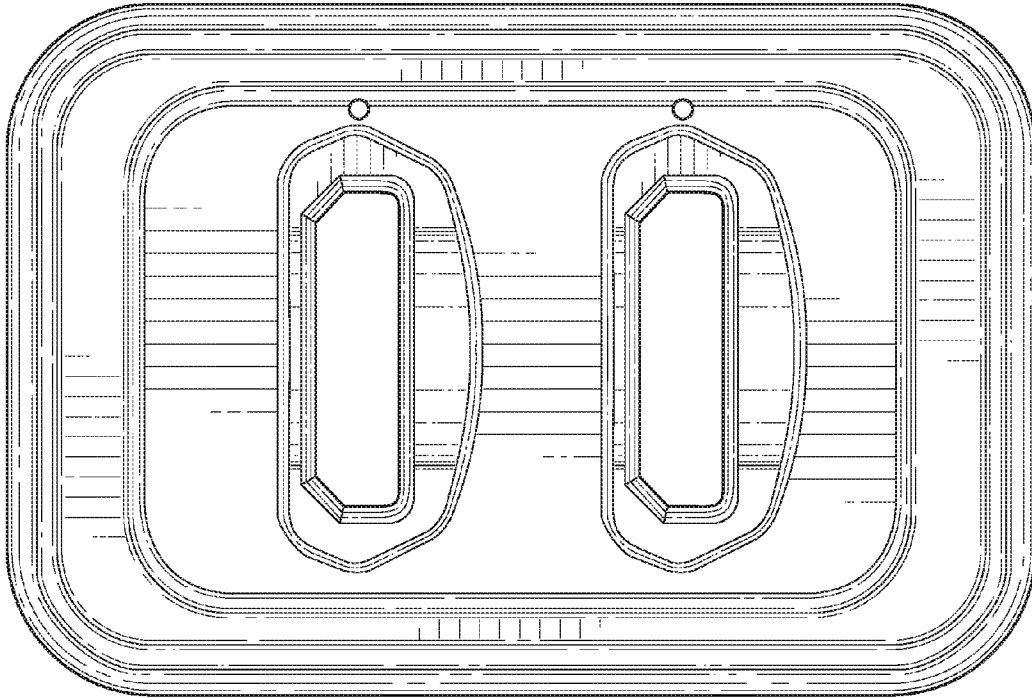


FIG. 2

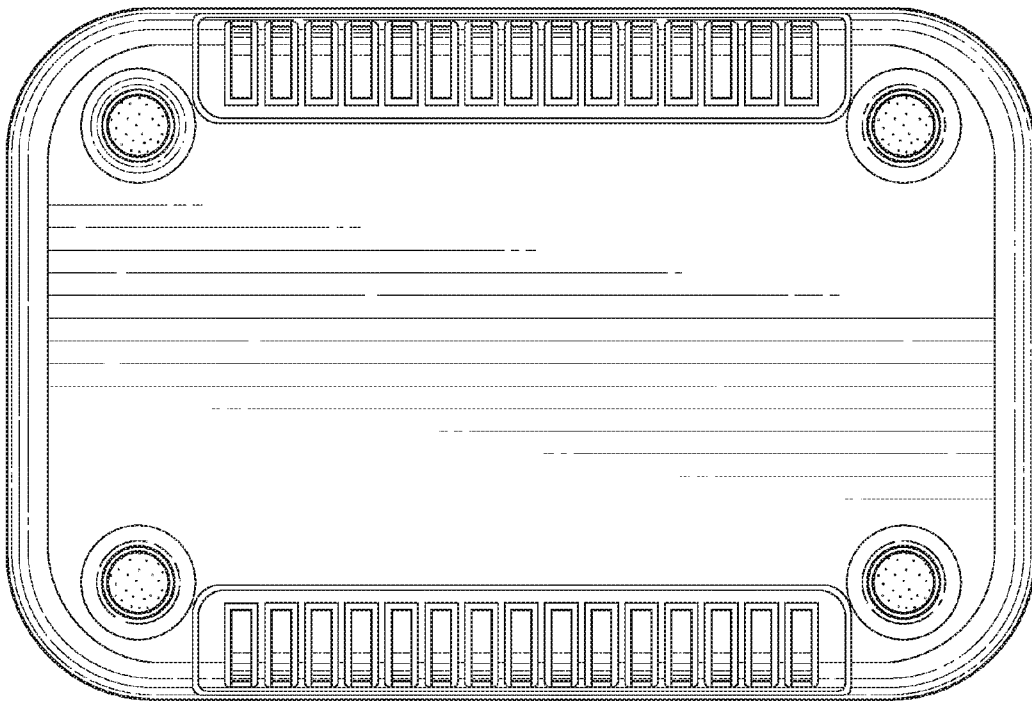


FIG. 3

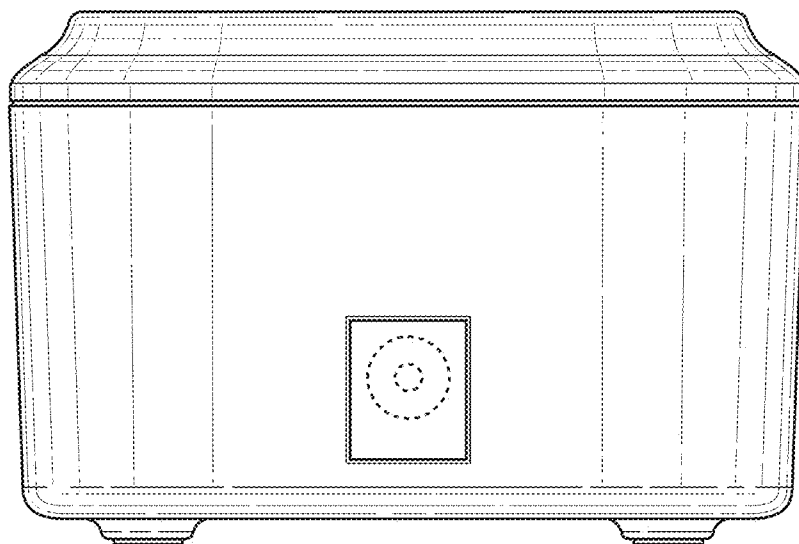


FIG. 4

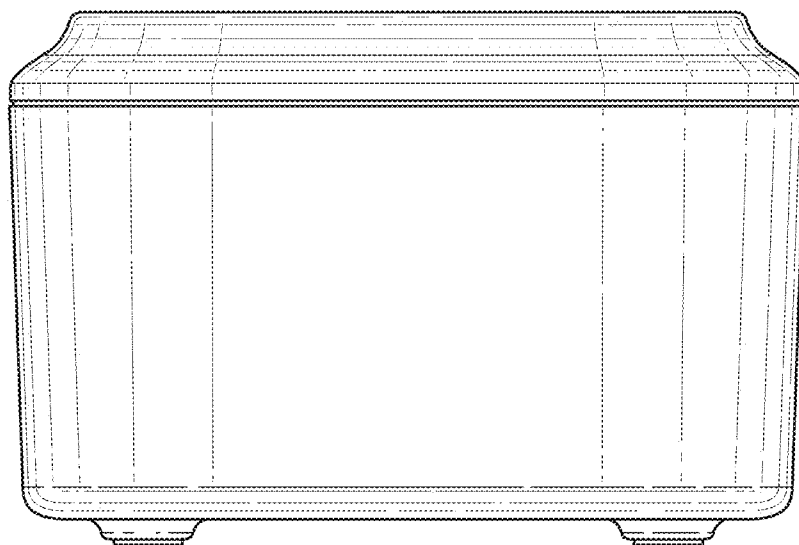


FIG. 5

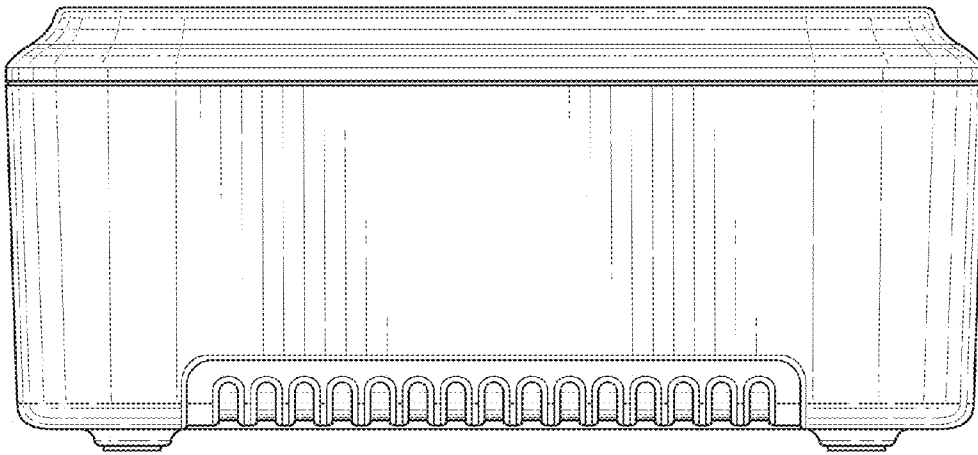


FIG. 6

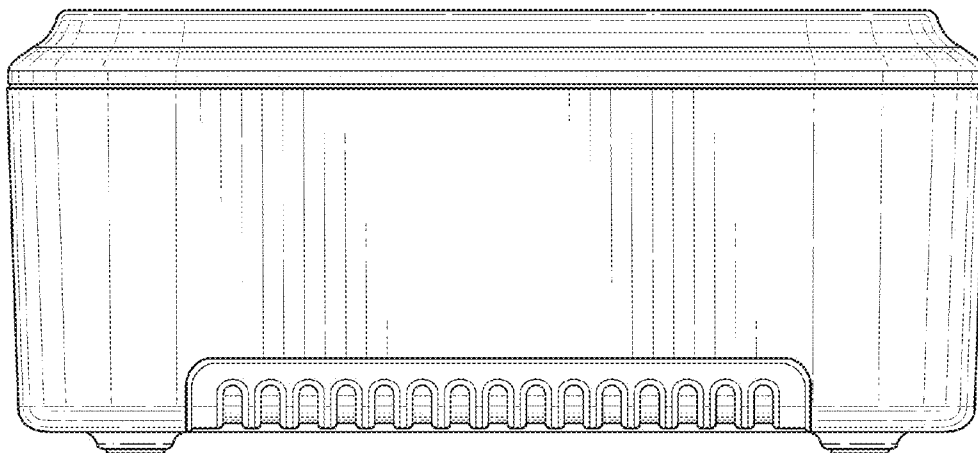


FIG. 7