



US00D331916S

United States Patent [19]

[11] Patent Number: Des. 331,916

DuBrucq

[45] Date of Patent: ** Dec. 22, 1992

- [54] WIRE MANAGEMENT CHANNEL
- [75] Inventor: Virginia R. DuBrucq, Denver, Colo.
- [73] Assignee: Herman Miller, Inc., Zeeland, Mich.
- [**] Term: 14 Years
- [21] Appl. No.: 596,352
- [22] Filed: Oct. 12, 1990
- [52] U.S. Cl. D13/155; D8/356; D25/125
- [58] Field of Search D8/354, 356; 52/239, 52/287; 174/101; D25/125; D13/155

- 4,423,284 12/1983 Kaplan 174/101
- 4,602,124 7/1986 Santucci .
- 4,891,922 1/1990 Hozer et al. .

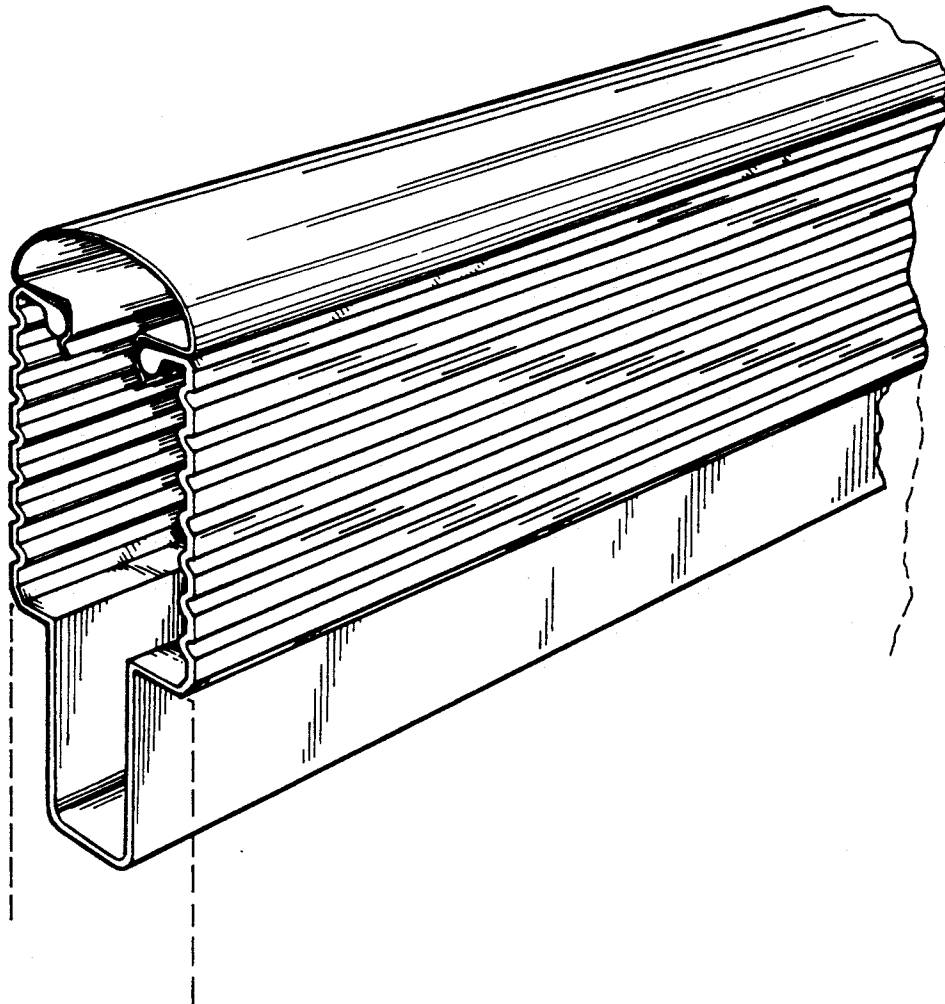
Primary Examiner—Wallace R. Burke
Assistant Examiner—H. Baynham
Attorney, Agent, or Firm—Varnum, Riddering, Schmidt & Howlett

- [56] **References Cited**
- U.S. PATENT DOCUMENTS
- D. 251,779 5/1979 Wolff et al. D13/155
- D. 283,446 4/1986 Borkinshaw D25/125
- D. 295,521 5/1988 Mackett D8/395
- 3,118,017 1/1964 Wimbish .
- 3,325,585 6/1967 Breneman 52/287 X
- 3,403,220 9/1968 Riedel et al. 174/101

[57] **CLAIM**
 The ornamental design for a wire management channel, as shown and described.

DESCRIPTION

FIG. 1 is a perspective view of a wire management channel showing my new design;
 FIG. 2 is a right side elevational view thereof, the left side being a mirror image thereof;
 FIG. 3 is a front elevational view thereof;
 FIG. 4 is a plan view thereof; and,
 FIG. 5 is a bottom plan view thereof.
 The channel is shown broken away in FIGS. 1, 3-5 to indicate indeterminate length.



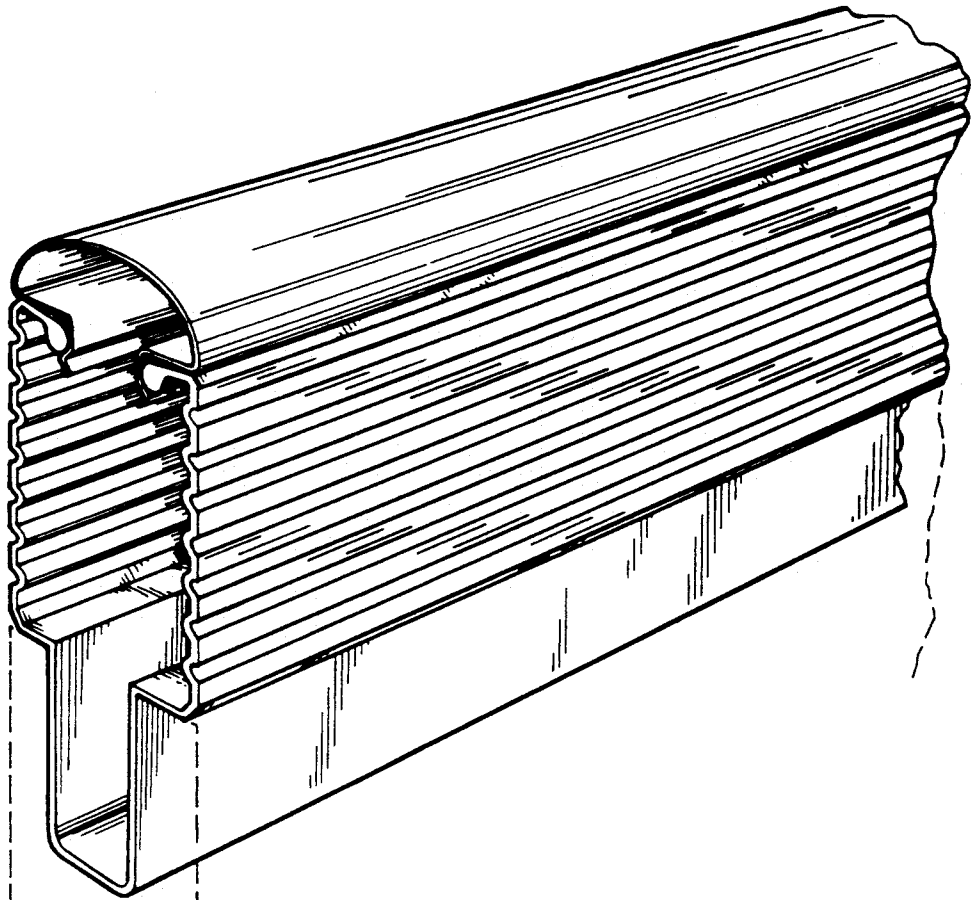


FIG. 1

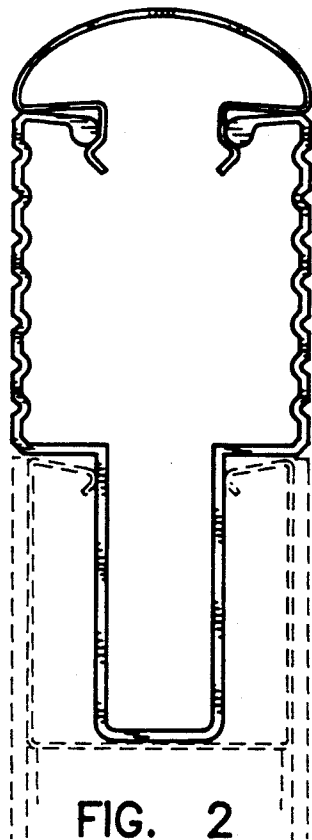


FIG. 2

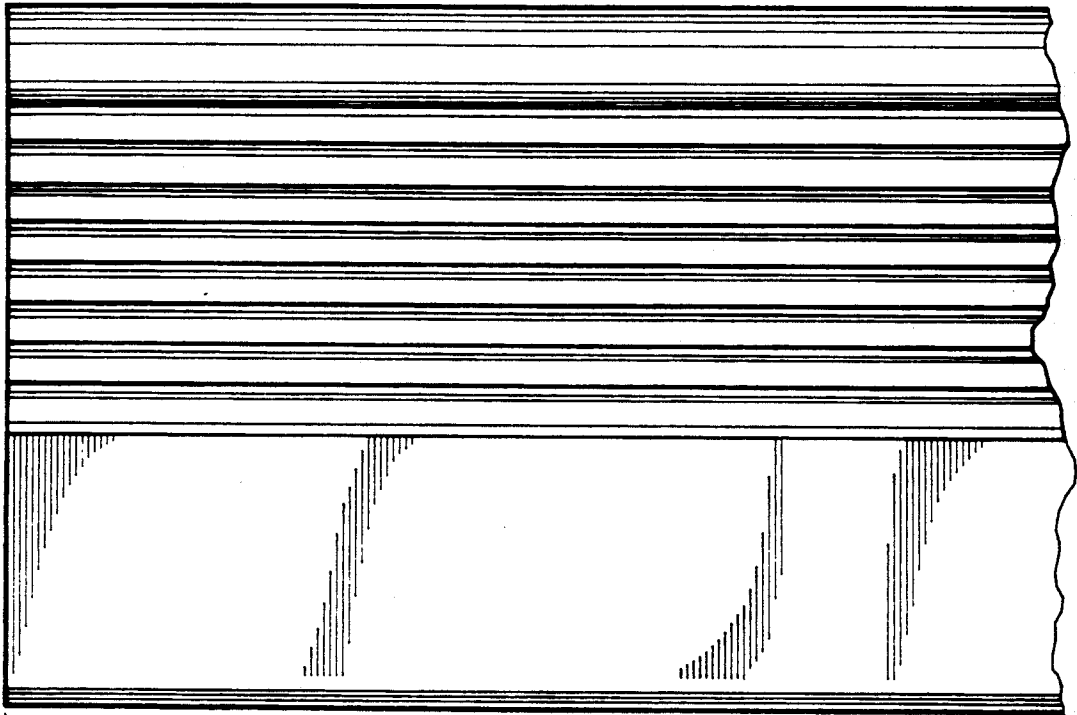


FIG. 3

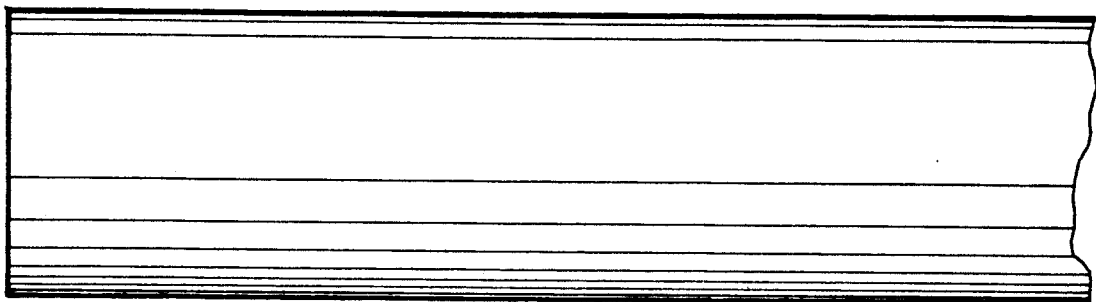


FIG. 4

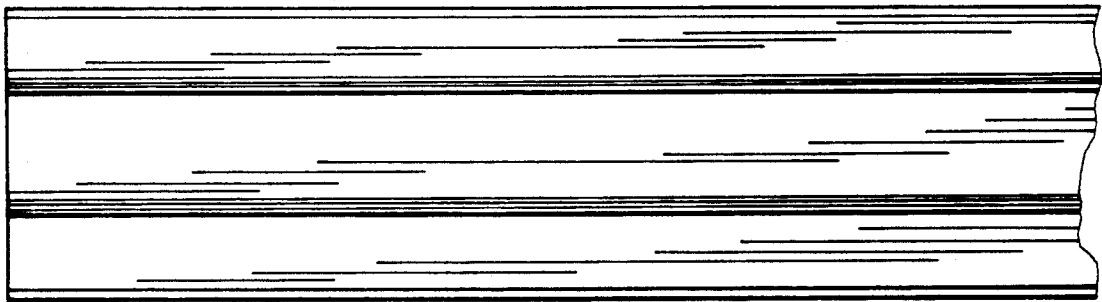


FIG. 5