



US00D773646S

(12) **United States Design Patent** (10) **Patent No.:** **US D773,646 S**
Amend Kwasnik et al. (45) **Date of Patent:** **** Dec. 6, 2016**

(54) **MEDICAL INJECTOR PEN** CPC A61M 5/3156; A61M 5/31591; A61M 5/3155; A61M 5/3157; A61M 5/24; A61M 5/31501; A61M 5/31551; A61M 5/31585; A61M 2005/2407; A61M 2005/2492; A61M 2205/581; A61M 2205/582
(71) Applicant: **Merck Sharp & Dohme Corp.**, Rahway, NJ (US)
(72) Inventors: **Angela M. Amend Kwasnik**, Metuchen, NJ (US); **Benjamin R. Bartfeld**, West Orange, NJ (US); **Peter Basile**, Bloomsbury, NJ (US); **Jeffrey C. Givand**, North Wales, PA (US); **Philip G. Green**, Weehawken, NJ (US); **Sharad Gupta**, Madison, NJ (US); **Christin L. O'Neill**, Philadelphia, PA (US); **Steven Carl Persak**, Lebanon, NJ (US); **Robert Stianchi**, Hillsborough, NJ (US); **Ari Tao Adler**, Cambridge, MA (US); **Florian Altmann**, München (DE); **Thomas Junk**, München (DE); **Florian Kössler**, München (DE); **Martin Meier**, München (DE); **Scott R. Mackie**, New Haven, CT (US); **Pernilla Danielsson**, Stockholm (SE)
See application file for complete search history.

(56) **References Cited**

U.S. PATENT DOCUMENTS

1,686,055 A	10/1928	Whiteside	
D147,579 S	9/1947	Campbell	
D279,504 S	7/1985	Tump	
D298,653 S	11/1988	Maietta	
D320,084 S	9/1991	Stewart et al.	
D369,384 S	4/1996	Yasoshima	
5,645,534 A *	7/1997	Chanoch	A61M 5/31535 206/534

(Continued)

Primary Examiner — David Muller
Assistant Examiner — Nathan Johnston
(74) *Attorney, Agent, or Firm* — John David Reilly;
Gloria Fuentes

(57) **CLAIM**

The ornamental design for a medical injector pen, as shown and described.

DESCRIPTION

FIG. 1 is a perspective view of a medical injector pen showing our new design;
FIG. 2 is a front elevation view thereof;
FIG. 3 is a left side elevation view thereof;
FIG. 4 is a right side elevation view thereof;
FIG. 5 is a rear elevation view thereof;
FIG. 6 is a top plan view thereof;
FIG. 7 is a bottom plan view thereof;
FIG. 8 is an enlarged fragmentary view of the encircled portion labeled as "8" in FIG. 2.
FIG. 9 is an enlarged fragmentary view of the encircled portion labeled as "9" in FIG. 3; and,

(Continued)

(73) Assignee: **Merck Sharp & Dohme Corp.**, Rahway, NJ (US)

(**) Term: **14 Years**

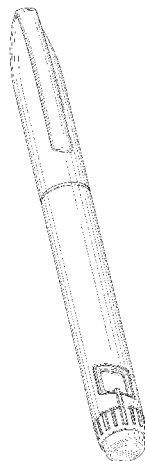
(21) Appl. No.: **29/500,640**

(22) Filed: **Aug. 27, 2014**

(51) **LOC (10) Cl.** **24-02**

(52) **U.S. Cl.**
USPC **D24/113**

(58) **Field of Classification Search**
USPC D24/112-114, 127-131, 133, 186; 606/181, 185; 604/264, 272, 115, 232, 187, 604/158, 164.08, 192, 263, 163, 181, 184, 198, 604/227; 600/101, 139, 143; 128/200.24, 128/207.14, 207.15; D19/115-123, 177



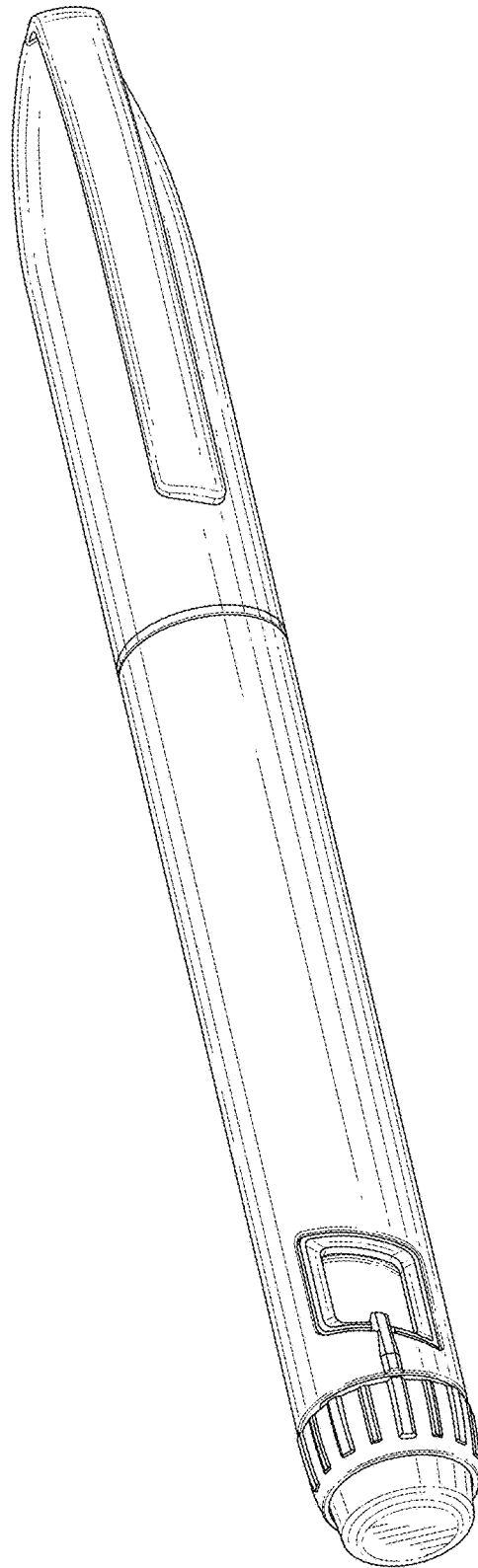


FIG. 1

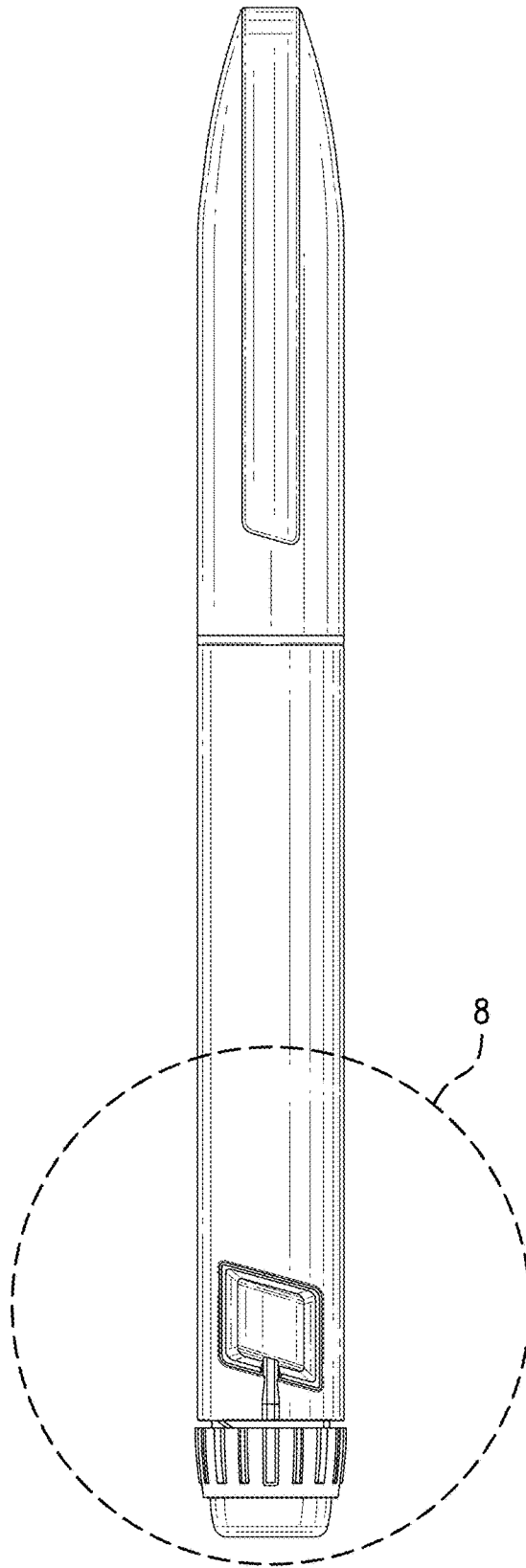


FIG. 2

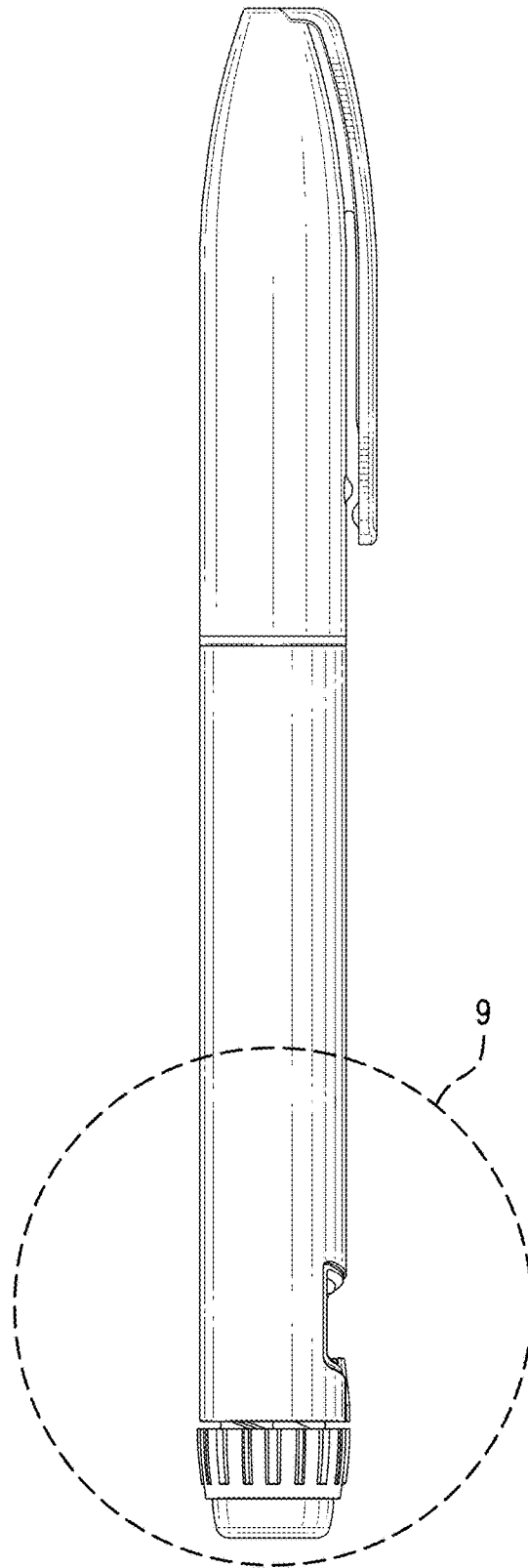


FIG.3

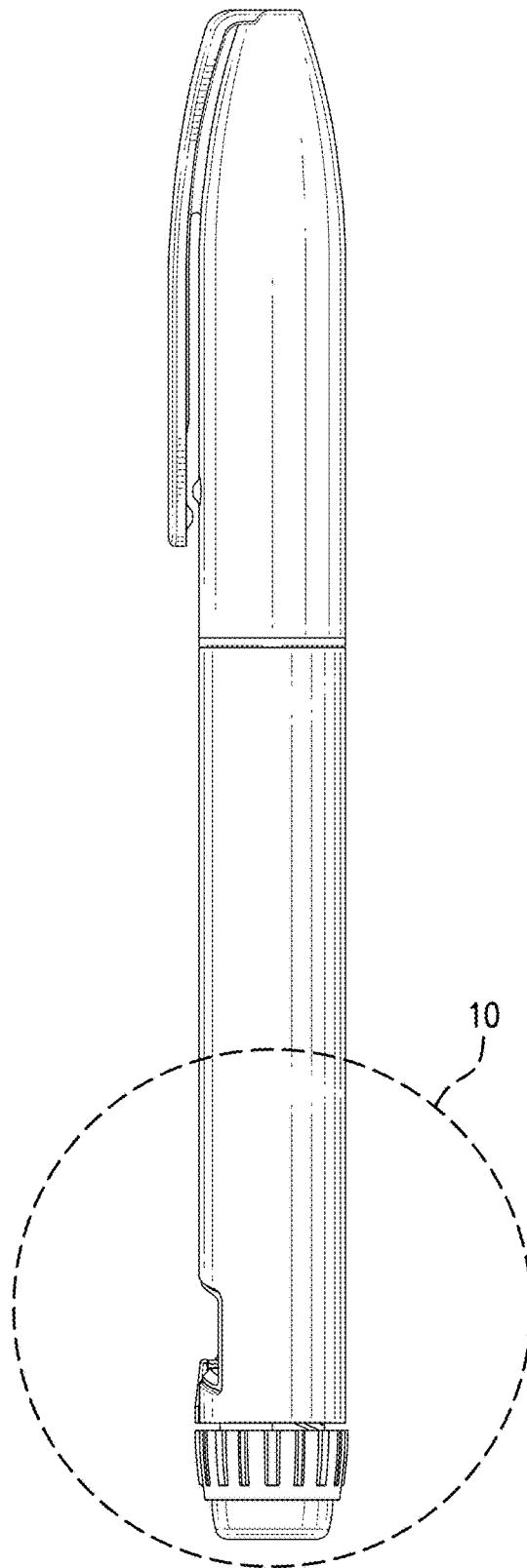


FIG.4

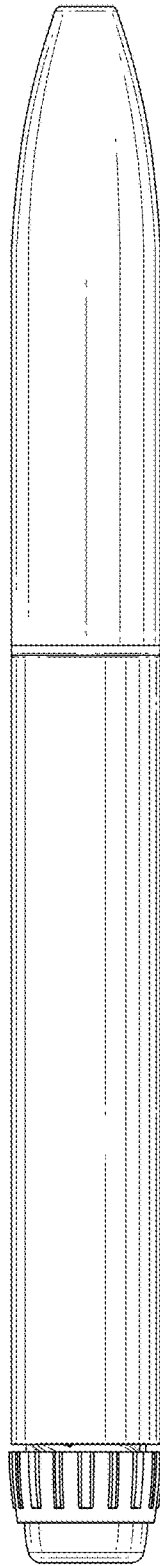


FIG. 5

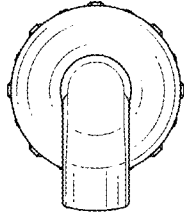


FIG. 6

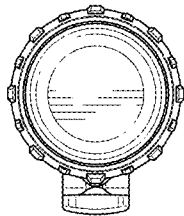


FIG. 7

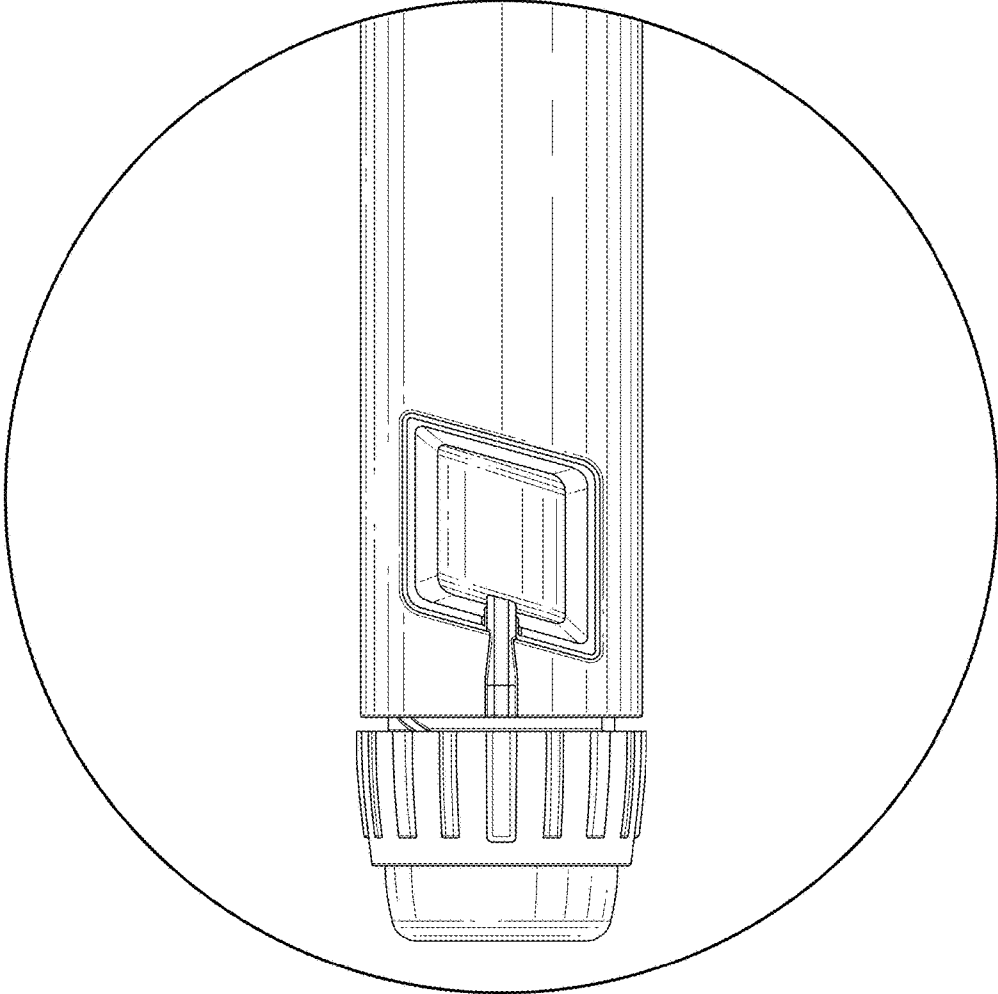


FIG.8

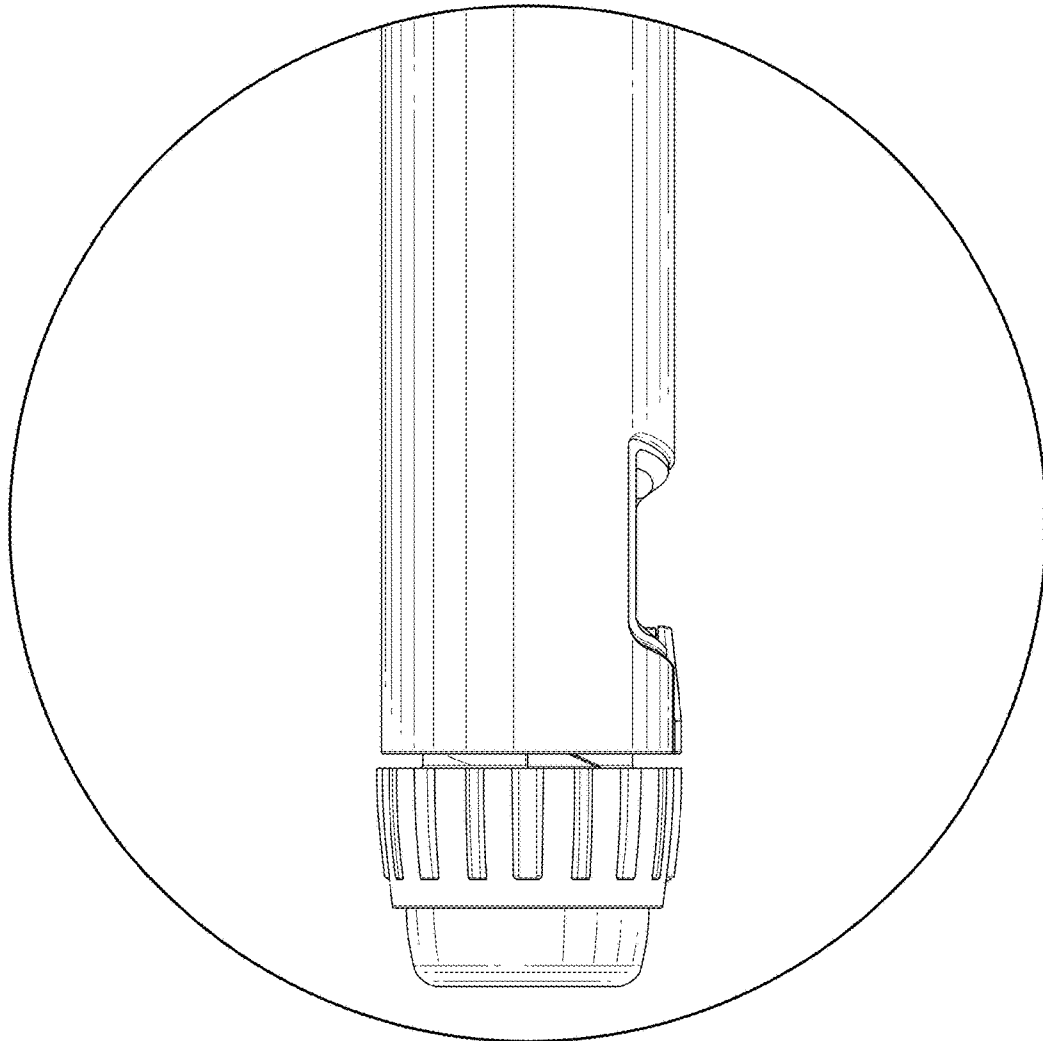


FIG. 9

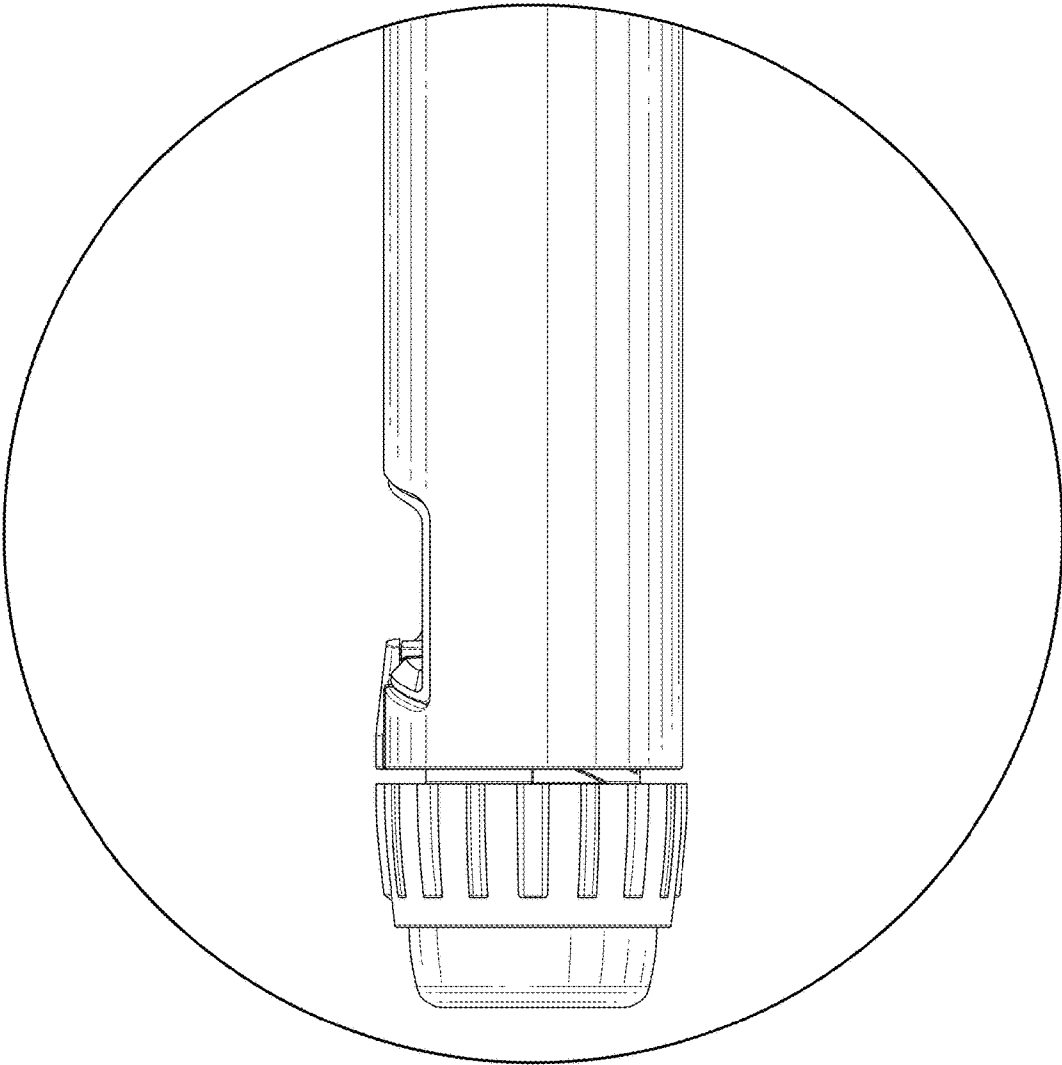


FIG. 10