

(19) World Intellectual Property Organization  
International Bureau



(43) International Publication Date  
6 May 2010 (06.05.2010)

(10) International Publication Number  
**WO 2010/051445 A3**

(51) International Patent Classification:

A61L 15/24 (2006.01) A61L 15/58 (2006.01)  
A61L 15/44 (2006.01) A61L 26/00 (2006.01)

(21) International Application Number:

PCT/US2009/062761

(22) International Filing Date:

30 October 2009 (30.10.2009)

(25) Filing Language:

English

(26) Publication Language:

English

(30) Priority Data:

61/197,954 31 October 2008 (31.10.2008) US  
12/378,277 12 February 2009 (12.02.2009) US

(71) Applicant (for all designated States except US): **AD-HEZION BIOMEDICAL, LLC.** [US/US]; One Meridian Boulevard, Suite 1802, Wyomissing, PA 19610 (US).

(72) Inventors; and

(75) Inventors/Applicants (for US only): **ZHANG, Sheng** [CN/US]; 1030 Cedar Hills Court, Lenoir, NC 28645 (US). **RUIZ, Rafael** [US/US]; 3706 Rain Valley Drive, Hudson, NC 28638 (US).

(74) Agents: **ROSSI, Joseph, D.** et al.; Stradley Ronon Stevens & Young, LLP, 30 Valley Stream Parkway, Great Valley Corporate Center, Malvern, PA 19355-0481 (US).

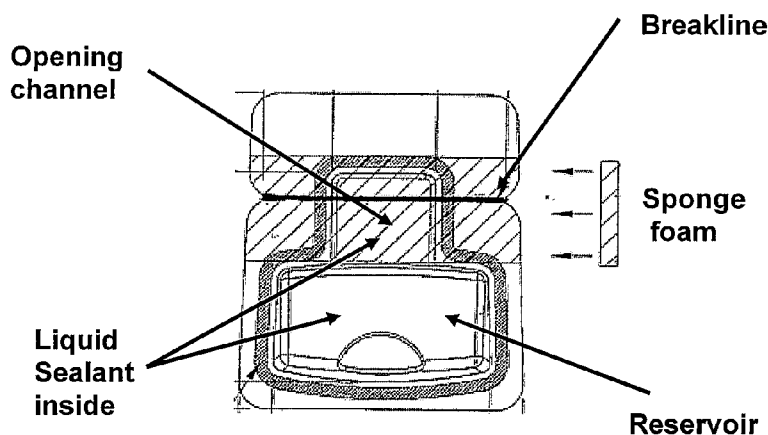
(81) Designated States (unless otherwise indicated, for every kind of national protection available): AE, AG, AL, AM, AO, AT, AU, AZ, BA, BB, BG, BH, BR, BW, BY, BZ, CA, CH, CL, CN, CO, CR, CU, CZ, DE, DK, DM, DO, DZ, EC, EE, EG, ES, FI, GB, GD, GE, GH, GM, GT, HN, HR, HU, ID, IL, IN, IS, JP, KE, KG, KM, KN, KP, KR, KZ, LA, LC, LK, LR, LS, LT, LU, LY, MA, MD, ME, MG, MK, MN, MW, MX, MY, MZ, NA, NG, NI, NO, NZ, OM, PE, PG, PH, PL, PT, RO, RS, RU, SC, SD, SE, SG, SK, SL, SM, ST, SV, SY, TJ, TM, TN, TR, TT, TZ, UA, UG, US, UZ, VC, VN, ZA, ZM, ZW.

(84) Designated States (unless otherwise indicated, for every kind of regional protection available): ARIPO (BW, GH, GM, KE, LS, MW, MZ, NA, SD, SL, SZ, TZ, UG, ZM, ZW), Eurasian (AM, AZ, BY, KG, KZ, MD, RU, TJ, TM), European (AT, BE, BG, CH, CY, CZ, DE, DK, EE, ES, FI, FR, GB, GR, HR, HU, IE, IS, IT, LT, LU, LV, MC, MK, MT, NL, NO, PL, PT, RO, SE, SI, SK, SM, TR), OAPI (BF, BJ, CF, CG, CI, CM, GA, GN, GQ, GW, ML, MR, NE, SN, TD, TG).

[Continued on next page]

(54) Title: CYANOACRYLATE-BASED LIQUID MICROBIAL SEALANT DRAPE

FIGURE 1



(57) Abstract: The invention relates to methods of using compositions for forming microbial sealant drapes. In particular, the invention relates to the use of compositions of combinations of cyanoacrylates for the in situ formation of drapes that can be used in surgery to protect patients from surgical site infections.

WO 2010/051445 A3



**Declarations under Rule 4.17:**

— *as to applicant's entitlement to apply for and be granted a patent (Rule 4.17(ii))*

— *before the expiration of the time limit for amending the claims and to be republished in the event of receipt of amendments (Rule 48.2(h))*

**Published:**

— *with international search report (Art. 21(3))*

**(88) Date of publication of the international search report:**

20 January 2011

**INTERNATIONAL SEARCH REPORT**

International application No  
PCT/US2009/062761

**A. CLASSIFICATION OF SUBJECT MATTER**  
 INV. A61L15/24      A61L15/44      A61L15/58      A61L26/00  
 ADD.

According to International Patent Classification (IPC) or to both national classification and IPC

**B. FIELDS SEARCHED**  
 Minimum documentation searched (classification system followed by classification symbols)  
 A61L A61B A61K C09J

Documentation searched other than minimum documentation to the extent that such documents are included in the fields searched

Electronic data base consulted during the international search (name of data base and, where practical, search terms used)  
 EPO-Internal, WPI Data

**C. DOCUMENTS CONSIDERED TO BE RELEVANT**

| Category* | Citation of document, with indication, where appropriate, of the relevant passages   | Relevant to claim No.  |
|-----------|--|------------------------|
| X         | US 5 998 472 A (BERGER THOMAS JAY [US] ET AL) 7 December 1999 (1999-12-07)<br>column 3, line 17 - column 4, line 7<br>column 7, lines 33-60<br>column 9, lines 22-30<br>examples 1,2<br>claims | 1-4, 13,<br>15, 17, 22 |
| X         | DE 10 2007 019044 A1 (HENKEL AG & CO KGAA [DE]) 23 October 2008 (2008-10-23)<br>page 9, paragraph 50-51<br>page 13, paragraph 72 - page 14, paragraph 73<br>claims                             | 1-18,<br>20-22         |
|           | -----<br>-/--  |                        |

Further documents are listed in the continuation of Box C.       See patent family annex.

\* Special categories of cited documents :

|   |   |
|---|---|
| "A" document defining the general state of the art which is not considered to be of particular relevance  | "T" later document published after the international filing date or priority date and not in conflict with the application but cited to understand the principle or theory underlying the invention   |
| "E" earlier document but published on or after the international filing date  | "X" document of particular relevance; the claimed invention cannot be considered novel or cannot be considered to involve an inventive step when the document is taken alone  |
| "L" document which may throw doubts on priority claim(s) or which is cited to establish the publication date of another citation or other special reason (as specified) | "Y" document of particular relevance; the claimed invention cannot be considered to involve an inventive step when the document is combined with one or more other such documents, such combination being obvious to a person skilled in the art. |
| "O" document referring to an oral disclosure, use, exhibition or other means  | "&" document member of the same patent family   |
| "P" document published prior to the international filing date but later than the priority date claimed  |   |

|  |  |
|--|--|
| Date of the actual completion of the international search<br><br>2 December 2010 | Date of mailing of the international search report<br><br>08/12/2010 |
|--|--|

|  |   |
|--|---|
| Name and mailing address of the ISA/<br>European Patent Office, P.B. 5818 Patentlaan 2<br>NL - 2280 HV Rijswijk<br>Tel. (+31-70) 340-2040,<br>Fax: (+31-70) 340-3016 | Authorized officer<br><br>Van den Bulcke, H |
|--|---|

## INTERNATIONAL SEARCH REPORT

International application No

PCT/US2009/062761

| C(Continuation). DOCUMENTS CONSIDERED TO BE RELEVANT |   |                            |
|--|---|----------------------------|
| Category*  | Citation of document, with indication, where appropriate, of the relevant passages  | Relevant to claim No.      |
| X  | US 2008/021139 A1 (BLACKLOCK DONALD S [CA]<br>ET AL) 24 January 2008 (2008-01-24)<br><br>page 2, paragraphs 12, 17-18, 25<br>page 3, paragraph 27-28<br>claims<br><br>----- | 1, 3-8,<br>10-17,<br>20-22 |
| X  | US 2004/253039 A1 (STENTON RICHARD J [GB])<br>16 December 2004 (2004-12-16)<br>page 2, paragraphs 18, 24<br>claims<br><br>-----   | 19                         |

# INTERNATIONAL SEARCH REPORT

International application No.  
PCT/US2009/062761

## Box No. II Observations where certain claims were found unsearchable (Continuation of item 2 of first sheet)

This international search report has not been established in respect of certain claims under Article 17(2)(a) for the following reasons:

1.  Claims Nos.:  
because they relate to subject matter not required to be searched by this Authority, namely:
  
2.  Claims Nos.:  
because they relate to parts of the international application that do not comply with the prescribed requirements to such an extent that no meaningful international search can be carried out, specifically:
  
3.  Claims Nos.:  
because they are dependent claims and are not drafted in accordance with the second and third sentences of Rule 6.4(a).

## Box No. III Observations where unity of invention is lacking (Continuation of item 3 of first sheet)

This International Searching Authority found multiple inventions in this international application, as follows:

see additional sheet

1.  As all required additional search fees were timely paid by the applicant, this international search report covers all searchable claims.
2.  As all searchable claims could be searched without effort justifying an additional fees, this Authority did not invite payment of additional fees.
3.  As only some of the required additional search fees were timely paid by the applicant, this international search report covers only those claims for which fees were paid, specifically claims Nos.:
  
4.  No required additional search fees were timely paid by the applicant. Consequently, this international search report is restricted to the invention first mentioned in the claims; it is covered by claims Nos.:

### Remark on Protest

- The additional search fees were accompanied by the applicant's protest and, where applicable, the payment of a protest fee.
- The additional search fees were accompanied by the applicant's protest but the applicable protest fee was not paid within the time limit specified in the invitation.
- No protest accompanied the payment of additional search fees.

FURTHER INFORMATION CONTINUED FROM PCT/ISA/ 210

This International Searching Authority found multiple (groups of) inventions in this international application, as follows:

1. claims: 1-18, 20-22

Microbial sealant drape composition comprising a mixture of  
70%-90% longer length cyanoacrylate and 10% to 30% shorter  
length cyanoacrylate  
---

2. claim: 19

Applicator for applying microbial sealant drape compositions  
---

# INTERNATIONAL SEARCH REPORT

Information on patent family members

|   |
|---|
| International application No<br>PCT/US2009/062761 |
|---|

| Patent document cited in search report | Publication date | Patent family member(s) | Publication date            |
|--|------------------|-------------------------|-----------------------------|
| US 5998472                             | A                | 07-12-1999              | AT 229802 T 15-01-2003      |
|  |                  | AU 9693098 A            | 03-05-1999                  |
|  |                  | CA 2304457 A1           | 22-04-1999                  |
|  |                  | DE 69810328 D1          | 30-01-2003                  |
|  |                  | DE 69810328 T2          | 16-10-2003                  |
|  |                  | EP 1021180 A1           | 26-07-2000                  |
|  |                  | ES 2189256 T3           | 01-07-2003                  |
|  |                  | JP 4391686 B2           | 24-12-2009                  |
|  |                  | JP 2001522782 T         | 20-11-2001                  |
|  |                  | WO 9918950 A1           | 22-04-1999                  |
| <hr/>                                  |                  |                         |                             |
| DE 102007019044 A1                     |                  | 23-10-2008              | EP 2142223 A2 13-01-2010    |
|  |                  |                         | WO 2008128903 A2 30-10-2008 |
|  |                  |                         | US 2010035997 A1 11-02-2010 |
| <hr/>                                  |                  |                         |                             |
| US 2008021139                          | A1               | 24-01-2008              | NONE                        |
| <hr/>                                  |                  |                         |                             |
| US 2004253039                          | A1               | 16-12-2004              | AT 445435 T 15-10-2009      |
|  |                  | AU 2004246861 A1        | 23-12-2004                  |
|  |                  | CA 2528618 A1           | 23-12-2004                  |
|  |                  | EP 1633427 A1           | 15-03-2006                  |
|  |                  | WO 2004110545 A1        | 23-12-2004                  |
|  |                  | JP 2006527047 T         | 30-11-2006                  |