



- (51) **International Patent Classification:**
B62B 5/06 (2006.01) *B62B 3/02* (2006.01)
- (21) **International Application Number:**
PCT/US20 15/026450
- (22) **International Filing Date:**
17 April 2015 (17.04.2015)
- (25) **Filing Language:** English
- (26) **Publication Language:** English
- (30) **Priority Data:**
14/255,556 17 April 2014 (17.04.2014) US
14/689,403 17 April 2015 (17.04.2015) US
- (71) **Applicant:** HUNTINGDON TELEMED, LLC [US/US];
27499 Riverview Center Blvd., Suite 200, Bonita Springs,
FL 34 134 (US).
- (72) **Inventors:** UTTLEY, Thomas; 600 Fifth Ave. South,
Suite 201, Naples, FL 34102 (US). BOLL, David; 2200
Overlook Road, Cleveland, OH 44106 (US). RABBITT,
William; 2200 Overlook Road, Cleveland, OH 44106
(US). SZPAK, James; 2200 Overlook Road, Cleveland,
OH 44106 (US). TILK, Jason; 2200 Overlook Road,
Cleveland, OH 44106 (US). VYSTRCIL, Robert; 2200
Overlook Road, Cleveland, OH 44106 (US). STEPHENS,
Paul; 2200 Overlook Road, Cleveland, OH 44106 (US).

- (74) **Agent:** CARRION, Luis; 1621 Euclid Ave., Nineteenth
Floor, Cleveland, OH 441 15 (US).
- (81) **Designated States** (*unless otherwise indicated, for every
kind of national protection available*): AE, AG, AL, AM,
AO, AT, AU, AZ, BA, BB, BG, BH, BN, BR, BW, BY,
BZ, CA, CH, CL, CN, CO, CR, CU, CZ, DE, DK, DM,
DO, DZ, EC, EE, EG, ES, FI, GB, GD, GE, GH, GM, GT,
HN, HR, HU, ID, IL, IN, IR, IS, JP, KE, KG, KN, KP, KR,
KZ, LA, LC, LK, LR, LS, LU, LY, MA, MD, ME, MG,
MK, MN, MW, MX, MY, MZ, NA, NG, NI, NO, NZ, OM,
PA, PE, PG, PH, PL, PT, QA, RO, RS, RU, RW, SA, SC,
SD, SE, SG, SK, SL, SM, ST, SV, SY, TH, TJ, TM, TN,
TR, TT, TZ, UA, UG, US, UZ, VC, VN, ZA, ZM, ZW.
- (84) **Designated States** (*unless otherwise indicated, for every
kind of regional protection available*): ARIPO (BW, GH,
GM, KE, LR, LS, MW, MZ, NA, RW, SD, SL, ST, SZ,
TZ, UG, ZM, ZW), Eurasian (AM, AZ, BY, KG, KZ, RU,
TJ, TM), European (AL, AT, BE, BG, CH, CY, CZ, DE,
DK, EE, ES, FI, FR, GB, GR, HR, HU, IE, IS, IT, LT, LU,
LV, MC, MK, MT, NL, NO, PL, PT, RO, RS, SE, SI, SK,
SM, TR), OAPI (BF, BJ, CF, CG, CI, CM, GA, GN, GQ,
GW, KM, ML, MR, NE, SN, TD, TG).

Published:
— with international search report (Art. 21(3))

[Continued on nextpage]

(54) **Title:** PORTABLE MEDICAL CART SYSTEM

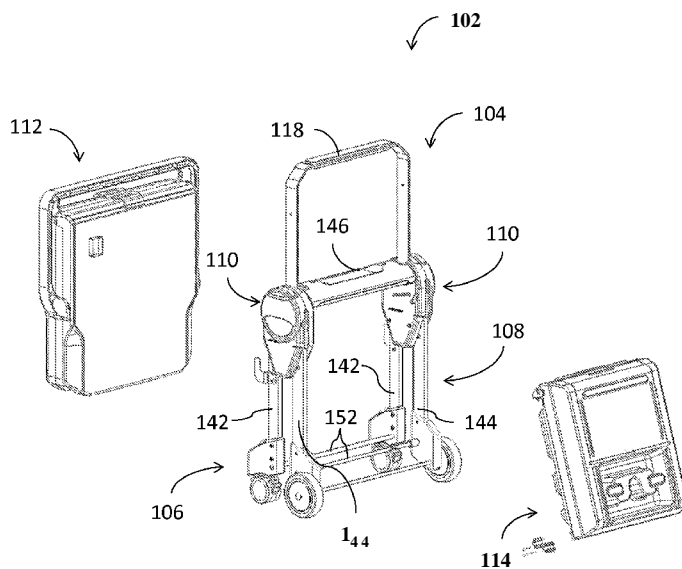
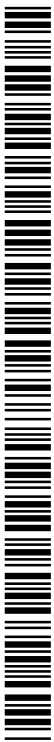


Fig. 5

(57) **Abstract:** A portable cart is convertible between a collapsed state for improving storage and transportation, and an expanded state for deploying a modular workstation that may be used for remote medical care. The cart includes a collapsible frame having support members (6,8) that are pivotable between an open and closed position, and a central upright frame (10) that guides a strut member (18) from a retracted position to an upright extended position. The strut member (18) is lockable in the upright position, and the workstation module is configured to mount to and dismount from the extended strut member (18). The workstation module may include an interface assembly that enables a patient to communicate with a doctor that is remotely located from the cart. A power module may also be mounted to the cart for powering the workstation module. The cart may easily be transported or stored by dismounting the workstation module and collapsing the frame.



— *before the expiration of the time limit for amending the claims and to be republished in the event of receipt of amendments (Rule 48.2(h))*

(88) Date of publication of the international search report:

10 December 2015

INTERNATIONAL SEARCH REPORT

International application No

PCT/US2015/026450

A. CLASSIFICATION OF SUBJECT MATTER

INV. B62B5/06 B62B3/02
ADD.

According to International Patent Classification (IPC) or to both national classification and IPC

B. FIELDS SEARCHED

Minimum documentation searched (classification system followed by classification symbols)

B62B

Documentation searched other than minimum documentation to the extent that such documents are included in the fields searched

Electronic data base consulted during the international search (name of data base and, where practicable, search terms used)

EPO-Internal, WPI Data

C. DOCUMENTS CONSIDERED TO BE RELEVANT

Category*	Citation of document, with indication, where appropriate, of the relevant passages	Relevant to claim No.
X	EP 1 632 416 AI (HAEGGBERG CHRISTIAN [CH]) 8 March 2006 [2006-03 -08] figures 2a-2c, 14b	1, 22
Y	----- US 2007/001413 AI (ROSSINI ALFRED P [us]) 4 January 2007 (2007-01-04) the whole document	2-6, 9-21 7, 8
Y	----- EP 2 626 273 A2 (HUMANSIZE CORP [US]) 14 August 2013 (2013-08-14) the whole document	9-20
Y	----- W0 98/26971 AI (FORM DESIGN CORP [JP]; FORWARD JAPAN CO LTD [JP]; MATSUMOTO TAMOTSU [J]) 25 June 1998 (1998-06-25) the whole document	9-20
	----- -/--	2-6, 21

Further documents are listed in the continuation of Box C.

See patent family annex.

* Special categories of cited documents:

"A" document defining the general state of the art which is not considered to be of particular relevance

"E" earlier application or patent but published on or after the international filing date

"L" document which may throw doubts on priority claim(s) or which is cited to establish the publication date of another citation or other special reason (as specified)

"O" document referring to an oral disclosure, use, exhibition or other means

"P" document published prior to the international filing date but later than the priority date claimed

"T" later document published after the international filing date or priority date and not in conflict with the application but cited to understand the principle or theory underlying the invention

"X" document of particular relevance; the claimed invention cannot be considered novel or cannot be considered to involve an inventive step when the document is taken alone

"Y" document of particular relevance; the claimed invention cannot be considered to involve an inventive step when the document is combined with one or more other such documents, such combination being obvious to a person skilled in the art

"&" document member of the same patent family

Date of the actual completion of the international search

2 July 2015

Date of mailing of the international search report

13/ 10/2015

Name and mailing address of the ISA/

European Patent Office, P.B. 5818 Patentlaan 2
NL - 2280 HV Rijswijk
Tel. (+31-70) 340-2040,
Fax: (+31-70) 340-3016

Authorized officer

Li ndner, Vo lker

INTERNATIONAL SEARCH REPORT

International application No PCT/US2015/026450

C(Continuation). DOCUMENTS CONSIDERED TO BE RELEVANT		
Category*	Citation of document, with indication, where appropriate, of the relevant passages	Relevant to claim No.
A	WO 2005/046390 A2 (JOHNSON KENNETH R [US] ; JOHNSON MELISSA A [US]) 26 May 2005 (2005-05-26) the whole document -----	1-22
A	US 2007/045975 A1 (YANG CHENG-FAN [TW]) 1 March 2007 (2007-03-01) the whole document -----	1-22
A	US 2009/127829 A1 (THOMAS WENDELL A [US]) 21 May 2009 (2009-05-21) the whole document -----	1-22

INTERNATIONAL SEARCH REPORT

International application No.
PCT/US2015/026450

Box No. II Observations where certain claims were found unsearchable (Continuation of item 2 of first sheet)

This international search report has not been established in respect of certain claims under Article 17(2)(a) for the following reasons:

1. Claims Nos.:
because they relate to subject matter not required to be searched by this Authority, namely:

2. Claims Nos.:
because they relate to parts of the international application that do not comply with the prescribed requirements to such an extent that no meaningful international search can be carried out, specifically:

3. Claims Nos.:
because they are dependent claims and are not drafted in accordance with the second and third sentences of Rule 6.4(a).

Box No. III Observations where unity of invention is lacking (Continuation of item 3 of first sheet)

This International Searching Authority found multiple inventions in this international application, as follows:

see additional sheet

1. As all required additional search fees were timely paid by the applicant, this international search report covers all searchable claims.

2. As all searchable claims could be searched without effort justifying an additional fees, this Authority did not invite payment of additional fees.

3. As only some of the required additional search fees were timely paid by the applicant, this international search report covers only those claims for which fees were paid, specifically claims Nos. :

4. No required additional search fees were timely paid by the applicant. Consequently, this international search report is restricted to the invention first mentioned in the claims; it is covered by claims Nos. :

1-22

Remark on Protest

The additional search fees were accompanied by the applicant's protest and, where applicable, the payment of a protest fee.

The additional search fees were accompanied by the applicant's protest but the applicable protest fee was not paid within the time limit specified in the invitation.

No protest accompanied the payment of additional search fees.

FURTHER INFORMATION CONTINUED FROM PCT/ISA/ 210

This International Searching Authority found multiple (groups of) inventions in this international application, as follows:

1. claims: 1-22

a cart comprising: a central upright frame configured to guide a strut member from a retracted position to an extended upright position; and a pivoting assembly pivotably disposed in relation to the central upright frame, wherein the pivoting assembly is operatively connected to the respective support members for enabling pivoting of the support members between the closed position and the open position.

2. claims: 23-33

A cart having a collapsible frame, comprising: a lockable hinge mechanism connecting respective upper portions of the support members, the hinge mechanism including: opposing hinge plates each having a locking slot radially spaced from the common axis, the hinge plates being rotatable relative to each other about the common axis; and a locking pin axially extending into the respective locking slots, the locking pin being radially moveable within the respective locking slots for enabling the respective hinge plates to move relative to each other between a locked position and an unlocked position; wherein the respective locking slots are configured with a lock portion having a surface for engaging the locking pin in the locked position and restricting relative movement of the hinge plates when the support members are in the closed position; and wherein the respective locking slots are configured with an unlock portion having a surface for engaging the locking pin in the unlocked position that enables radial movement of the locking pin for permitting the relative movement of the hinge plates when the support members are in the open position.

INTERNATIONAL SEARCH REPORT

Information on patent family members

International application No PCT/US2015/026450
--

Patent document cited in search report	Publication date	Patent family member(s)	Publication date
EP 1632416	A1	08-03-2006	NONE

US 2007001413	A1	04-01-2007	NONE

EP 2626273	A2	14-08-2013	EP 2626273 A2 14-08-2013
			US 2013200579 A1 08-08-2013
			US 2015245708 A1 03-09-2015

WO 9826971	A1	25-06-1998	DE 69619876 D1 18-04-2002
			DE 69619876 T2 27-06-2002
			EP 0941908 A1 15-09-1999
			US 6203054 B1 20-03-2001
			WO 9826971 A1 25-06-1998

WO 2005046390	A2	26-05-2005	CA 2545279 A1 26-05-2005
			EP 1686875 A2 09-08-2006
			US 2005099104 A1 12-05-2005
			US 2008012255 A1 17-01-2008
			WO 2005046390 A2 26-05-2005

US 2007045975	A1	01-03-2007	NONE

US 2009127829	A1	21-05-2009	NONE
