



US0D1065393S

(12) **United States Design Patent**  
**Glorioso et al.**

(10) **Patent No.:** **US D1,065,393 S**

(45) **Date of Patent:** **\*\* \*Mar. 4, 2025**

- (54) **PUTTER HEAD** 4,136,877 A \* 1/1979 Antonious ..... A63B 53/0487  
473/254
- (71) Applicant: **Topgolf Callaway Brands Corp.**,  
Carlsbad, CA (US) D251,077 S \* 2/1979 Strop ..... D21/740  
4,147,357 A \* 4/1979 Strop ..... A63B 53/0487  
473/251
- (72) Inventors: **Jack Glorioso**, Carlsbad, CA (US);  
**Luke Williams**, Carlsbad, CA (US);  
**Patrick Dawson**, Poway, CA (US);  
**Sean Toulon**, Vista, CA (US); **Taro**  
**Monuki**, Tokyo (JP); **Terakado Hiroki**,  
Tokyo (JP) D282,556 S \* 2/1986 Slagle ..... D21/740  
D290,984 S \* 7/1987 Antonious ..... D21/740  
D291,106 S \* 7/1987 Antonious ..... D21/740  
D293,355 S \* 12/1987 Wampler ..... D21/738  
D293,809 S \* 1/1988 Antonious ..... D21/740  
D293,926 S \* 1/1988 Antonious ..... D21/740  
D293,927 S \* 1/1988 Antonious ..... D21/738  
D294,059 S \* 2/1988 Antonious ..... D21/740  
D294,158 S \* 2/1988 Risk ..... D21/740  
D294,377 S \* 2/1988 Antonious ..... D21/740  
D294,512 S \* 3/1988 Antonious ..... D21/740
- (73) Assignee: **Topgolf Callaway Brands Corp.**,  
Carlsbad, CA (US)

(Continued)

(\* ) Notice: This patent is subject to a terminal disclaimer.

(\*\*) Term: **15 Years**

(21) Appl. No.: **29/888,652**

(22) Filed: **Apr. 3, 2023**

(51) **LOC (15) Cl.** ..... **21-02**

(52) **U.S. Cl.** ..... **D21/743**  
USPC .....

(58) **Field of Classification Search**  
USPC ..... D21/736-746, 759  
CPC ..... A63B 53/00; A63B 53/04; A63B 53/007;  
A63B 53/065; A63B 53/0487; A63B  
60/00; A63B 60/46

See application file for complete search history.

(56) **References Cited**

**U.S. PATENT DOCUMENTS**

- D207,227 S \* 3/1967 Solheim ..... D21/739
- D217,873 S \* 6/1970 Steele ..... 473/305
- D220,844 S \* 6/1971 Letters ..... 473/314
- D223,031 S \* 2/1972 Ernst ..... 473/314
- D239,951 S \* 5/1976 Carrier ..... D21/742
- D240,749 S \* 7/1976 Benson ..... D21/737
- 3,992,015 A \* 11/1976 Benson ..... A63B 53/007  
473/313

**OTHER PUBLICATIONS**

Golf putter google search; google.com; Aug. 13, 2024.\*  
Odyssey golf putter; callawaygolf.com; Aug. 13, 2024.\*  
Callaway golf putter google search; google.com; Aug. 13, 2024.\*

*Primary Examiner* — Mitchell I. Siegel

(74) *Attorney, Agent, or Firm* — Michael A. Catania

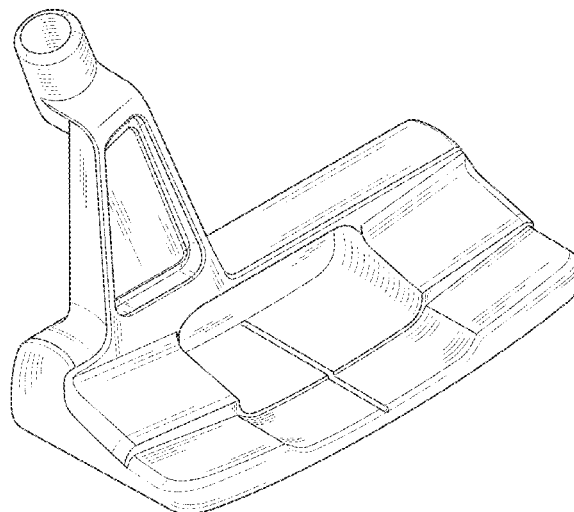
(57) **CLAIM**

The ornamental design for a putter head, as shown and described.

**DESCRIPTION**

FIG. 1 is a front elevation view of a putter head;  
FIG. 2 is a rear elevation view thereof;  
FIG. 3 is a top plan view thereof;  
FIG. 4 is a bottom plan view thereof;  
FIG. 5 is a heel-side elevation view thereof;  
FIG. 6 is a toe-side elevation view thereof; and,  
FIG. 7 is a top perspective view thereof.  
The broken lines shown in the drawings form no part of the claimed design.

**1 Claim, 4 Drawing Sheets**



(56)

References Cited

U.S. PATENT DOCUMENTS

D294,513 S *	3/1988	Antonious	.....	D21/738	6,506,125 B2	1/2003	Helmstetter et al.
D294,514 S *	3/1988	Antonious	.....	D21/740	D470,904 S	2/2003	Tang et al.
D299,043 S *	12/1988	Antonious	.....	D21/740	D471,245 S	3/2003	Tang et al.
D300,758 S *	4/1989	Antonious	.....	D21/740	D471,940 S	3/2003	Tang et al.
D305,055 S *	12/1989	Antonious	.....	D21/740	D472,594 S	4/2003	Tang et al.
4,948,140 A *	8/1990	Antonious	.....	A63B 53/02	D472,595 S	4/2003	Tang et al.
				473/341	D475,106 S	5/2003	Tang et al.
4,951,949 A *	8/1990	Kastenhuber	.....	A63B 53/02	D481,089 S	10/2003	Breier et al.
				473/313	D483,824 S	12/2003	Tang et al.
D310,699 S	9/1990	Parente et al.			D484,935 S	1/2004	Tang
D317,961 S *	7/1991	Antonious	.....	D21/740	D485,320 S	1/2004	Breier et al.
D317,963 S *	7/1991	Antonious	.....	D21/740	D485,321 S	1/2004	Breier et al.
D318,088 S *	7/1991	Antonious	.....	D21/740	D485,323 S	1/2004	Wagner et al.
D318,089 S *	7/1991	Antonious	.....	D21/740	D485,592 S	1/2004	Hettinger et al.
D322,108 S *	12/1991	Antonious	.....	D21/740	D486,194 S	2/2004	Helmstetter et al.
D322,112 S *	12/1991	Kastenhuber	.....	D21/740	D496,417 S	9/2004	Tang
D322,646 S *	12/1991	Antonious	.....	D21/740	D496,418 S	9/2004	Tang et al.
D322,647 S *	12/1991	Antonious	.....	D21/740	6,793,588 B2	9/2004	Tang et al.
D352,984 S	11/1994	Helmstetter et al.			D498,276 S *	11/2004	Schweigert ..... D21/743
D362,705 S *	9/1995	Sprecher	.....	D21/738	6,893,358 B2	5/2005	Dewanjee et al.
5,464,218 A	11/1995	Schmidt et al.			D506,237 S	6/2005	Byrne et al.
D365,130 S	12/1995	Schmidt et al.			6,905,420 B2	6/2005	Tang et al.
5,485,997 A	1/1996	Schmidt et al.			D508,546 S	8/2005	Oldknow
D368,126 S	3/1996	Magerman et al.			D508,723 S	8/2005	Rollinson et al.
5,505,447 A *	4/1996	Mockovak	.....	A63B 53/02	D510,394 S	10/2005	Tang et al.
				473/308	6,974,394 B1	12/2005	Tang et al.
D373,161 S	8/1996	Schmidt et al.			D513,777 S	1/2006	Cuellar
5,575,472 A	11/1996	Magerman et al.			6,984,181 B2	1/2006	Hettinger et al.
5,577,968 A *	11/1996	Pritchett	.....	A63B 53/02	D518,127 S	3/2006	Tang et al.
				473/340	D519,180 S	4/2006	Oldknow
D377,818 S	2/1997	Gray et al.			D520,583 S	5/2006	Rollinson et al.
D378,113 S	2/1997	Rollinson et al.			7,048,648 B2	5/2006	Breier et al.
D383,512 S	9/1997	Schmidt et al.			7,115,041 B2	10/2006	Guard et al.
D385,933 S	11/1997	Rollinson et al.			D532,066 S	11/2006	Tang
D388,851 S	1/1998	Rollinson et al.			D532,467 S	11/2006	Aguinaldo et al.
D393,033 S	3/1998	Sheets			D532,468 S	11/2006	Hettinger
D394,689 S	5/1998	Sheets			D532,844 S	11/2006	Rollinson
D394,690 S	5/1998	Sheets			D532,845 S	11/2006	Rollinson
D396,081 S	7/1998	Sheets			D532,847 S	11/2006	Rollinson
D396,082 S	7/1998	Sheets			D533,242 S	12/2006	Tang
D396,083 S	7/1998	Sheets			D533,613 S	12/2006	Byrne et al.
D396,258 S	7/1998	Sheets			D533,913 S	12/2006	Byrne et al.
D397,751 S *	9/1998	Karagozian	.....	D21/742	7,144,335 B2	12/2006	Breier et al.
D398,351 S	9/1998	Sheets et al.			7,147,569 B2	12/2006	Tang et al.
D398,352 S	9/1998	Sheets			D534,978 S	1/2007	Rollinson et al.
D399,275 S	10/1998	Sheets			D535,712 S *	1/2007	Toroussian ..... D21/749
D400,629 S *	11/1998	Markwardt	.....	D21/736	D539,865 S	4/2007	Tang et al.
D401,651 S	11/1998	Cleveland et al.			D545,385 S	6/2007	Tang et al.
D401,991 S	12/1998	Collins			7,244,191 B2	7/2007	Tang et al.
D402,343 S	12/1998	Helmstetter et al.			D548,293 S	8/2007	Cleveland et al.
D402,344 S	12/1998	Cleveland et al.			D548,296 S	8/2007	Rollinson
D402,722 S	12/1998	Rollinson			D557,361 S	12/2007	Rollinson
D404,451 S	1/1999	Sheets			7,344,451 B2	3/2008	Tang et al.
D405,856 S	2/1999	Tang et al.			D569,462 S	5/2008	Rollinson
D407,445 S	3/1999	Rollinson et al.			D572,780 S	7/2008	Rollinson
D419,213 S *	1/2000	Pritchett	.....	D21/744	D574,908 S	8/2008	Hettinger et al.
D420,411 S	2/2000	Hettinger			D575,366 S	8/2008	Rollinson
D428,457 S	7/2000	Rollinson et al.			D577,398 S	9/2008	Hilton
D429,297 S	8/2000	Hettinger			D582,497 S	12/2008	Rollinson
D438,272 S *	2/2001	Moore	.....	D21/736	D583,887 S *	12/2008	Cameron ..... D21/743
D441,042 S	4/2001	Hettinger			7,491,135 B1	2/2009	Rollinson
D443,320 S	6/2001	Breier et al.			D588,657 S	3/2009	Hettinger et al.
D443,906 S	6/2001	Hettinger et al.			D588,658 S	3/2009	De La Cruz et al.
D447,782 S	9/2001	Hettinger et al.			D589,575 S	3/2009	Kim et al.
D449,085 S	10/2001	Breier et al.			D590,034 S	4/2009	Foster et al.
D457,586 S	5/2002	Tang et al.			D590,035 S	4/2009	Hilton
D458,656 S	6/2002	Tang et al.			D590,461 S	4/2009	Kim et al.
D461,514 S	8/2002	Tang et al.			D590,462 S	4/2009	Hettinger et al.
D461,515 S	8/2002	Tang et al.			D590,463 S	4/2009	Hettinger et al.
D461,860 S	8/2002	Tang			D591,371 S	4/2009	Hilton
D461,861 S	8/2002	Tang et al.			D591,372 S	4/2009	Tang et al.
D462,100 S	8/2002	Breier et al.			D591,807 S	5/2009	Rollinson
D463,002 S	9/2002	Tang et al.			D592,717 S	5/2009	Rollinson
6,471,600 B2	10/2002	Tang et al.			D592,718 S	5/2009	Hettinger
D467,985 S	12/2002	Tang et al.			D592,719 S	5/2009	Hettinger et al.
					D594,517 S	6/2009	Tang et al.
					D595,372 S	6/2009	Rollinson
					D595,373 S	6/2009	Kim et al.
					D595,793 S	7/2009	Rollinson

(56)

References Cited

U.S. PATENT DOCUMENTS

D596,683 S	7/2009	Hettinger	
D603,006 S	10/2009	Foster et al.	
7,601,076 B2	10/2009	Rollinson	
7,677,987 B2	3/2010	Hilton	
D616,052 S *	5/2010	Chung .....	D21/738
D619,665 S	7/2010	Rollinson et al.	
D622,335 S	8/2010	Hilton et al.	
D623,251 S	9/2010	Rollinson	
D623,710 S	9/2010	Hilton et al.	
7,794,334 B2	9/2010	Hilton	
D624,978 S	10/2010	Rollinson	
D625,374 S	10/2010	Hettinger et al.	
D625,764 S	10/2010	Hilton et al.	
D626,191 S	10/2010	Hilton	
D628,255 S	11/2010	Rollinson	
7,828,675 B2	11/2010	Hilton	
D629,475 S	12/2010	Rollinson	
D630,690 S	1/2011	Rollinson	
D634,801 S	3/2011	Rollinson	
D635,625 S	4/2011	Rollinson	
D638,892 S *	5/2011	Hettinger .....	D21/743
D640,341 S	6/2011	Foster et al.	
D641,057 S	7/2011	Rollinson	
D641,438 S	7/2011	Rollinson	
D641,439 S	7/2011	Rollinson et al.	
D641,440 S	7/2011	Hettinger et al.	
D641,441 S	7/2011	Hilton et al.	
D641,442 S	7/2011	Rollinson	
D641,814 S	7/2011	Hilton et al.	
D641,815 S	7/2011	Rollinson et al.	
D641,816 S	7/2011	Rollinson et al.	
D643,893 S *	8/2011	Rollinson .....	D21/742
D650,453 S	12/2011	Rollinson	
D650,454 S	12/2011	Rollinson	
D650,456 S *	12/2011	Tang .....	D21/743
D650,457 S	12/2011	Rollinson	
D650,458 S	12/2011	Rollinson	
D650,459 S	12/2011	Rollinson	
D652,092 S	1/2012	Rollinson	
D652,465 S	1/2012	Rollinson	
D688,339 S *	8/2013	Hilton .....	D21/736
D688,340 S	8/2013	Tang et al.	
D688,341 S	8/2013	Rollinson	
D688,761 S	8/2013	Hilton et al.	
D688,762 S	8/2013	Hilton et al.	
D689,574 S *	9/2013	Rollinson .....	D21/743
D690,378 S	9/2013	Rollinson	
D691,225 S	10/2013	Hilton et al.	
D691,226 S	10/2013	Hilton et al.	
D691,681 S	10/2013	Hilton et al.	
D699,308 S	2/2014	Rollinson	
D701,274 S	3/2014	Rollinson	
D702,782 S *	4/2014	Wempe .....	D21/743
D704,287 S	5/2014	Tang et al.	
D704,782 S	5/2014	Rollinson	
D713,900 S	9/2014	Hilton	
D719,622 S	12/2014	Rollinson et al.	
D720,022 S	12/2014	Rollinson	
D720,023 S	12/2014	Rollinson	
D720,024 S	12/2014	Rollinson	
D720,411 S	12/2014	Rollinson	
D720,412 S	12/2014	Rollinson	
D726,270 S	4/2015	Rollinson	
D728,046 S *	4/2015	Chung .....	D21/743
9,033,812 B2 *	5/2015	Solheim .....	A63B 53/007 473/409
D731,605 S	6/2015	Rollinson	
D759,171 S	6/2016	Rollinson	
D759,172 S	6/2016	Rollinson et al.	
D759,173 S	6/2016	Rollinson	
D759,174 S	6/2016	Rollinson et al.	
D759,176 S	6/2016	Abbott et al.	
D759,177 S	6/2016	Abbott et al.	
D768,247 S	10/2016	Rollinson et al.	
D768,248 S	10/2016	Rollinson	
D769,383 S	10/2016	Abbott	
D769,385 S	10/2016	Tang et al.	
D769,993 S	10/2016	Abbott et al.	
D769,994 S	10/2016	Hunter	
D769,995 S	10/2016	Rollinson	
D769,996 S	10/2016	Abbott et al.	
D773,572 S	12/2016	Rollinson	
D773,573 S	12/2016	Abbott et al.	
9,517,394 B1	12/2016	Dacey et al.	
9,526,952 B1	12/2016	Dacey et al.	
D776,771 S	1/2017	Peterson	
D777,270 S	1/2017	Rollinson	
D779,006 S	2/2017	Abbott	
D784,468 S	4/2017	Rollinson et al.	
9,649,543 B2 *	5/2017	Solheim .....	A63B 53/007
D796,597 S *	9/2017	Serrano .....	D21/736
D797,871 S *	9/2017	Sebo .....	D21/736
D800,855 S	10/2017	Rollinson	
D801,458 S	10/2017	Rollinson et al.	
D801,459 S	10/2017	Rollinson et al.	
9,795,844 B1	10/2017	Dacey et al.	
D803,959 S	11/2017	Rollinson et al.	
9,925,434 B2 *	3/2018	Solheim .....	A63B 53/007
D817,424 S	5/2018	Toulon	
D817,425 S *	5/2018	Toulon .....	D21/759
D817,426 S	5/2018	Toulon	
D818,067 S	5/2018	Toulon et al.	
D818,551 S	5/2018	Toulon	
9,956,463 B2 *	5/2018	Franklin .....	A63B 60/54
D820,366 S	6/2018	Hilton et al.	
D827,064 S	8/2018	Wypych et al.	
D835,218 S	12/2018	Rollinson et al.	
D837,315 S *	1/2019	Rollinson .....	D21/743
10,173,105 B2 *	1/2019	Myers .....	A63B 53/0487
D842,406 S	3/2019	Toulon et al.	
D846,047 S	4/2019	Hilton	
D846,048 S	4/2019	Hilton	
D846,671 S	4/2019	Hilton et al.	
D846,672 S	4/2019	Rollinson et al.	
D852,301 S *	6/2019	Serrano .....	D21/743
D857,135 S *	8/2019	Serrano .....	D21/736
D859,544 S *	9/2019	Wang .....	D21/736
D860,350 S	9/2019	Rollinson	
D860,351 S *	9/2019	Rollinson .....	D21/743
D860,352 S	9/2019	Rollinson	
D860,353 S	9/2019	Rollinson	
D860,354 S	9/2019	Rollinson et al.	
D860,356 S	9/2019	Rollinson	
D860,357 S	9/2019	Rollinson	
D861,091 S	9/2019	Glorioso et al.	
D861,092 S	9/2019	Glorioso et al.	
D864,325 S *	10/2019	Rollinson .....	D21/743
D865,090 S *	10/2019	Rollinson .....	D21/743
D865,091 S	10/2019	Rollinson et al.	
D869,581 S *	12/2019	Aguilar .....	D21/743
D869,582 S	12/2019	Rollinson et al.	
D869,583 S	12/2019	Rollinson et al.	
D880,631 S	4/2020	DeMille et al.	
D888,174 S	6/2020	Rollinson et al.	
D890,277 S	7/2020	Rollinson et al.	
D892,243 S	8/2020	Rollinson et al.	
D894,300 S	8/2020	Hanet	
D895,747 S	9/2020	Rollinson	
D895,748 S	9/2020	Rollinson et al.	
D896,329 S	9/2020	Rollinson et al.	
D897,461 S	9/2020	Hanet	
D898,845 S *	10/2020	Clarke .....	D21/743
D905,184 S	12/2020	Rollinson et al.	
D905,185 S	12/2020	Rollinson et al.	
D907,147 S *	1/2021	Agrella .....	D21/743
D907,730 S	1/2021	Rollinson et al.	
D907,731 S	1/2021	Rollinson et al.	
D908,827 S	1/2021	Rollinson et al.	
D909,507 S	2/2021	Rollinson	
D909,508 S	2/2021	Rollinson	
D909,518 S	2/2021	Rollinson et al.	
D912,172 S	3/2021	Toulon et al.	
D912,173 S	3/2021	Toulon et al.	
D912,174 S	3/2021	Toulon et al.	

(56)

References Cited

U.S. PATENT DOCUMENTS

D912,175 S	3/2021	Toulon et al.	D959,584 S	8/2022	Toulon et al.	
D912,176 S	3/2021	Toulon et al.	D960,271 S	8/2022	Toulon et al.	
D912,746 S	3/2021	Toulon et al.	D961,028 S	8/2022	Toulon et al.	
D914,814 S	3/2021	DeMille et al.	D963,089 S *	9/2022	Wang .....	D21/743
D924,991 S *	7/2021	Demkowski .....	D965,090 S *	9/2022	Clarke .....	D21/743
D924,992 S *	7/2021	Demkowski .....	D967,914 S *	10/2022	Higdon .....	D21/743
D924,993 S	7/2021	Rollinson et al.	D971,359 S *	11/2022	Bonfilio .....	D21/759
D924,994 S	7/2021	Rollinson et al.	D972,058 S *	12/2022	Clarke .....	D21/743
D924,995 S	7/2021	Rollinson et al.	D974,508 S *	1/2023	Wang .....	D21/743
D925,675 S	7/2021	Hargraves et al.	D975,221 S *	1/2023	Wang .....	D21/743
D925,676 S	7/2021	Hargraves et al.	D975,811 S *	1/2023	Toulon .....	D21/736
D925,677 S *	7/2021	Demkowski .....	D977,046 S	1/2023	Toulon et al.	
D928,260 S *	8/2021	Serrano .....	D978,269 S *	2/2023	Toulon .....	D21/759
D929,523 S	8/2021	Toulon et al.	D978,996 S *	2/2023	Kamiya .....	D21/743
D933,765 S	10/2021	Toulon et al.	D979,678 S *	2/2023	Toulon .....	D21/736
D934,361 S	10/2021	Toulon et al.	D980,932 S *	3/2023	Toulon .....	D21/743
D934,362 S	10/2021	Toulon et al.	D981,515 S *	3/2023	Toulon .....	D21/743
D934,969 S	11/2021	Toulon et al.	D982,685 S *	4/2023	Toulon .....	D21/742
D943,692 S	2/2022	Rollinson et al.	D982,689 S *	4/2023	Toulon .....	D21/743
D944,348 S	2/2022	Kim et al.	D1,006,930 S *	12/2023	Serrano .....	D21/736
D945,546 S	3/2022	DeMille et al.	D1,008,390 S *	12/2023	Serrano .....	D21/743
D946,678 S	3/2022	Rollinson et al.	D1,012,213 S *	1/2024	Serrano .....	D21/736
D946,679 S	3/2022	Rollinson et al.	2002/0086739 A1 *	7/2002	Chiu .....	A63B 53/02
D946,680 S	3/2022	Rollinson et al.				473/340
D958,914 S	7/2022	Rollinson et al.	2010/0184531 A1 *	7/2010	Hwang .....	A63B 53/0487
D959,583 S	8/2022	Toulon et al.				473/340
			2010/0222155 A1 *	9/2010	Jones .....	A63B 53/0487
						473/341

\* cited by examiner

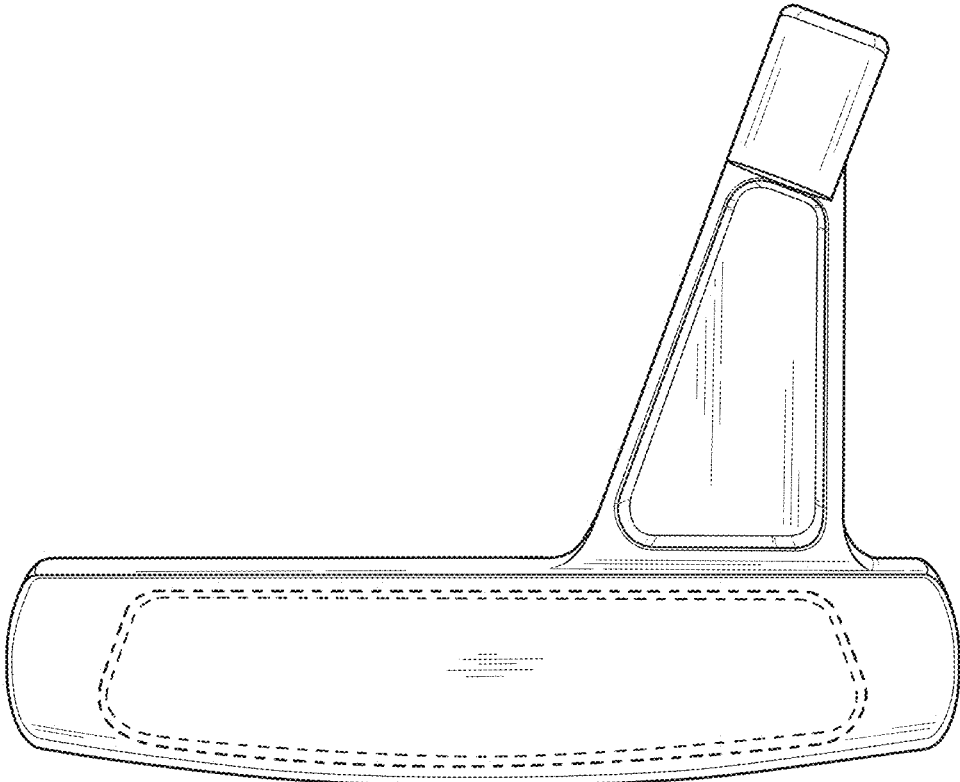


FIG. 1

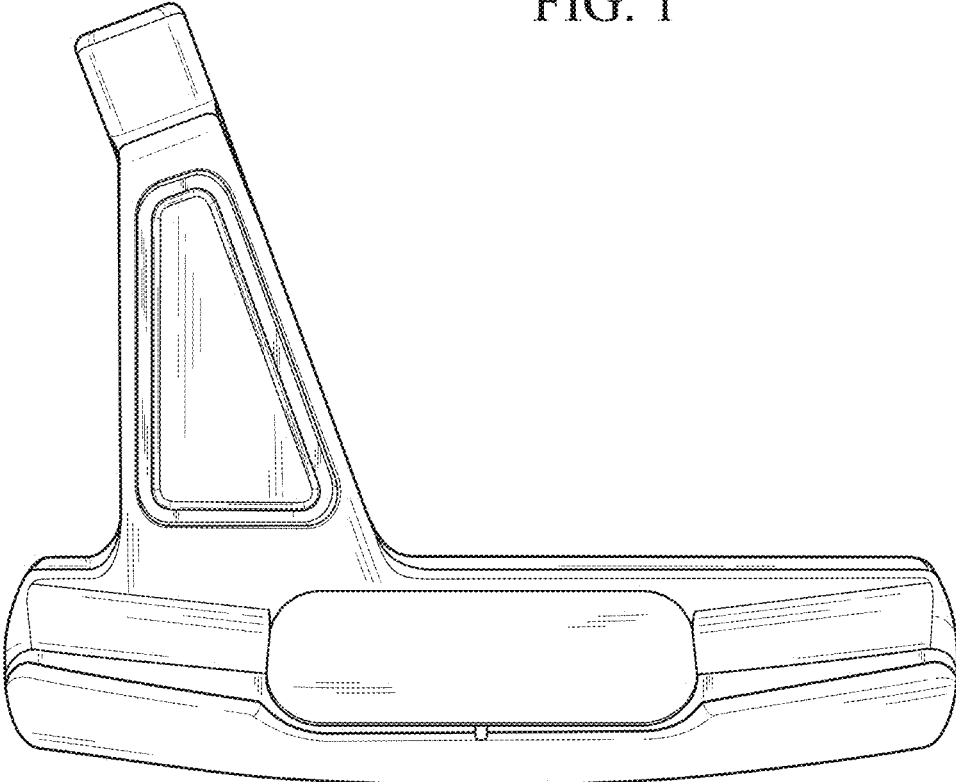


FIG. 2

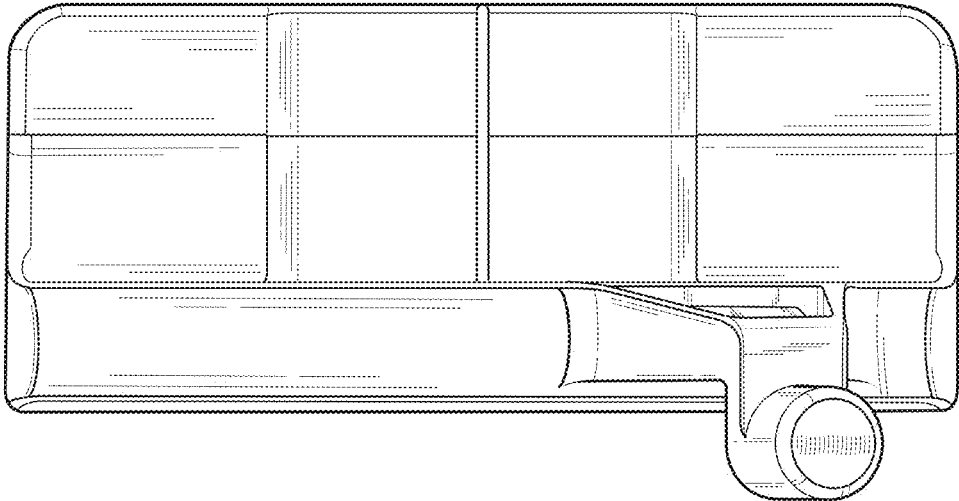


FIG. 3

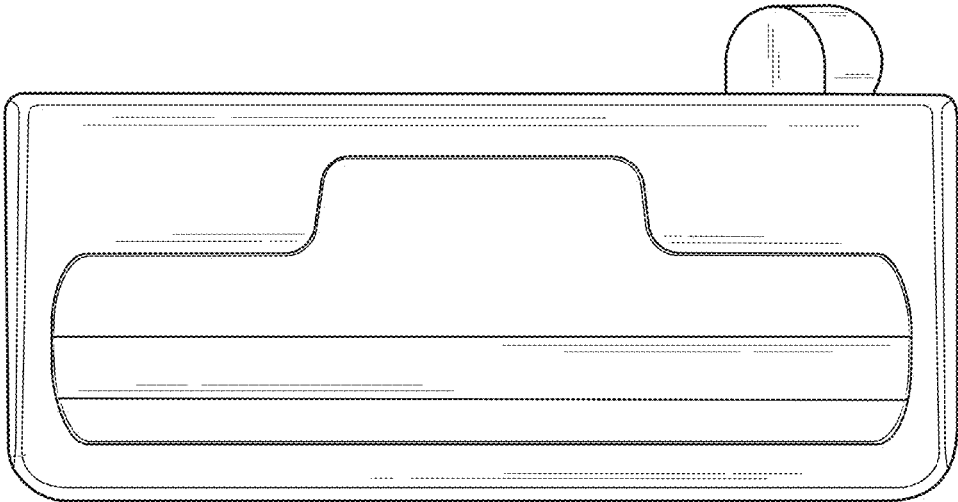


FIG. 4

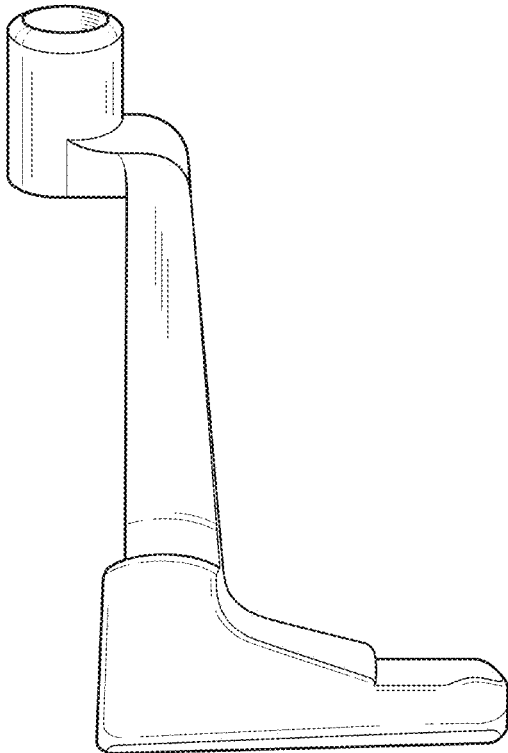


FIG. 5

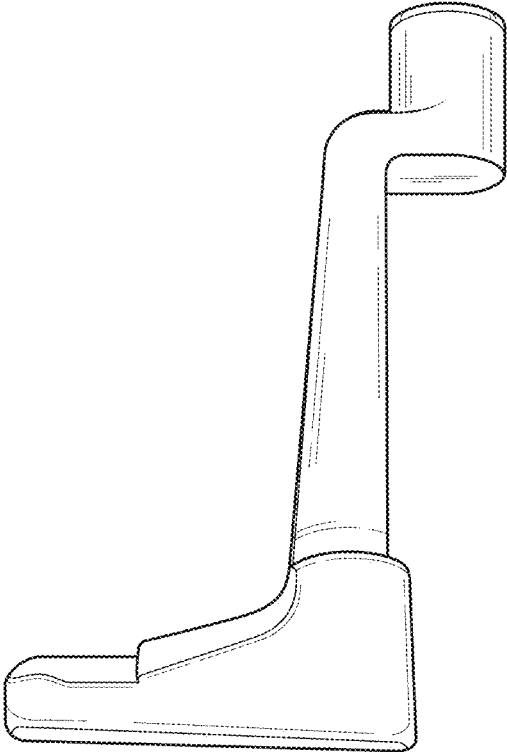


FIG. 6

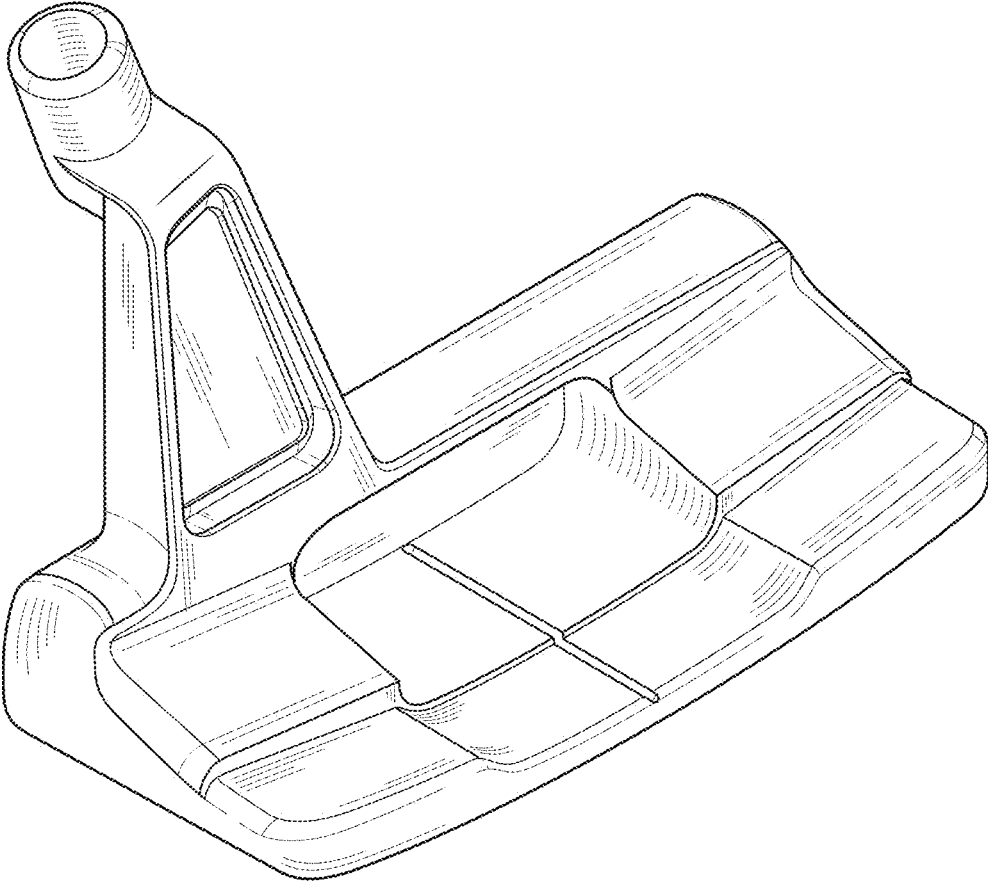


FIG. 7