



US00D616504S

(12) **United States Design Patent**
Andersen

(10) **Patent No.:** **US D616,504 S**

(45) **Date of Patent:** **** May 25, 2010**

(54) **TOY CONSTRUCTION SET ELEMENT**

(75) Inventor: **Henrik Andersen, Billund (DK)**

(73) Assignee: **Lego A/S, Billund (DK)**

(**) Term: **14 Years**

(21) Appl. No.: **29/315,657**

(22) Filed: **Jul. 14, 2009**

(30) **Foreign Application Priority Data**

Jan. 27, 2009 (EM) 001076178

(51) **LOC (9) Cl.** **21-01**

(52) **U.S. Cl.** **D21/491; D21/492; D21/503**

(58) **Field of Classification Search** D21/484,
D21/485, 486, 489, 490, 491, 492, 493, 494,
D21/495, 497, 500–506; 446/69, 85, 102–128;
434/208, 259, 403; 273/153, 156, 160
See application file for complete search history.

(56) **References Cited**

U.S. PATENT DOCUMENTS

- D285,101 S * 8/1986 Nakata D21/495
- D315,754 S * 3/1991 Eggert et al. D21/492
- D317,635 S * 6/1991 Eggert et al. D21/492
- D325,942 S * 5/1992 Hoyer D21/491

- D335,158 S * 4/1993 Rahbek D21/492
- D335,161 S * 4/1993 Rahbek D21/492
- D384,989 S * 10/1997 Andersen D21/491
- D537,484 S * 2/2007 Ganderton D21/494
- D546,902 S * 7/2007 Ganderton D21/494

* cited by examiner

Primary Examiner—Philip S Hyder

Assistant Examiner—Cynthia M Chin

(74) *Attorney, Agent, or Firm*—Day Pitney LLP

(57) **CLAIM**

The ornamental design for a toy construction set element, as shown and described.

DESCRIPTION

FIG. 1 is a bottom perspective view of the toy construction set element of the present design;

FIG. 2 is a top perspective view thereof;

FIG. 3 is a front view thereof;

FIG. 4 is a rear view thereof;

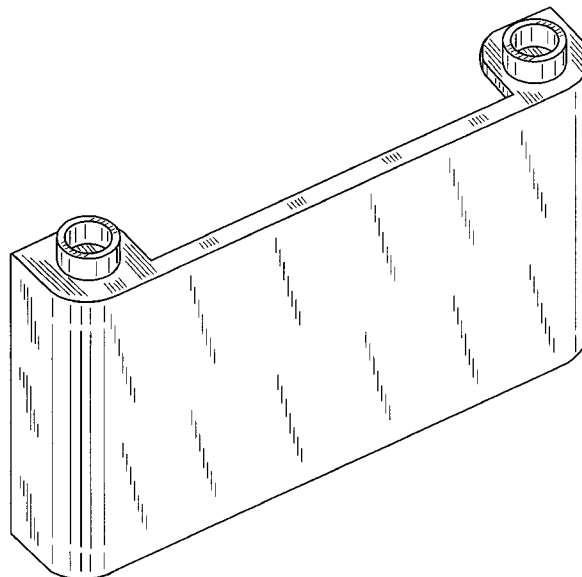
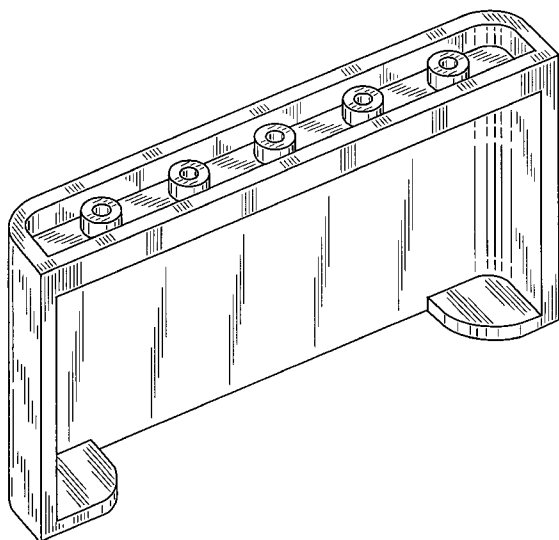
FIG. 5 is a bottom plan view thereof;

FIG. 6 is a top plan view thereof;

FIG. 7 is a right side view thereof; and,

FIG. 8 is a left side view thereof.

1 Claim, 8 Drawing Sheets



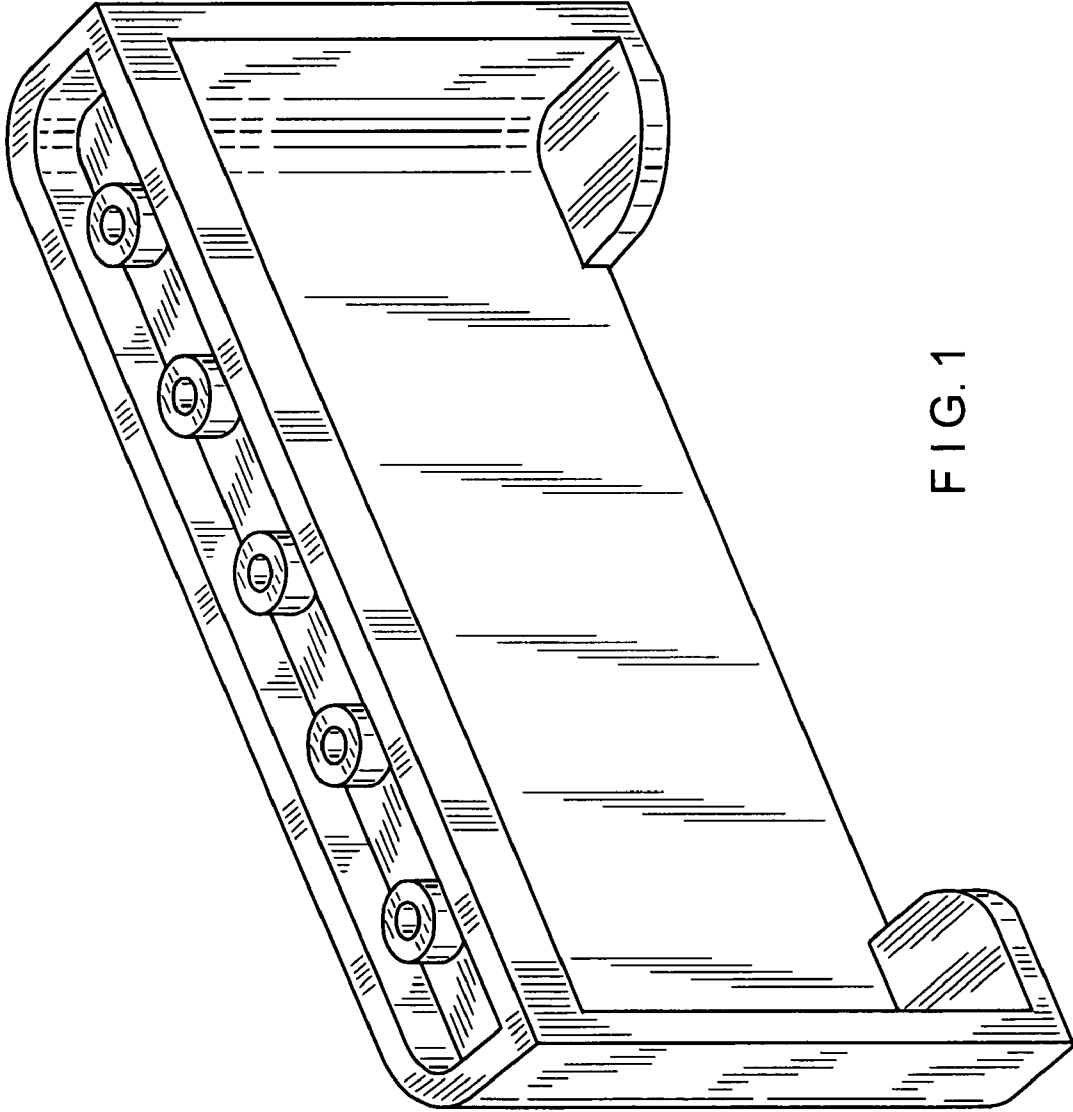


FIG. 1

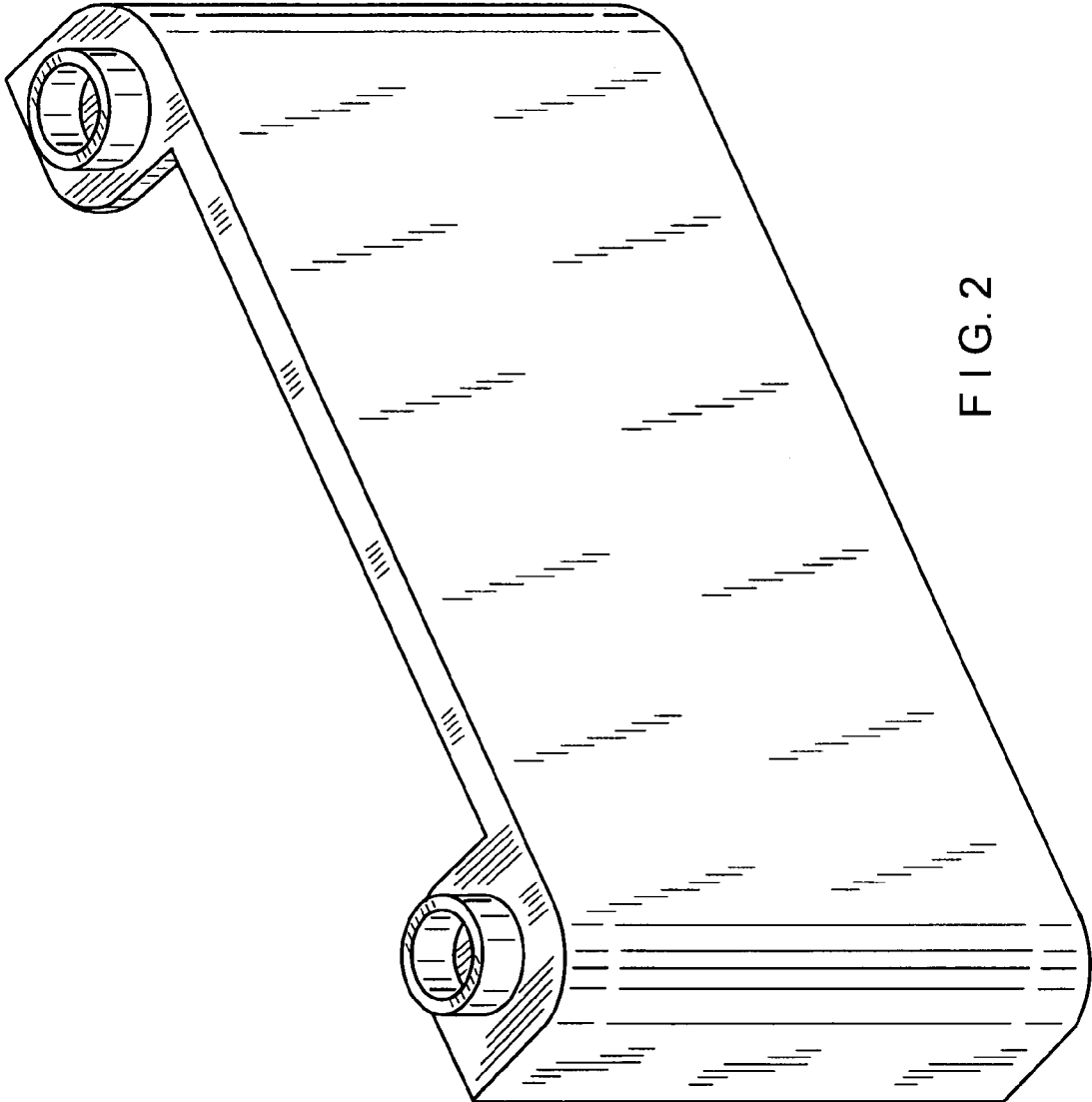


FIG. 2

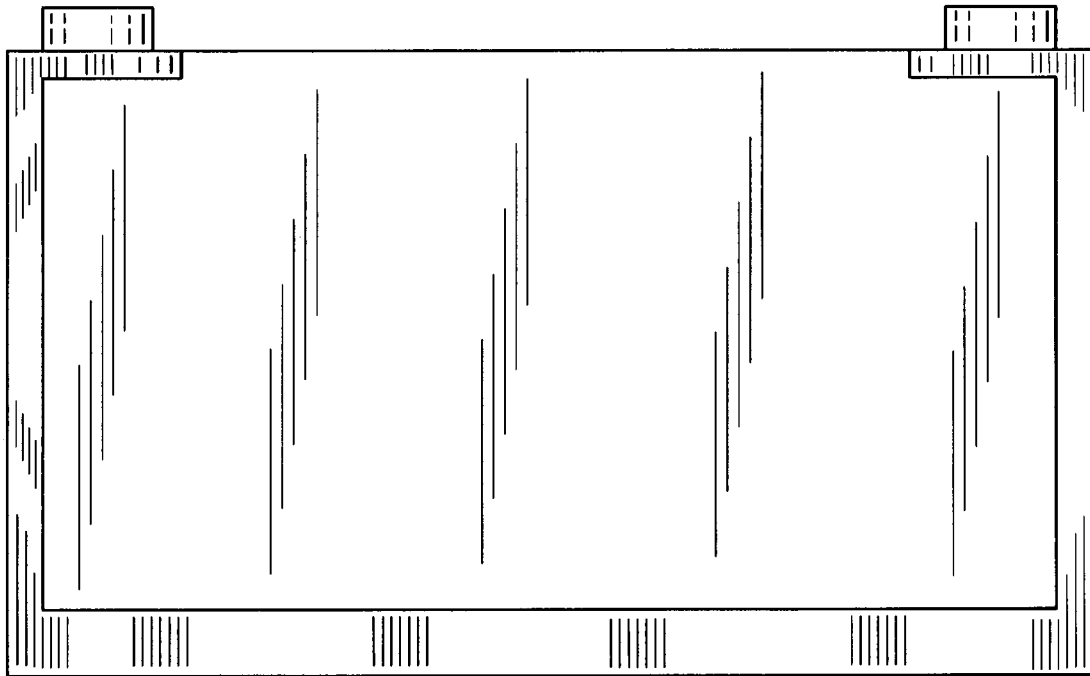


FIG. 3

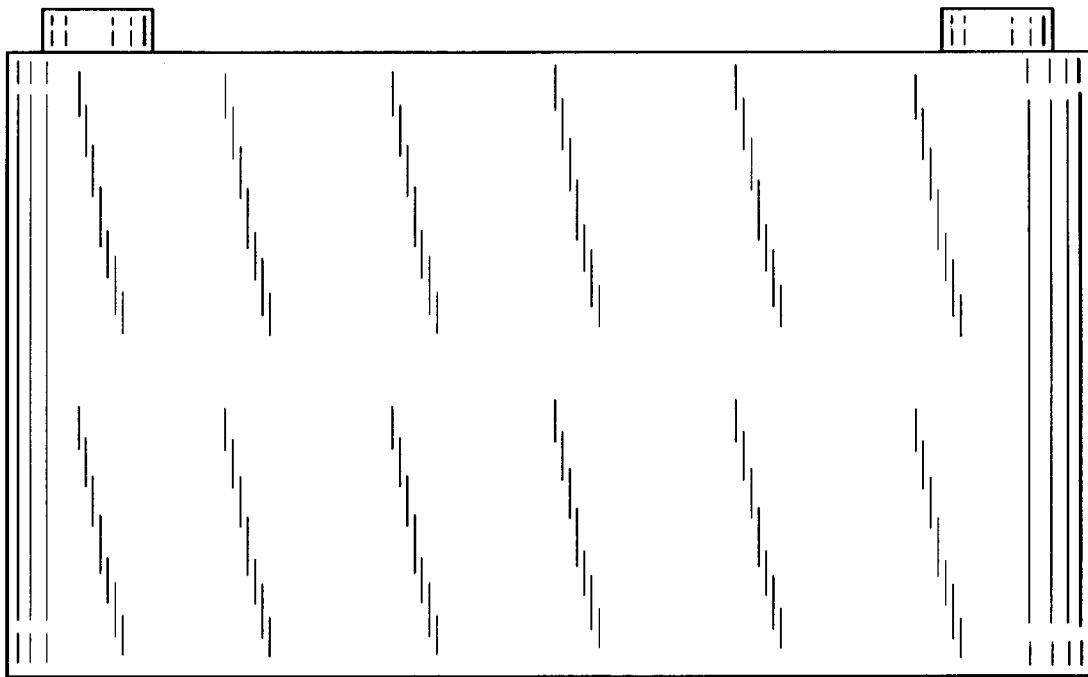


FIG. 4

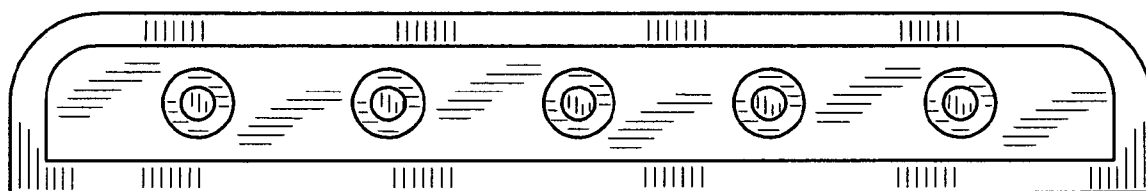


FIG. 5

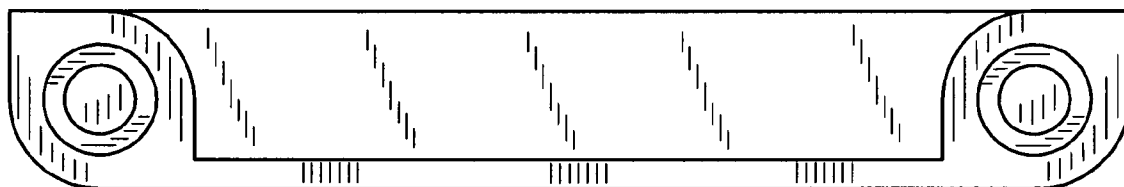


FIG. 6

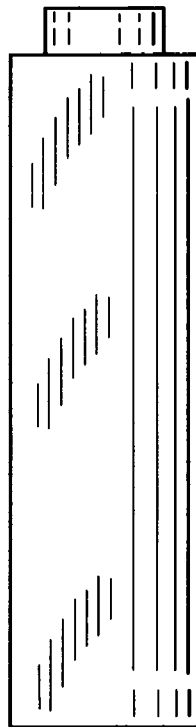


FIG. 7

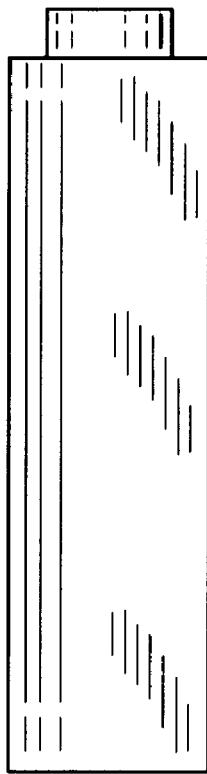


FIG. 8