



US00D748746S

(12) **United States Design Patent**
Eder

(10) **Patent No.:** **US D748,746 S**

(45) **Date of Patent:** **** Feb. 2, 2016**

(54) **FITNESS MACHINE DIAL**

(71) Applicant: **IncludeFitness, Inc.**, Cincinnati, OH (US)

(72) Inventor: **J. Ryan Eder**, Columbus, OH (US)

(73) Assignee: **IncludeFitness, LLC**, Cincinnati, OH (US)

(**) Term: **14 Years**

(21) Appl. No.: **29/495,186**

(22) Filed: **Jun. 27, 2014**

Related U.S. Application Data

(63) Continuation of application No. 29/441,838, filed on Jan. 10, 2013, now Pat. No. Des. 708,274.

(51) **LOC (10) Cl.** **21-02**

(52) **U.S. Cl.**
USPC **D21/694**

(58) **Field of Classification Search**

USPC D21/673, 694, 684, 662; 292/66;
D14/496, 246, 217, 438; 482/100;
D8/311, 310, 308; D22/108; D7/393;
D23/252, 238, 242, 254, 243, 313
CPC A63B 23/0494; A63B 2021/0616;
A63B 21/00065; A63B 21/0605; A63B
21/0615; A63B 21/062; A63B 21/075; A63B
21/08; A63B 21/1492; Y10T 137/87072
See application file for complete search history.

(56) **References Cited**

U.S. PATENT DOCUMENTS

D253,799 S * 1/1980 Saporito D23/243
D258,982 S * 4/1981 Saporito D23/242
D414,247 S * 9/1999 Kolada D23/252
D428,640 S * 7/2000 Pitsch D23/238
D448,271 S * 9/2001 Costello D8/311

D457,416 S * 5/2002 Caspersz D8/311
D462,421 S * 9/2002 Hundley D23/252
D468,808 S * 1/2003 Moore D23/252
D502,763 S * 3/2005 Ouyoung D23/252
D521,801 S * 5/2006 Huxhold D7/393
D531,702 S * 11/2006 Haug D23/252
D541,385 S * 4/2007 Haug D23/252
D544,866 S * 6/2007 Wang D14/438
D562,347 S * 2/2008 Morisawa D14/246
7,722,509 B2 5/2010 Eder
D634,156 S * 3/2011 Fuller D7/393
D652,119 S * 1/2012 Reid D23/252
D679,774 S * 4/2013 Burzel D22/108
D704,028 S * 5/2014 Meda D8/310
D708,274 S 7/2014 Eder
D726,159 S * 4/2015 Swendseid D14/217
D735,841 S * 8/2015 Obara D23/252
2008/0300116 A1 * 12/2008 Eder A63B 21/062
482/100
2014/0210218 A1 * 7/2014 Eder E05B 1/0053
292/66

* cited by examiner

Primary Examiner — Robert M Spear

Assistant Examiner — Ryan Harvey

(74) *Attorney, Agent, or Firm* — Jason H. Foster; Kremblas & Foster

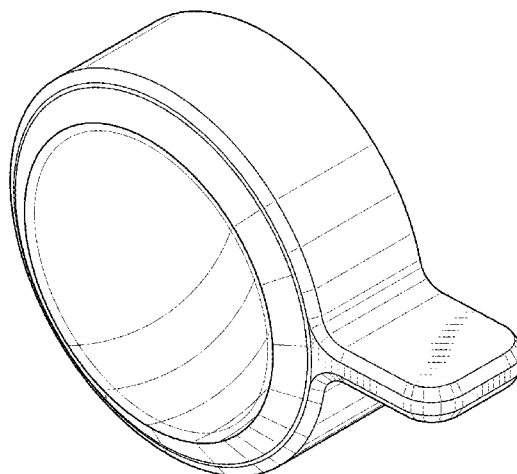
(57) **CLAIM**

The ornamental design for a fitness machine dial, as shown and described.

DESCRIPTION

FIG. 1 is a front perspective view of a fitness machine dial showing my new design;
FIG. 2 is a rear perspective view thereof;
FIG. 3 is a front view thereof;
FIG. 4 is a rear view thereof;
FIG. 5 is a top view thereof (the bottom view thereof is a mirror image of FIG. 5);
FIG. 6 is a left side view thereof; and,
FIG. 7 is a right side view thereof.

1 Claim, 3 Drawing Sheets



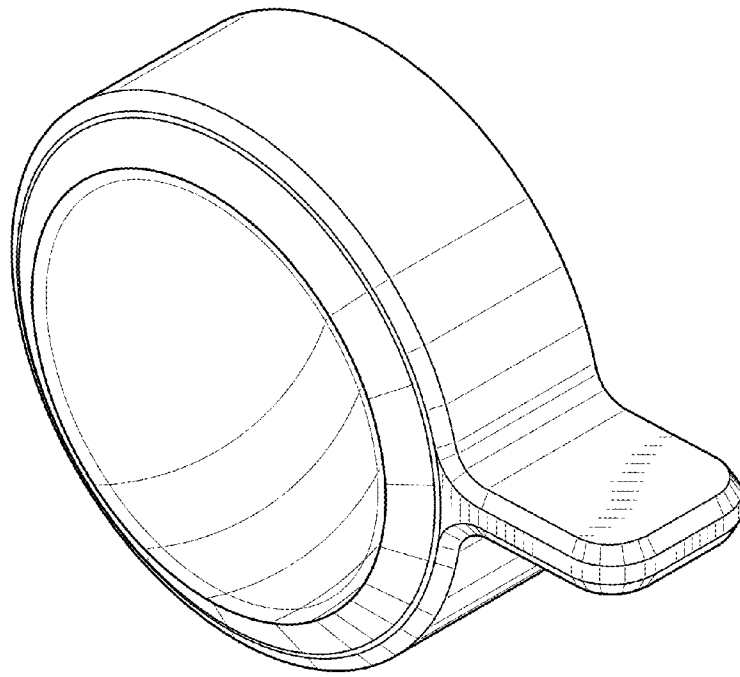


FIG. 1

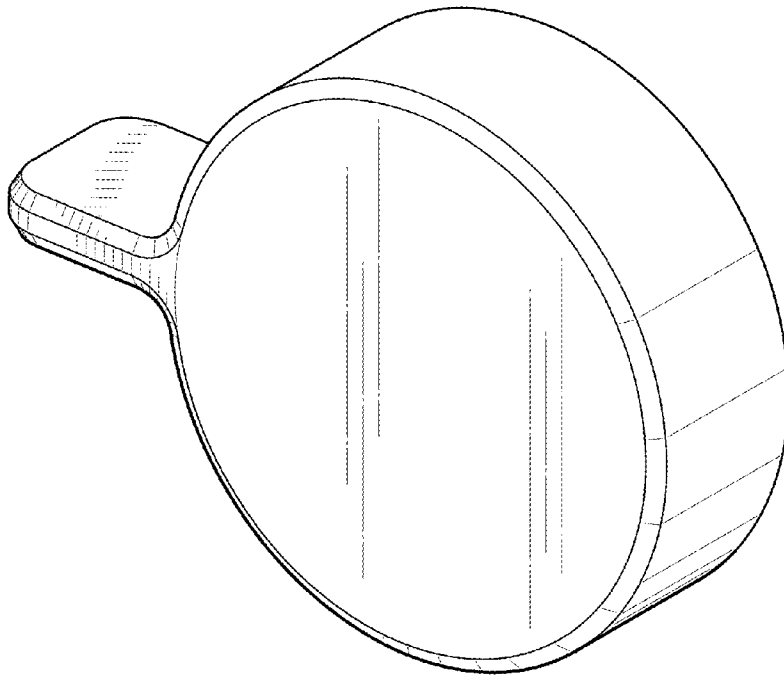


FIG. 2

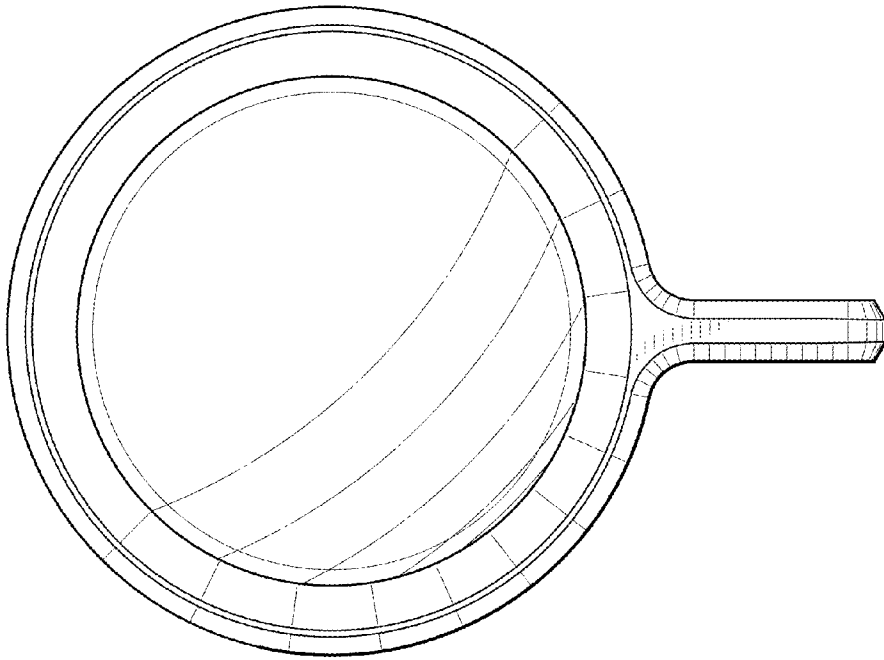


FIG. 3

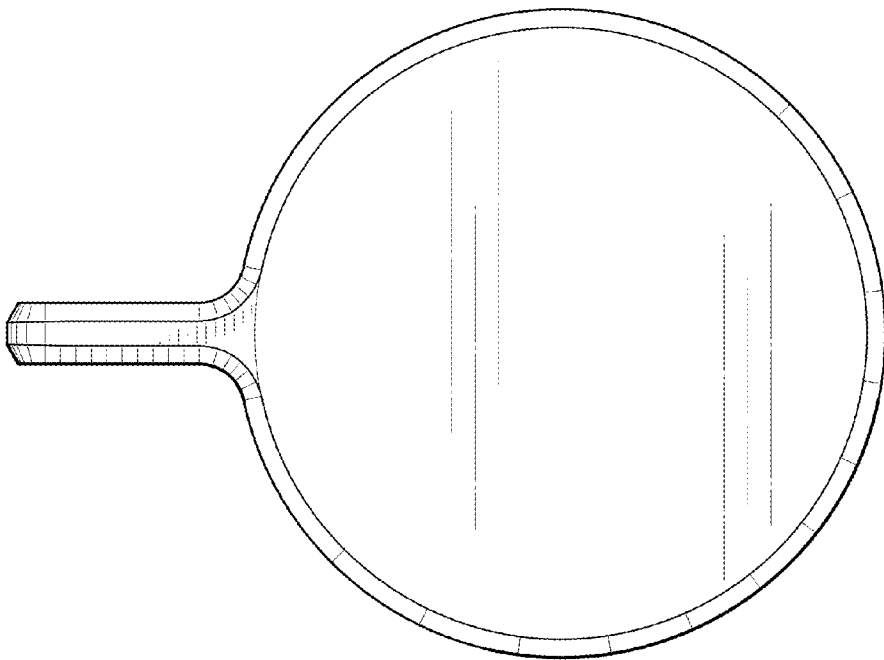


FIG. 4

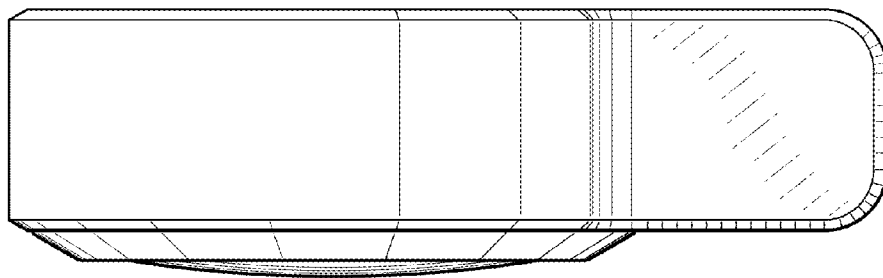


FIG. 5

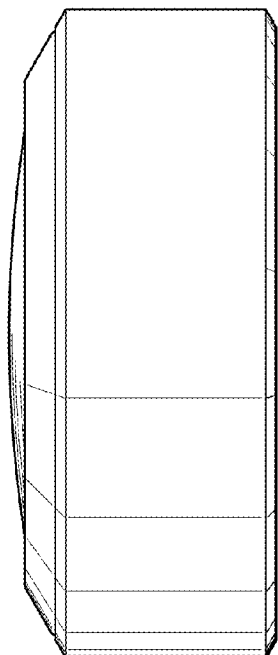


FIG. 6

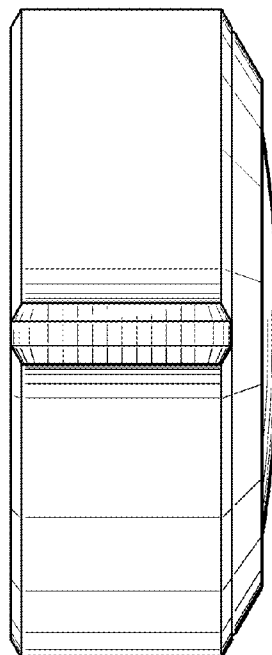


FIG. 7