

(12) **United States Design Patent**  
**Zhou**

(10) **Patent No.:** **US D1,069,014 S**  
(45) **Date of Patent:** **\*\* Apr. 1, 2025**

(54) **CANOPY**

**DESCRIPTION**

(71) Applicant: **Hui Zhou**, Jinhua (CN)  
(72) Inventor: **Hui Zhou**, Jinhua (CN)  
(\*\*) Term: **15 Years**  
(21) Appl. No.: **29/972,595**  
(22) Filed: **Nov. 12, 2024**  
(51) **LOC (15) Cl.** ..... **21-04**  
(52) **U.S. Cl.**  
USPC ..... **D21/837**  
(58) **Field of Classification Search**  
USPC ..... D21/511, 834, 836, 837, 838, 839;  
D12/401, 403; D25/56

(Continued)

(56) **References Cited**

**U.S. PATENT DOCUMENTS**

D649,616 S 11/2011 Bandini  
D649,617 S 11/2011 Bandini

(Continued)

**FOREIGN PATENT DOCUMENTS**

CN 307962774 \* 4/2023  
CN 308215942 \* 9/2023

(Continued)

**OTHER PUBLICATIONS**

Eagle Peak 8x6 Portable Walk-in Greenhouse, Pop-up Indoor Outdoor Garden Green House, Zippered Doors and Windows, PE Cover, Green, ASIN B07YTNCVC, Nov. 22, 2021. (Year: 2021).\*

*Primary Examiner* — Gino Colan

*Assistant Examiner* — Gregory G McLemore

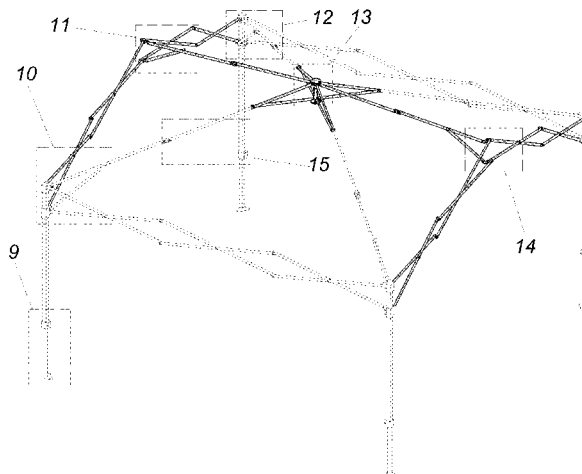
(74) *Attorney, Agent, or Firm* — Jose Cherson Weissbrot

(57) **CLAIM**

The ornamental design for a canopy, as shown and described.

FIG. 1 is a front, right, top perspective view of a canopy, showing my new design;  
FIG. 2 is a rear, left, bottom perspective view thereof;  
FIG. 3 is a front elevational view of the enlarged scale thereof;  
FIG. 4 is a rear elevational view of the enlarged scale thereof;  
FIG. 5 is a left side view of the enlarged scale thereof;  
FIG. 6 is a right side view of the enlarged scale thereof;  
FIG. 7 is a top plan view of the enlarged scale thereof;  
FIG. 8 is a bottom plan view of the enlarged scale thereof;  
FIG. 9 is an enlarged view of detail 9 in FIG. 1;  
FIG. 10 is an enlarged view of detail 10 in FIG. 1;  
FIG. 11 is an enlarged view of detail 11 in FIG. 1;  
FIG. 12 is an enlarged view of detail 12 in FIG. 1;  
FIG. 13 is an enlarged view of detail 13 in FIG. 1;  
FIG. 14 is an enlarged view of detail 14 in FIG. 1;  
FIG. 15 is an enlarged view of detail 15 in FIG. 1;  
FIG. 16 is an enlarged view of detail 16 in FIG. 2;  
FIG. 17 is an enlarged view of detail 17 in FIG. 2;  
FIG. 18 is an enlarged view of detail 18 in FIG. 2;  
FIG. 19 is an enlarged view of detail 19 in FIG. 2;  
FIG. 20 is an enlarged view of detail 20 in FIG. 2;  
FIG. 21 is an enlarged view of detail 21 in FIG. 3;  
FIG. 22 is an enlarged view of detail 22 in FIG. 3;  
FIG. 23 is an enlarged view of detail 23 in FIG. 3;  
FIG. 24 is an enlarged view of detail 24 in FIG. 3;  
FIG. 25 is an enlarged view of detail 25 in FIG. 3;  
FIG. 26 is an enlarged view of detail 26 in FIG. 3;  
FIG. 27 is an enlarged view of detail 27 in FIG. 5;  
FIG. 28 is an enlarged view of detail 28 in FIG. 5;  
FIG. 29 is an enlarged view of detail 29 in FIG. 7;  
FIG. 30 is an enlarged view of detail 30 in FIG. 7;  
FIG. 31 is an enlarged view of detail 31 in FIG. 7;  
FIG. 32 is an enlarged view of detail 32 in FIG. 7;  
FIG. 33 is an enlarged view of detail 33 in FIG. 7;  
FIG. 34 is an enlarged view of detail 34 in FIG. 7;  
FIG. 35 is an enlarged view of detail 35 in FIG. 8;  
FIG. 36 is an enlarged view of detail 36 in FIG. 8;  
FIG. 37 is an enlarged view of detail 37 in FIG. 8; and,  
FIG. 38 is an enlarged view of detail 38 in FIG. 8.

(Continued)



The dashed broken lines in the figures are for the purposes of illustrating portions of the canopy and form no part of the claimed design.

The dash-dot-dash broken lines are for notating enlarged views and form no part of the claimed design.

**1 Claim, 38 Drawing Sheets**

(58) **Field of Classification Search**

CPC ..... E04H 15/48; E04H 15/06; E04H 15/32;  
E04H 15/44; E04H 15/46; E04H 15/34;  
E04H 15/00

See application file for complete search history.

(56) **References Cited**

U.S. PATENT DOCUMENTS

D738,979 S 9/2015 Huhsovitz  
D851,195 S 6/2019 Anderson  
D854,107 S \* 7/2019 Choi ..... D21/834  
D980,374 S 3/2023 Wu  
D983,922 S 4/2023 Lah  
D983,923 S 4/2023 Lah  
D988,453 S 6/2023 Han  
D991,388 S 7/2023 Li

D1,029,169 S \* 5/2024 Chen ..... D21/839  
D1,038,306 S \* 8/2024 Qiu ..... D21/839  
D1,046,051 S \* 10/2024 Qiu ..... D21/839  
D1,054,518 S \* 12/2024 Qiu ..... D21/839  
D1,057,388 S \* 1/2025 Qian ..... D21/837  
2018/0238075 A1 \* 8/2018 Yang ..... E04H 15/44  
2019/0277053 A1 \* 9/2019 Yang ..... E04H 15/52  
2020/0157838 A1 \* 5/2020 Yuan ..... E04H 15/50  
2020/0181938 A1 \* 6/2020 Xu ..... E04H 15/50  
2021/0040766 A1 \* 2/2021 Sun ..... E04H 15/32  
2022/0228397 A1 \* 7/2022 Yang ..... E04H 15/54  
2022/0412117 A1 \* 12/2022 Yan ..... E04H 15/64  
2023/0193651 A1 \* 6/2023 Qiu ..... E04H 15/50  
135/128  
2023/0220699 A1 \* 7/2023 Yuan ..... E04H 15/46  
135/139  
2023/0295951 A1 \* 9/2023 Choi ..... E04H 15/48  
135/143  
2024/0011319 A1 \* 1/2024 Yan ..... E04H 15/54  
2024/0263483 A1 \* 8/2024 Zhu ..... E04H 15/50  
2024/0376743 A1 \* 11/2024 Wang ..... E04H 15/48

FOREIGN PATENT DOCUMENTS

GB 6405260 \* 11/2024  
GB 6405262 \* 11/2024  
GB 6405263 \* 11/2024

\* cited by examiner

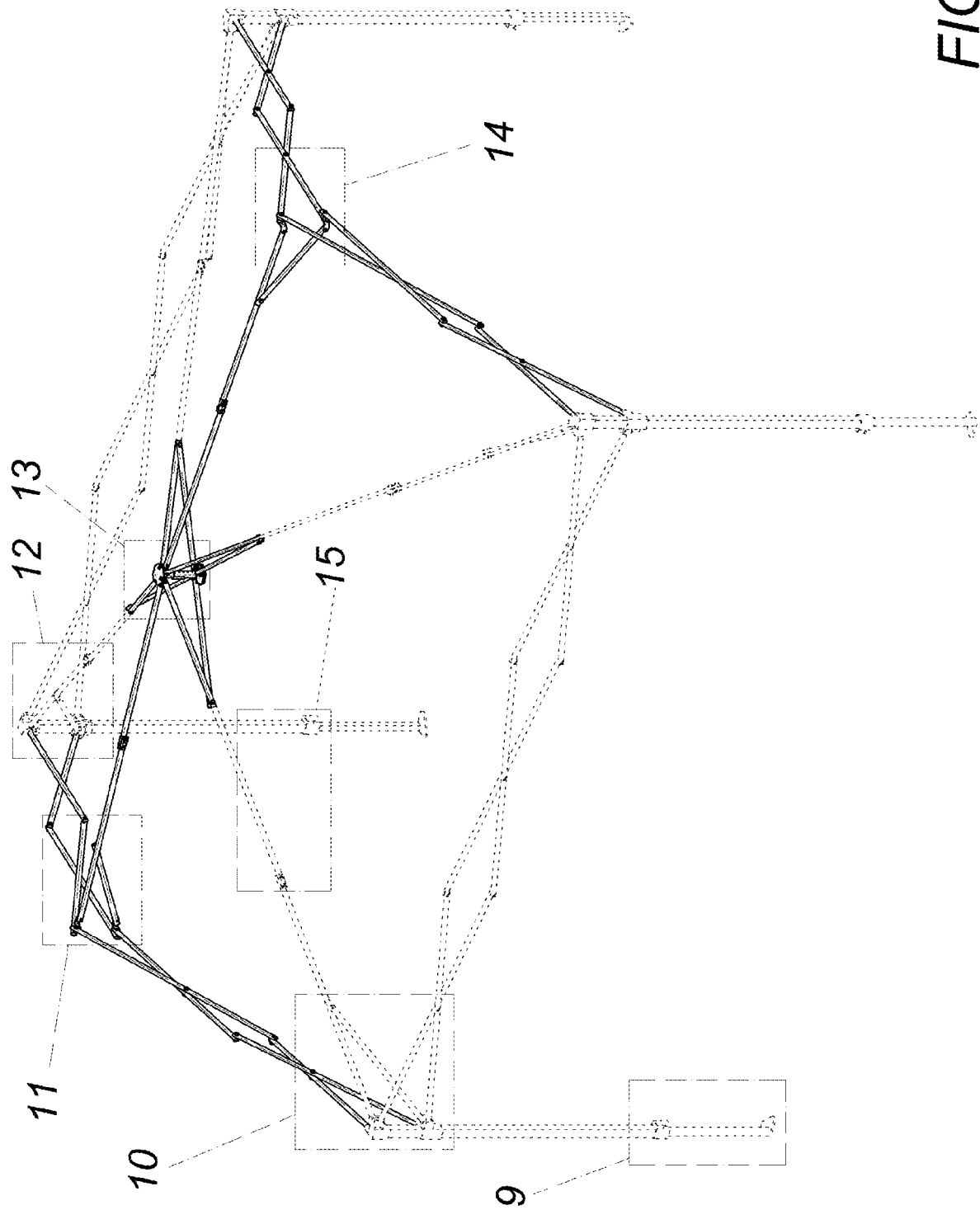


FIG.1

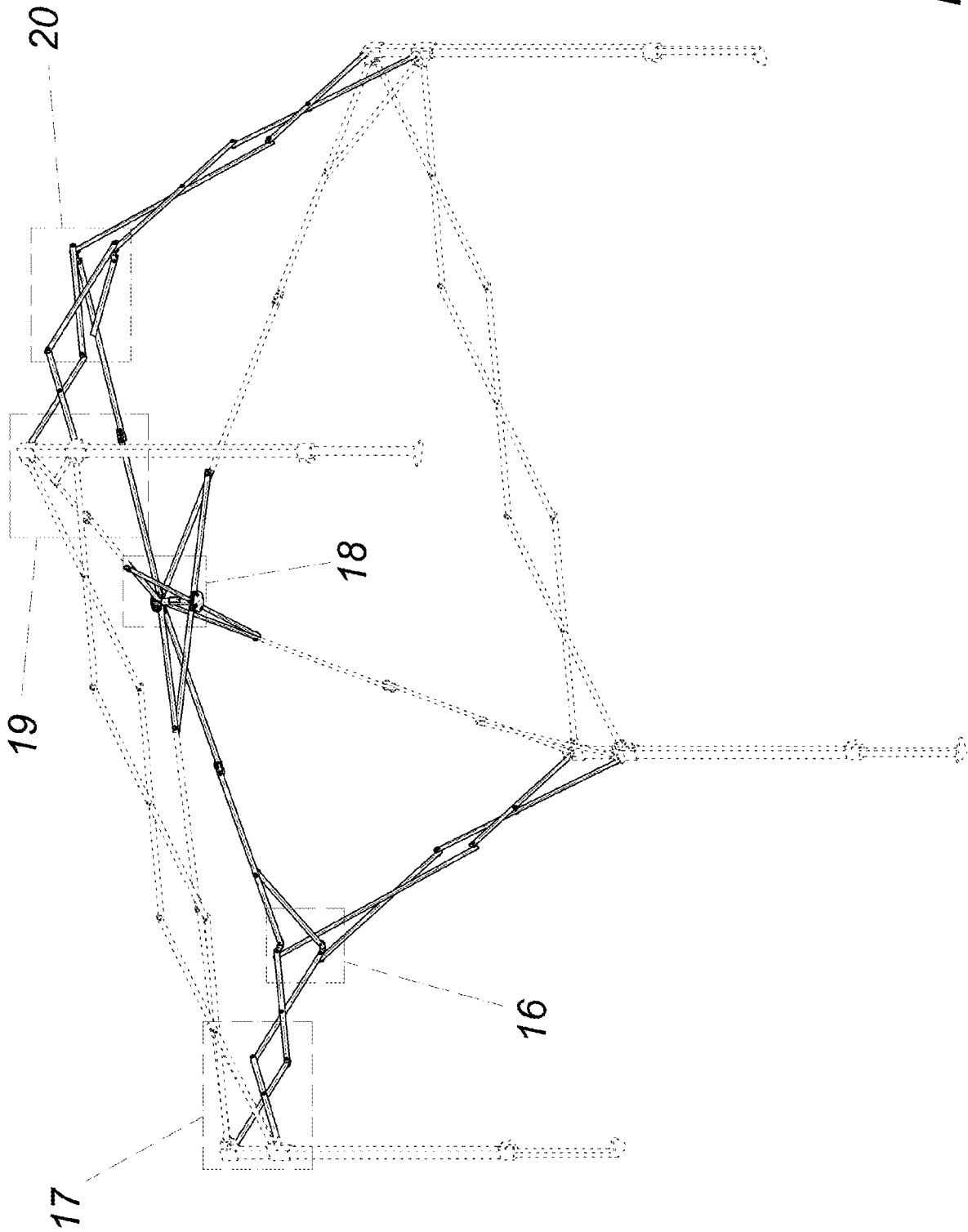


FIG. 2

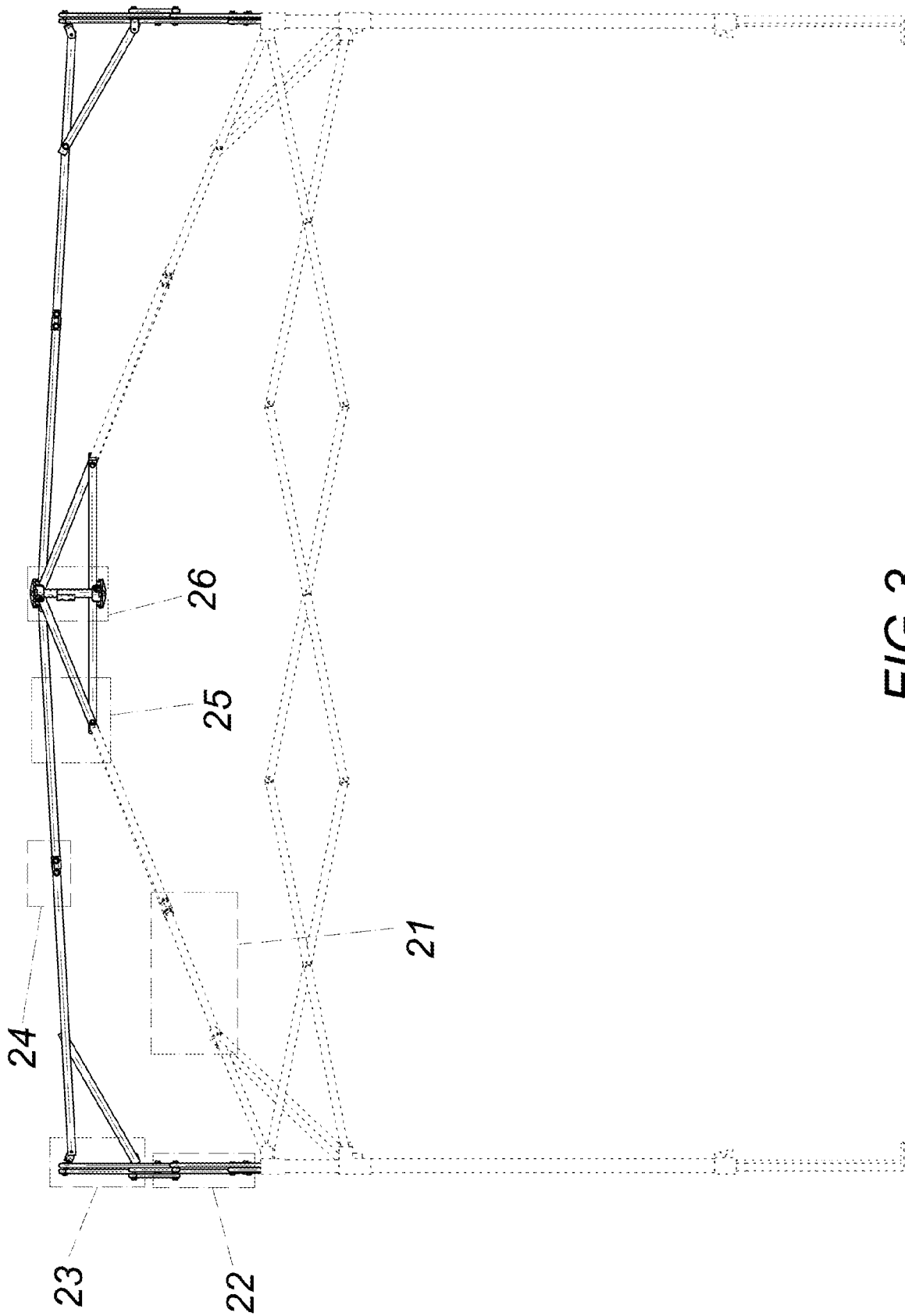


FIG.3



FIG.4

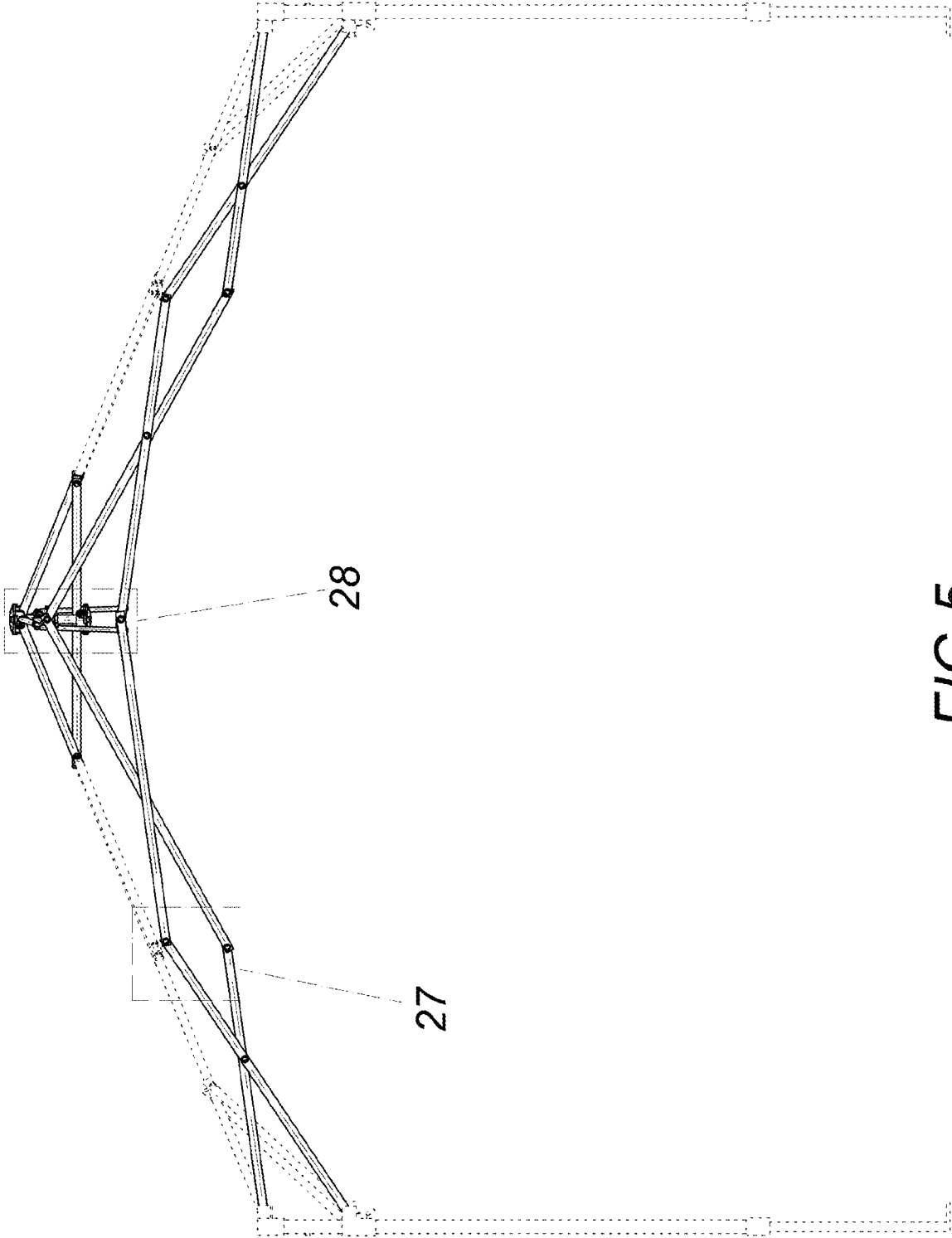


FIG.5



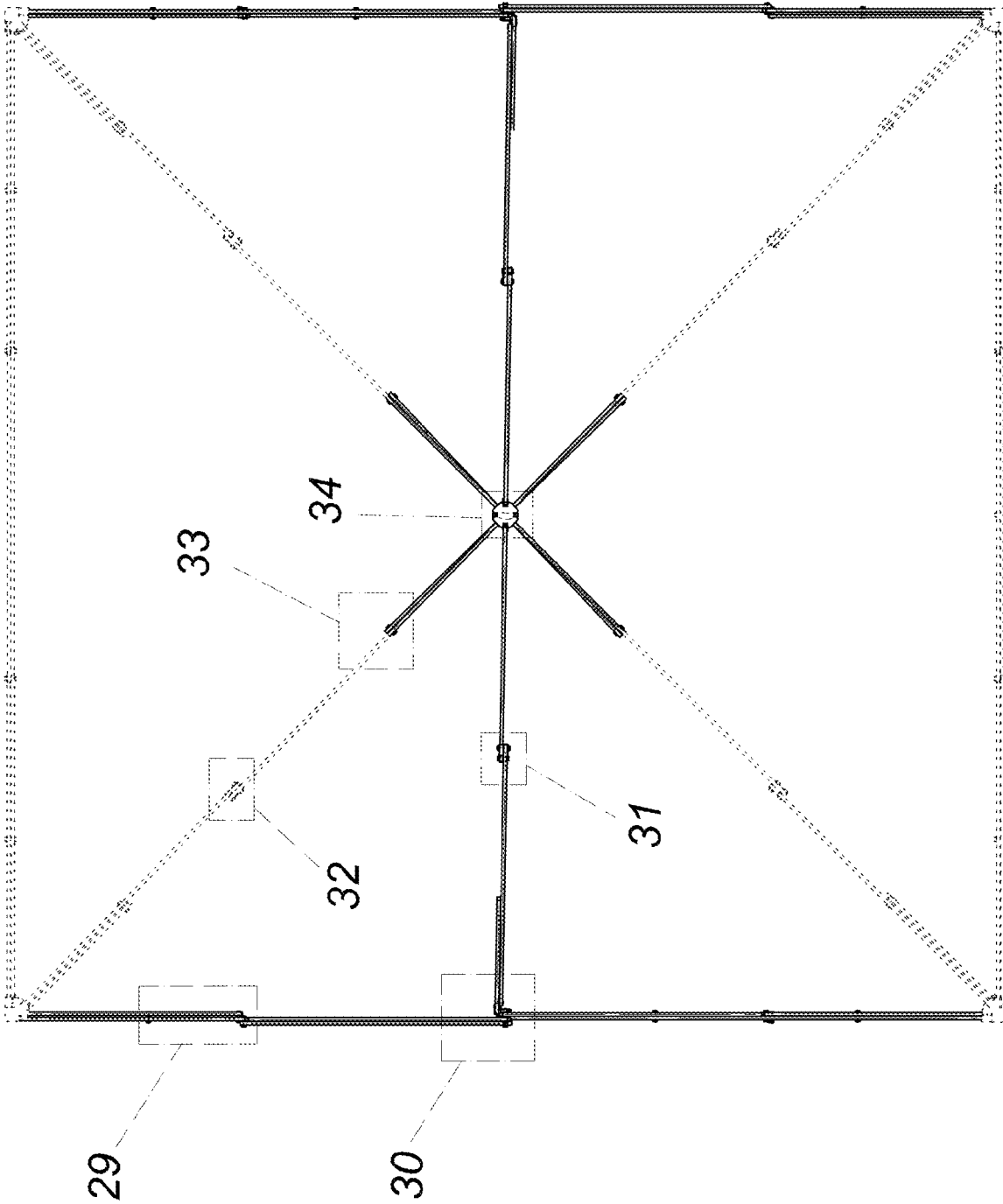


FIG. 7

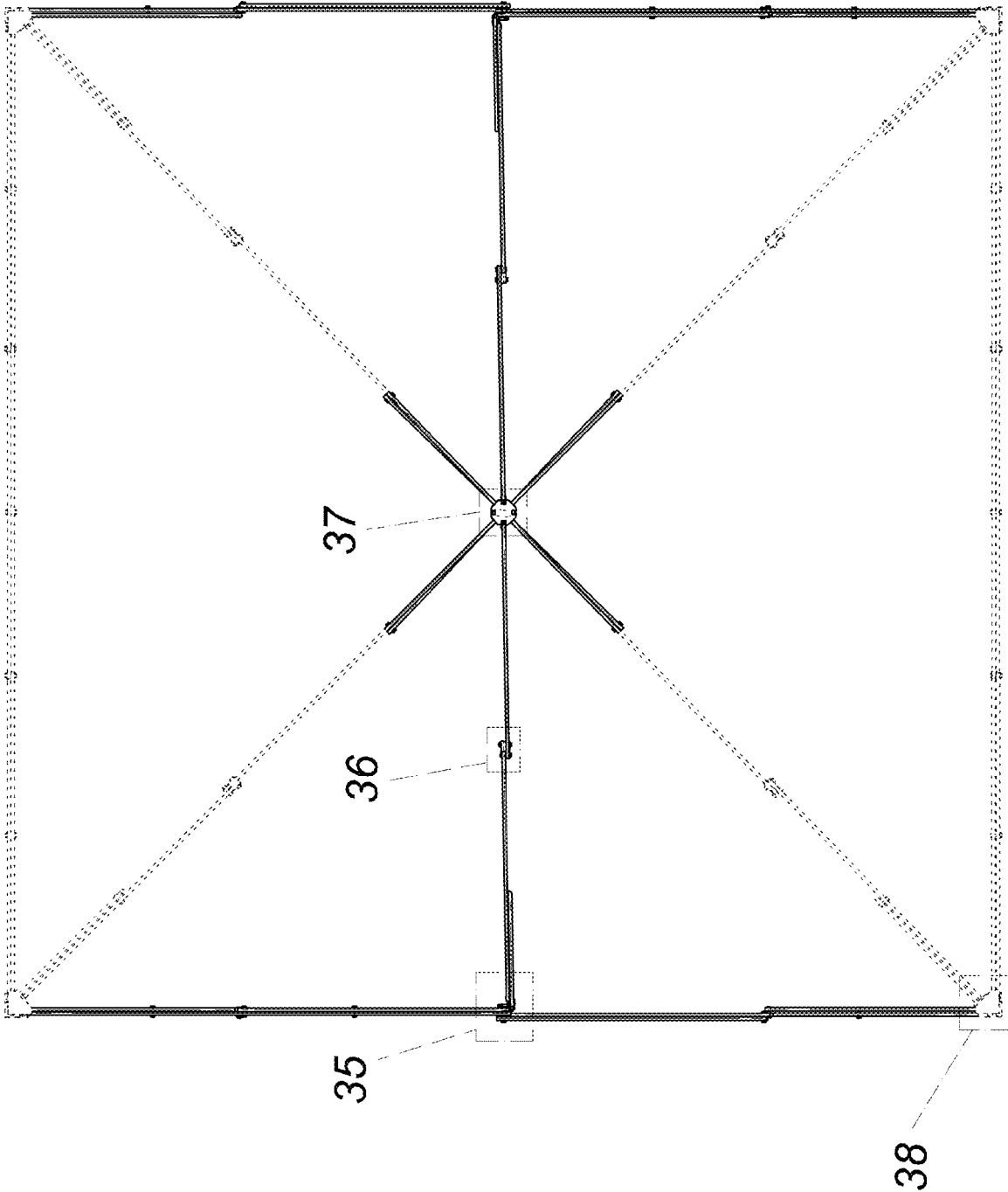


FIG. 8

FIG. 9

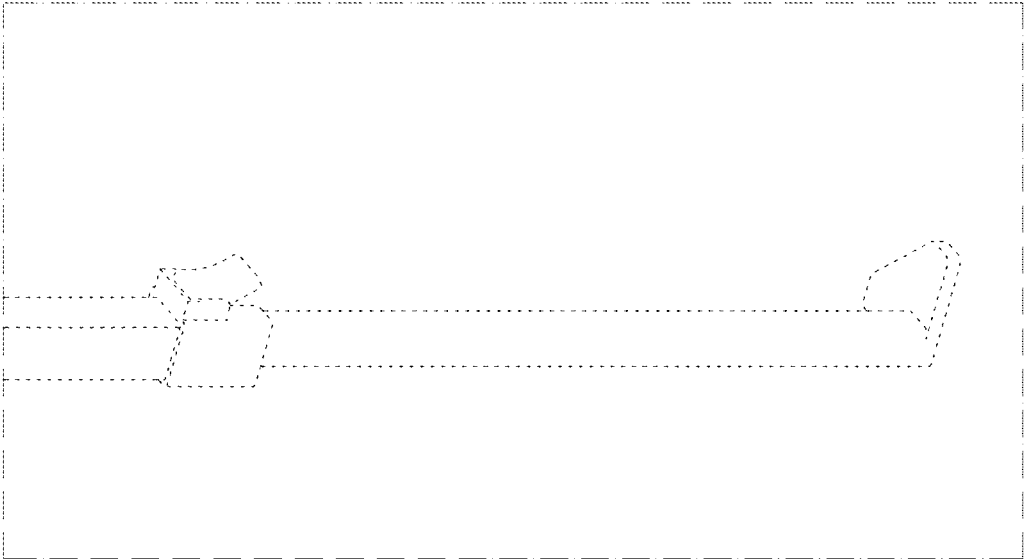
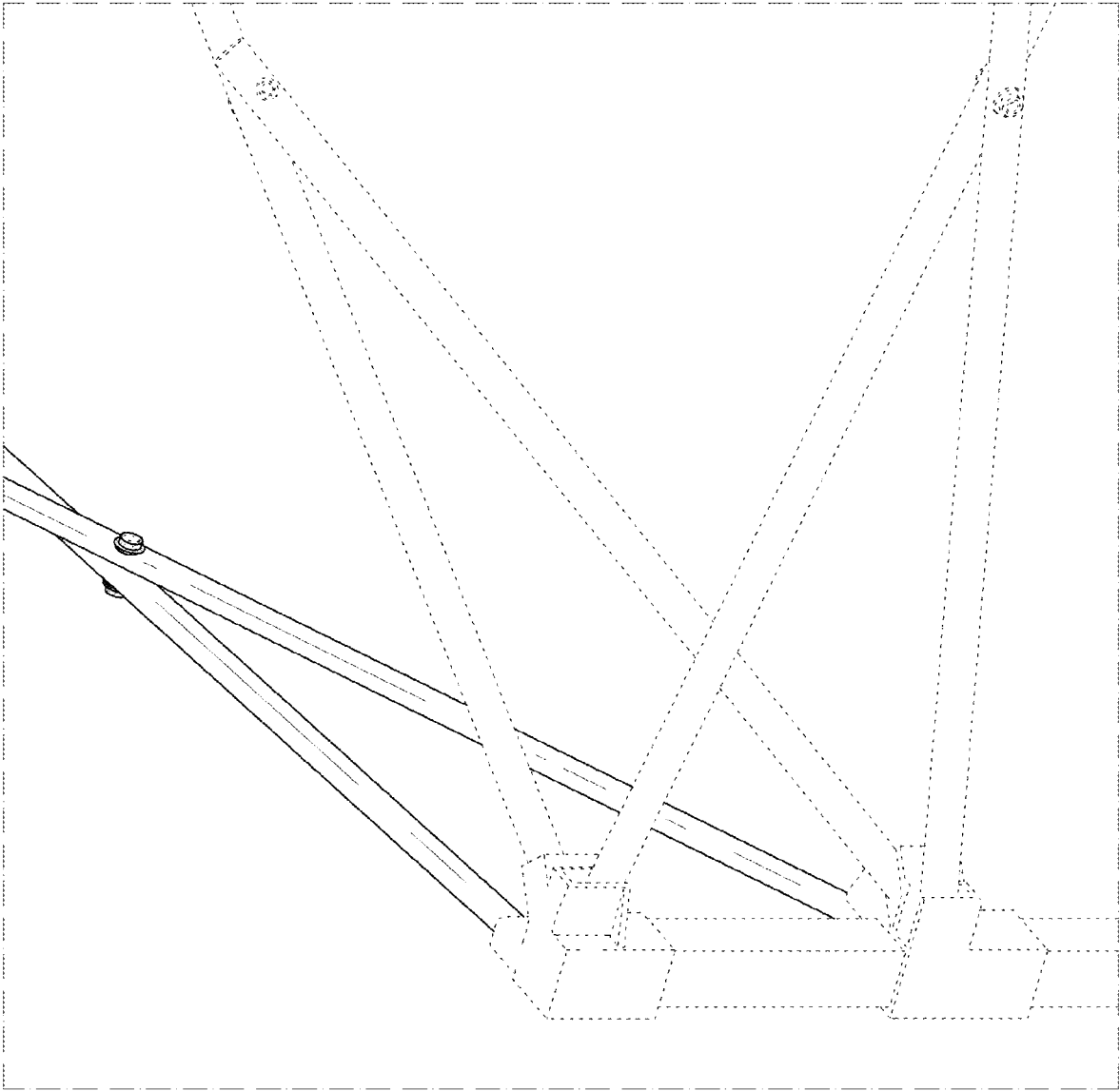


FIG. 10



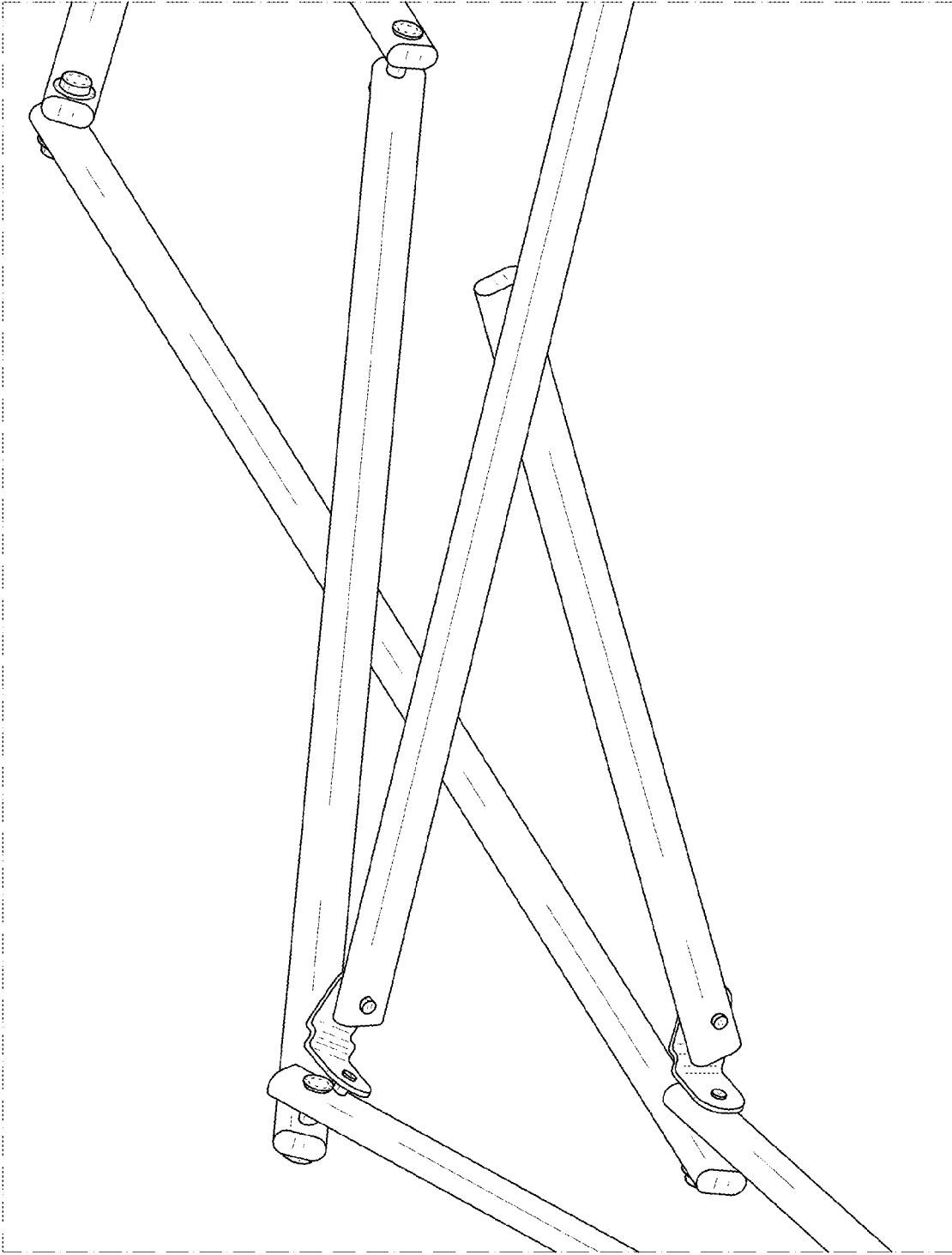


FIG. 11

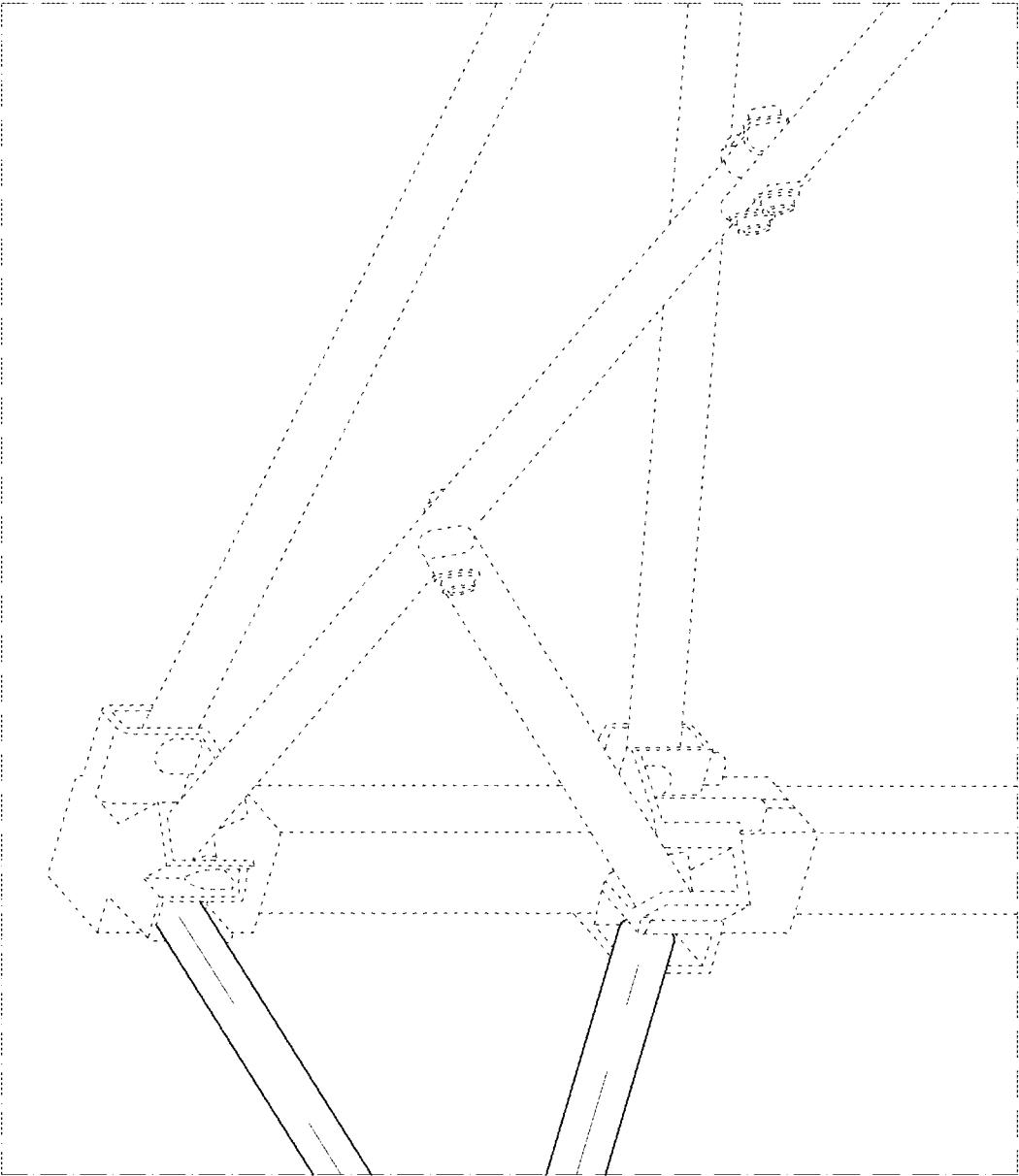


FIG. 12

FIG. 13

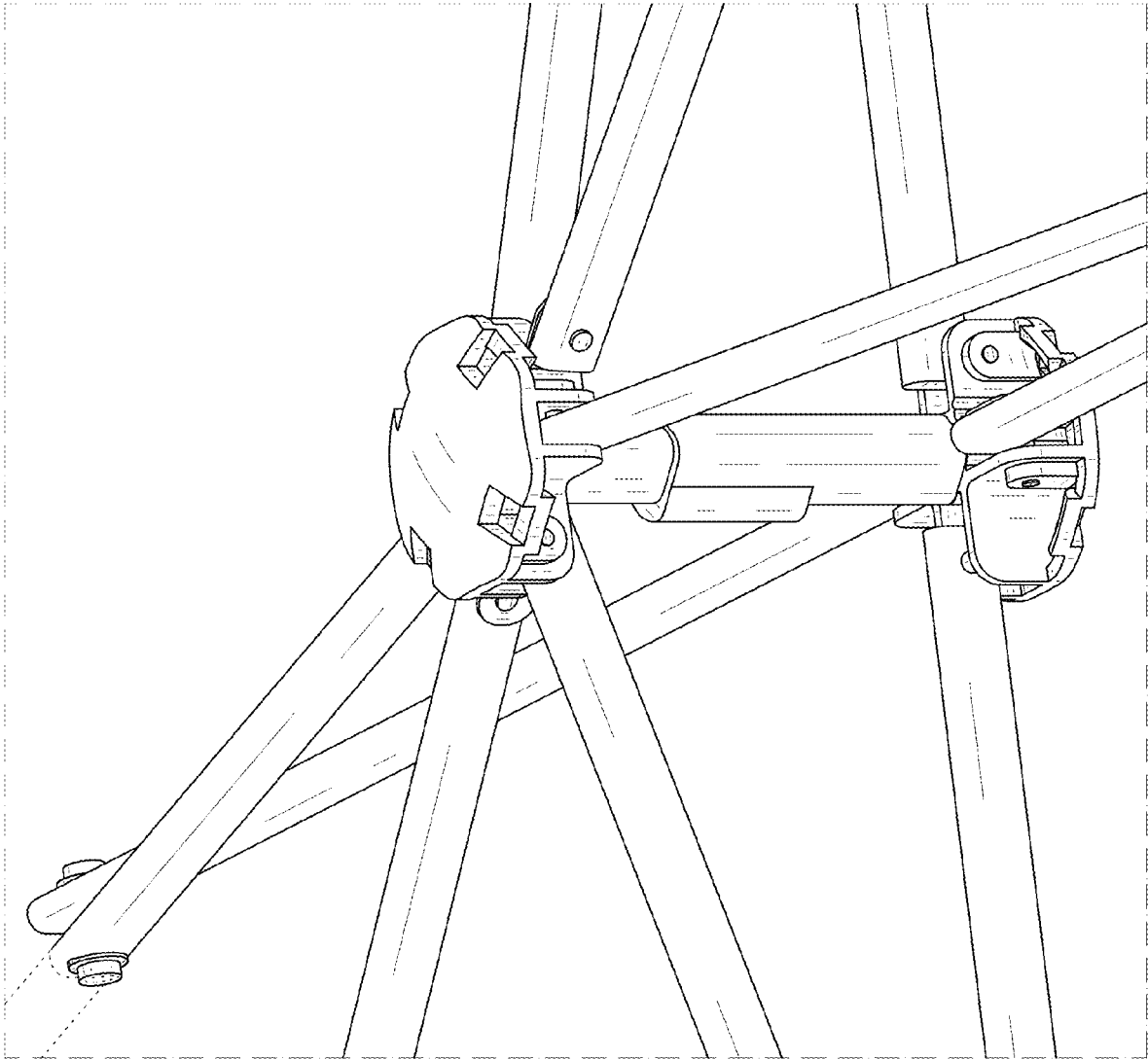
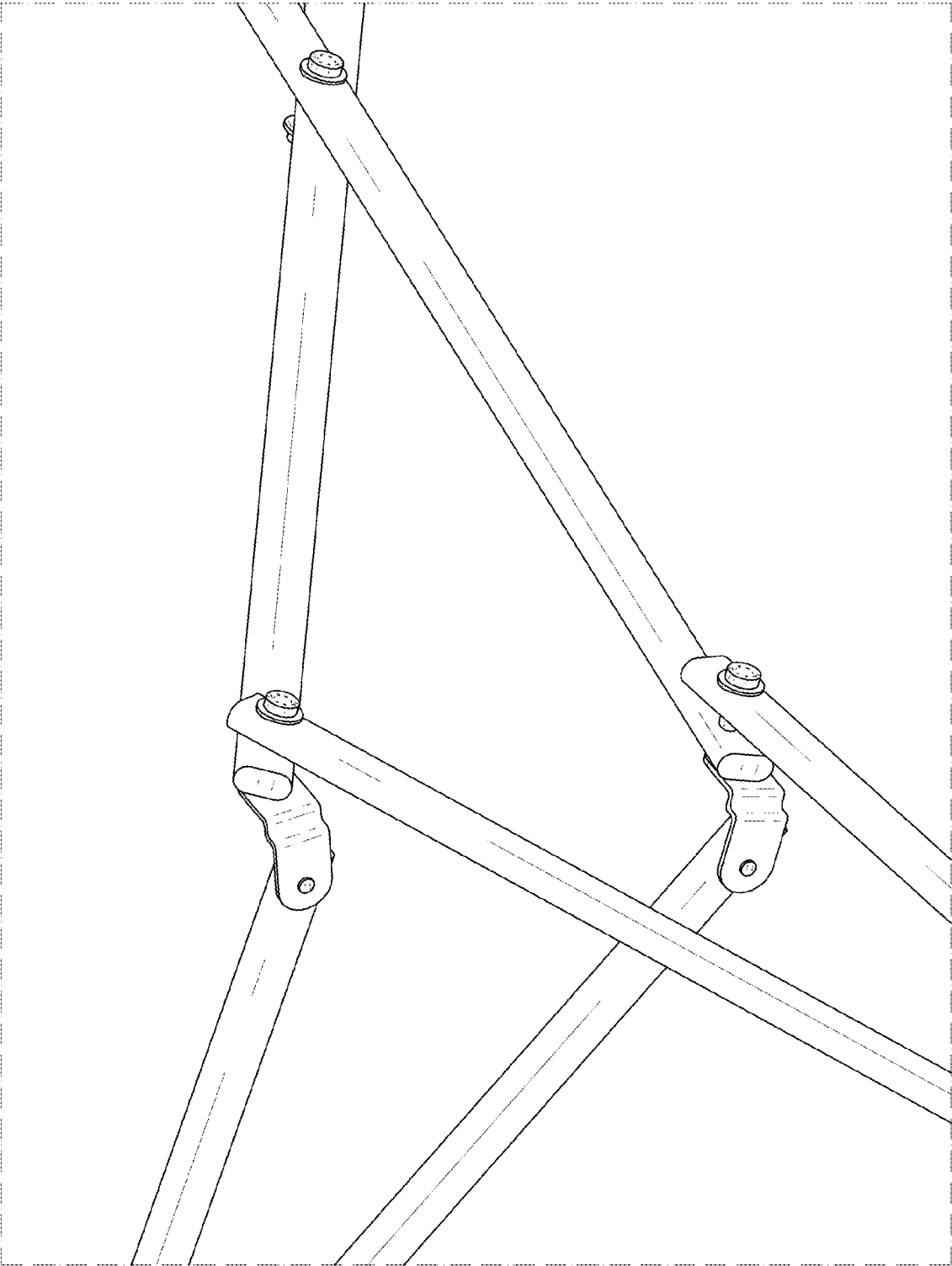
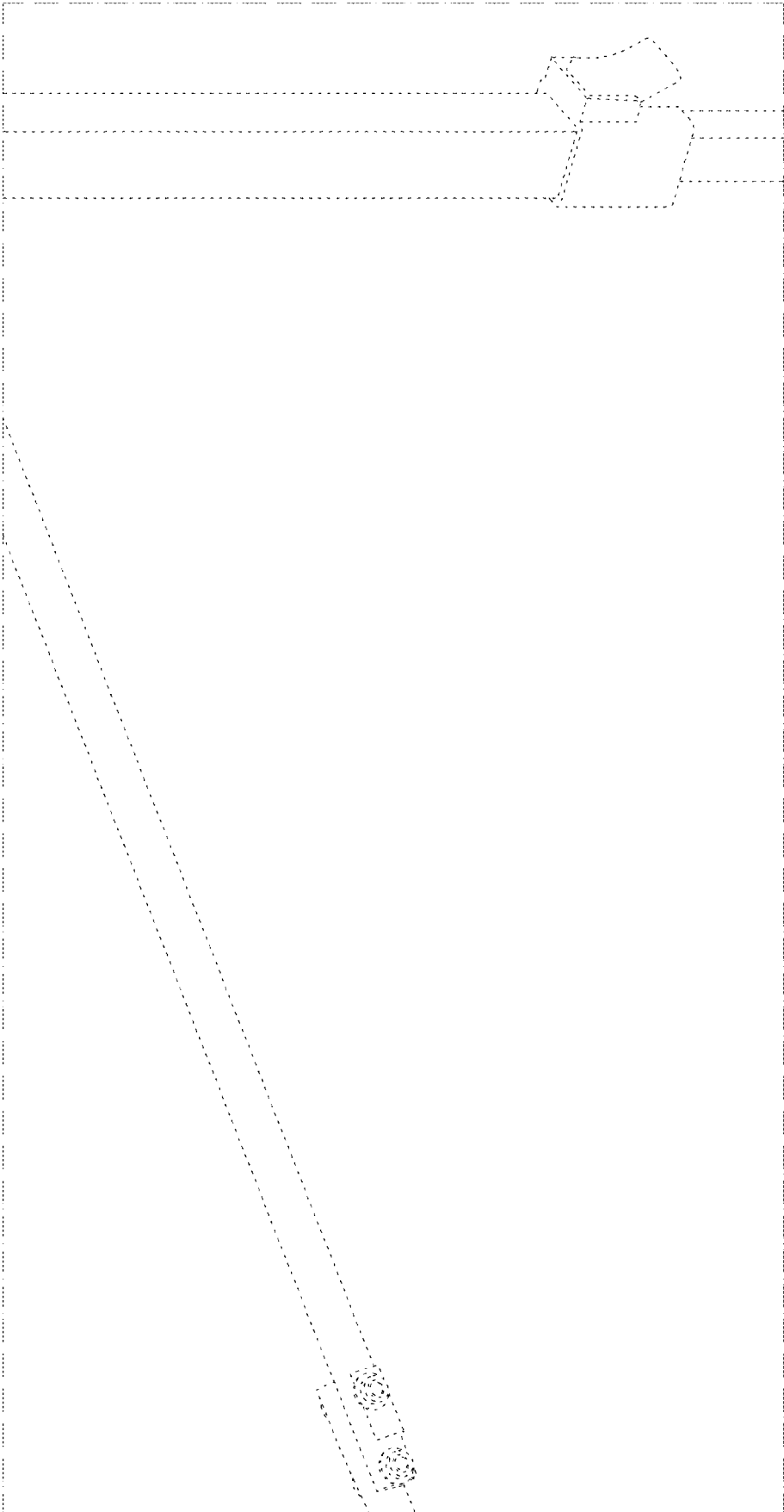


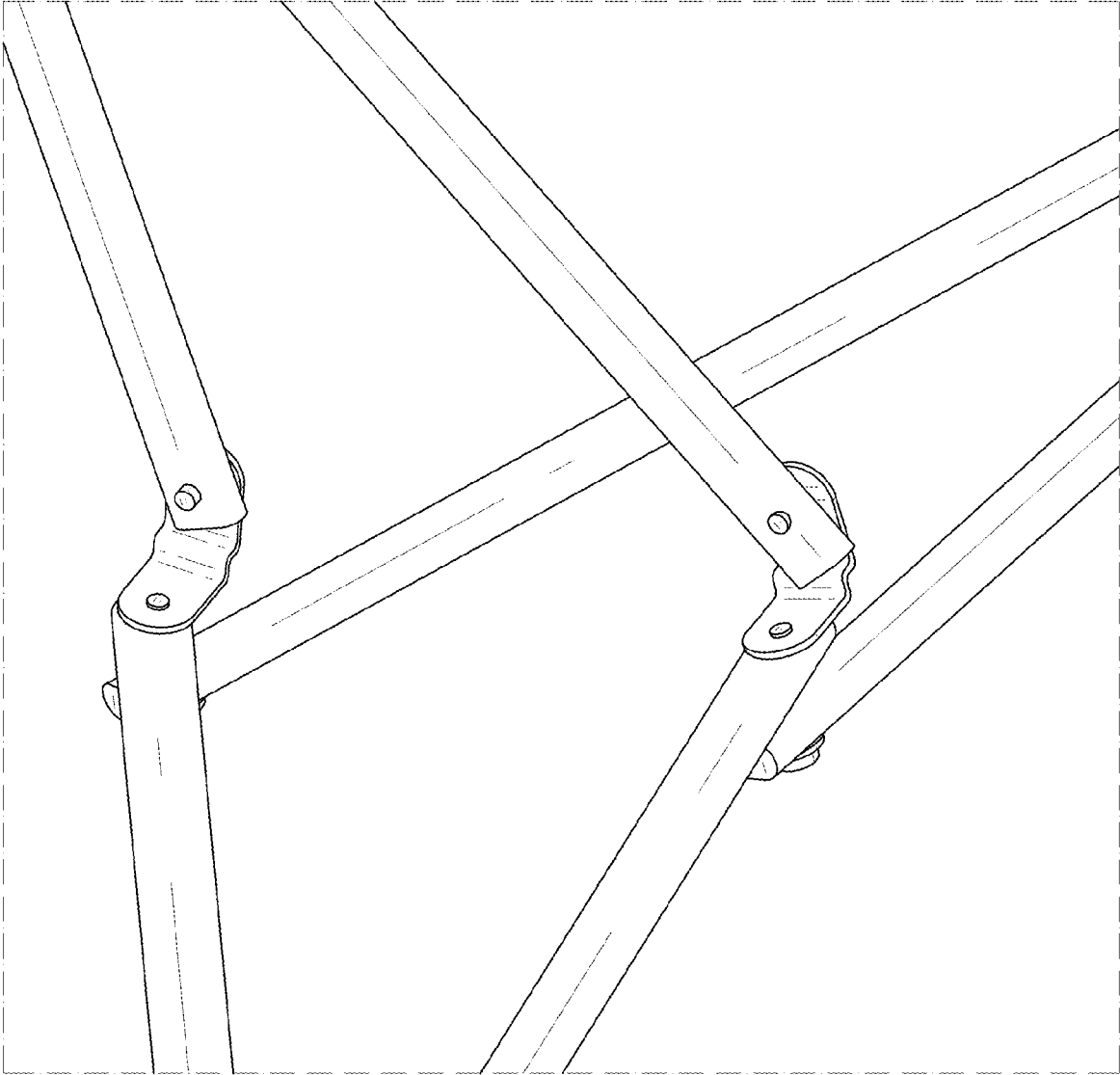
FIG. 14





*FIG. 15*

FIG. 16



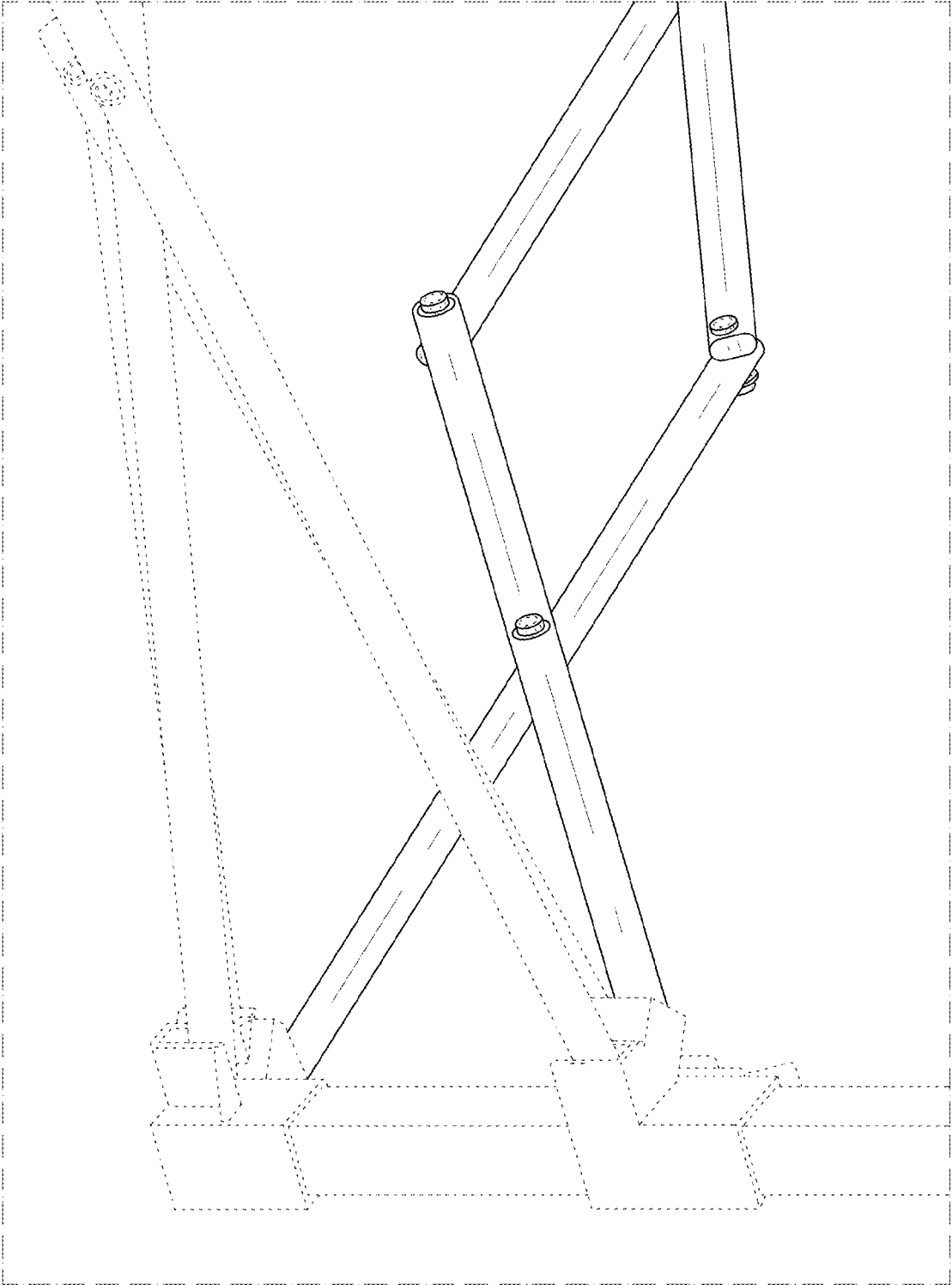


FIG.17

FIG. 18

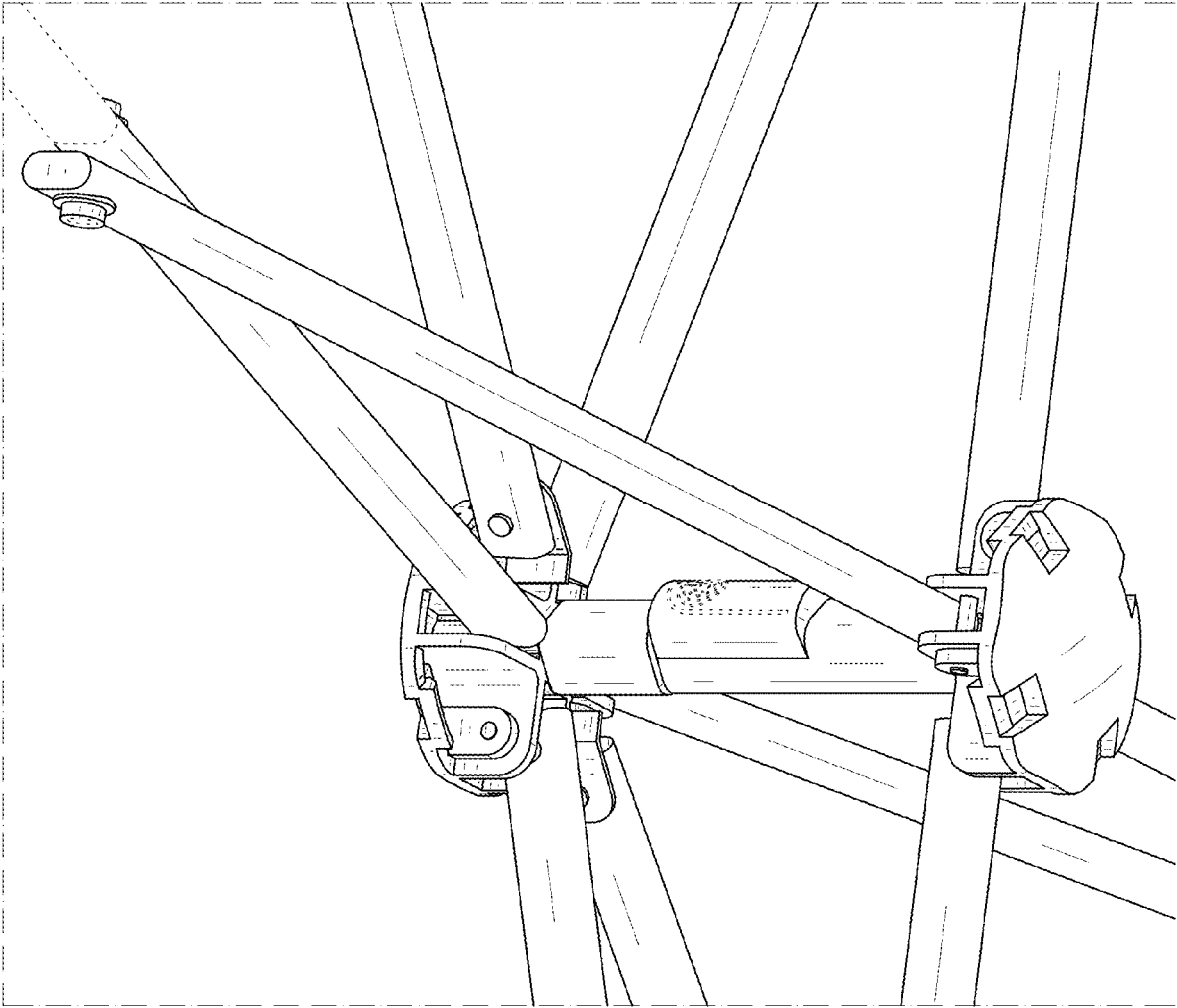
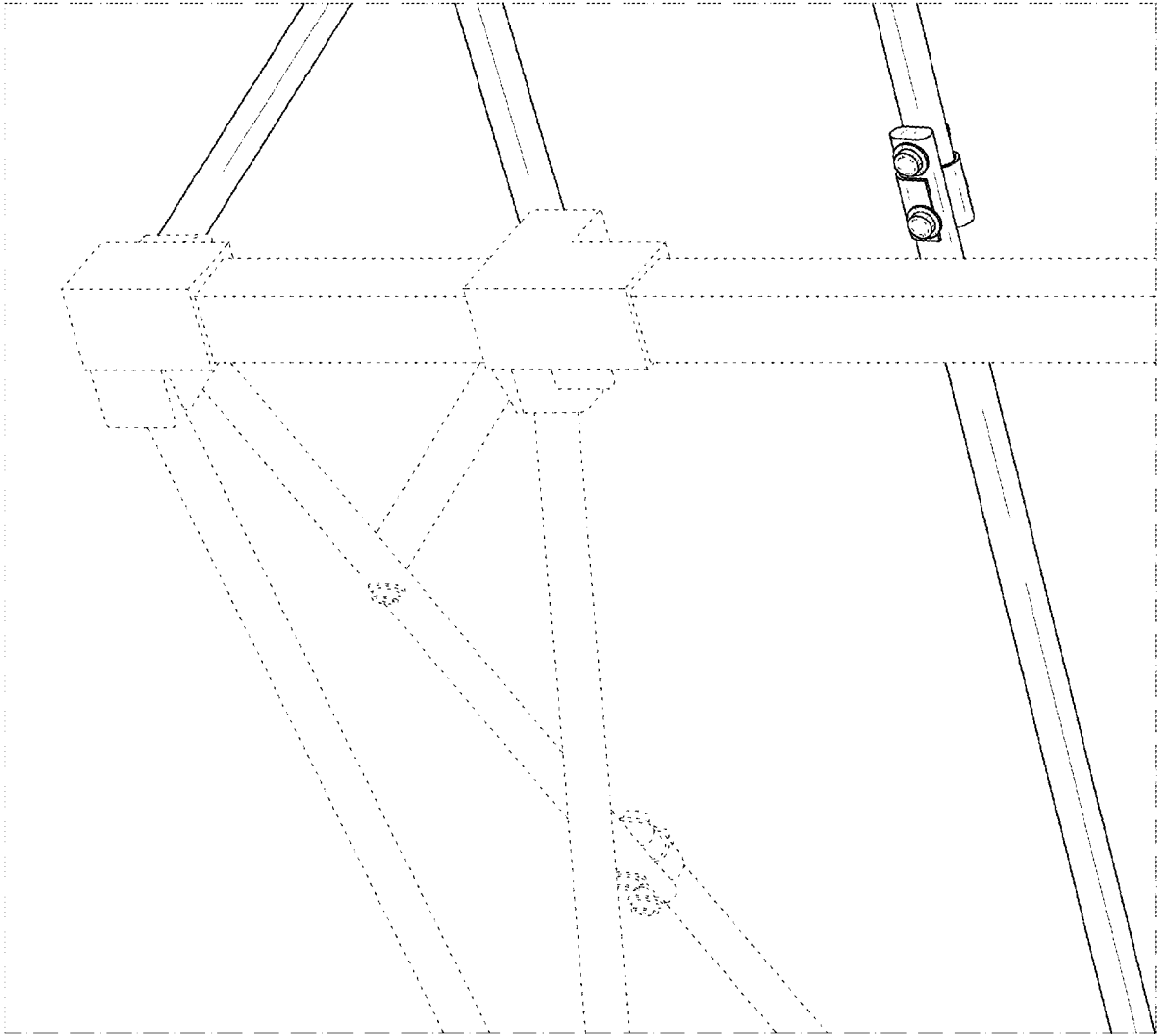


FIG. 19



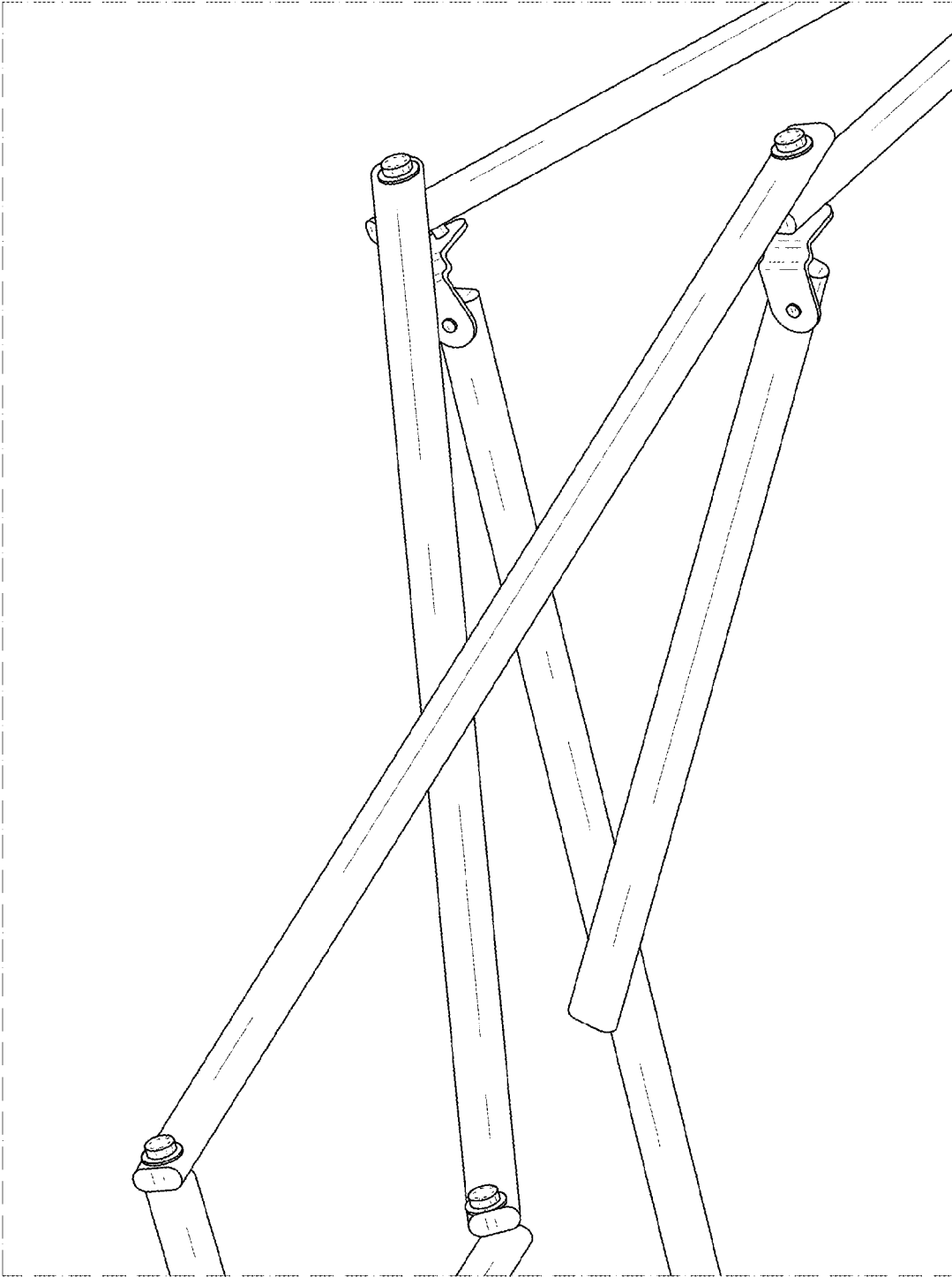


FIG.20

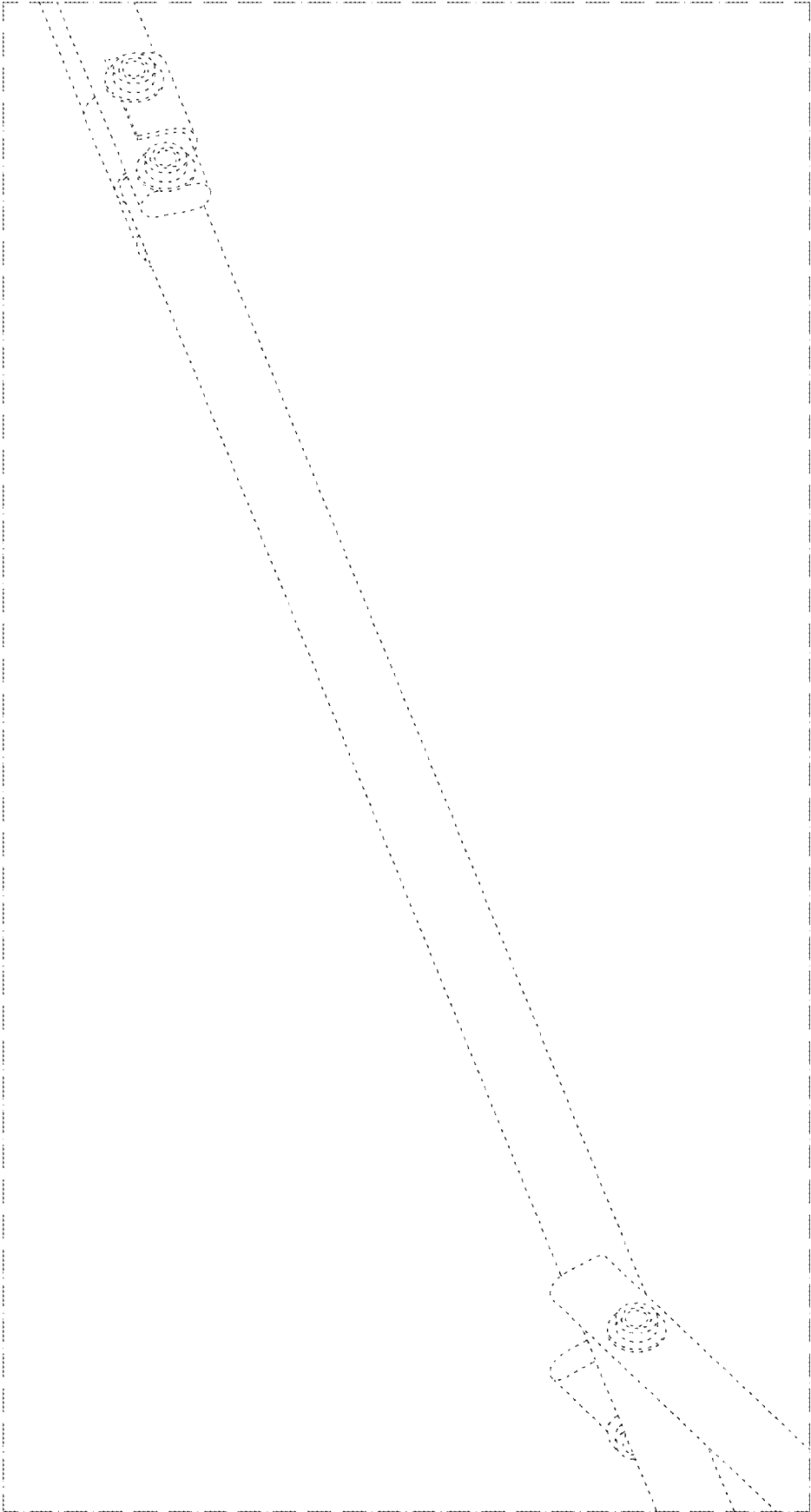


FIG. 21

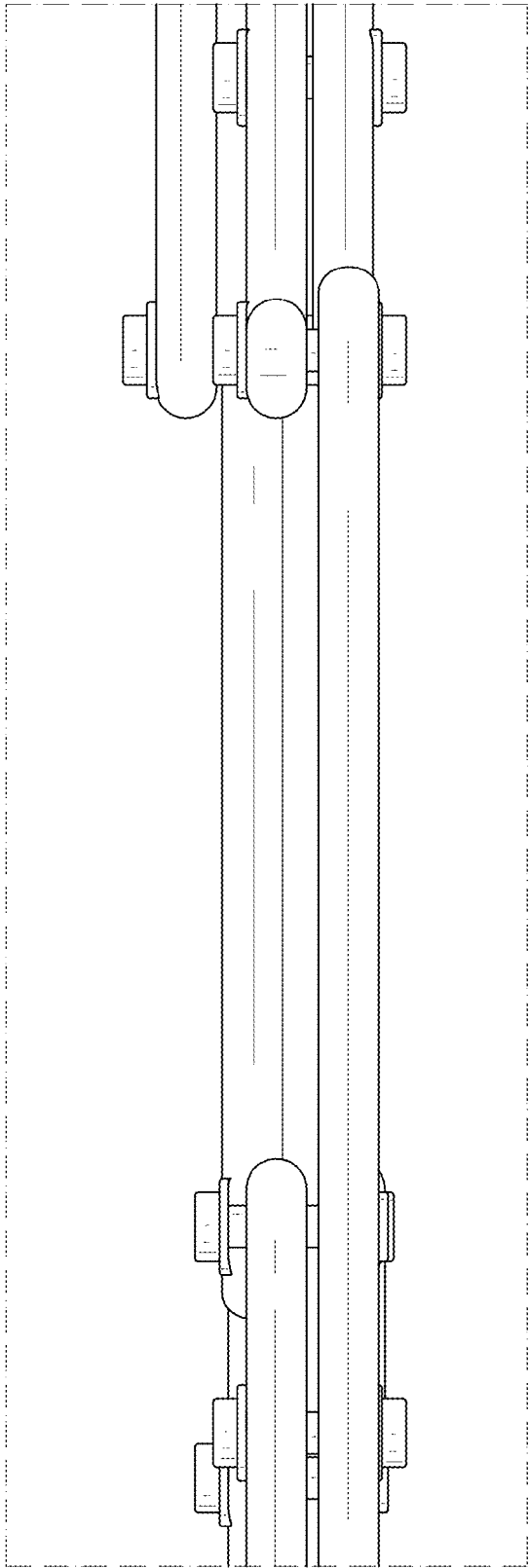
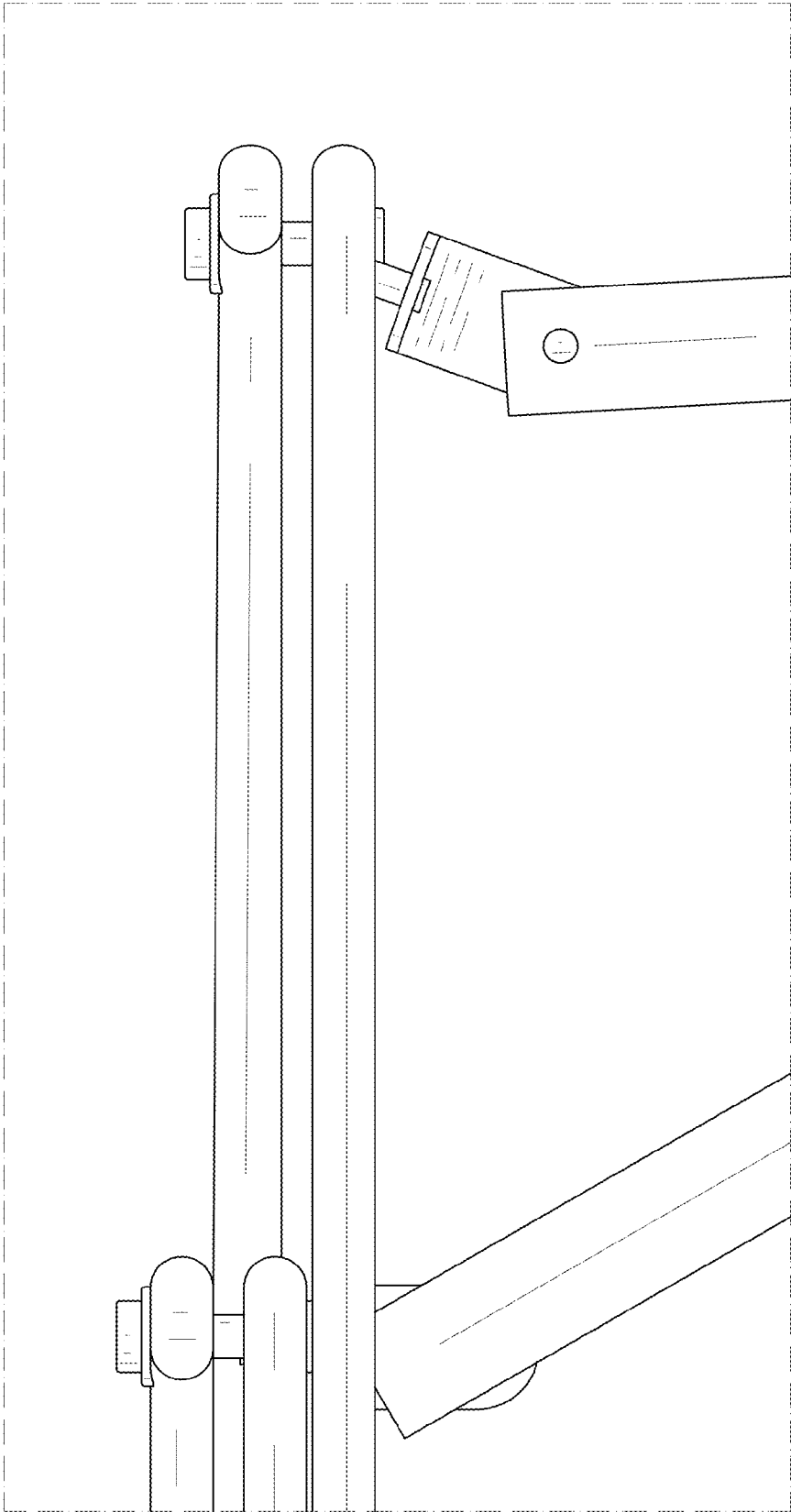


FIG.22



**FIG.23**

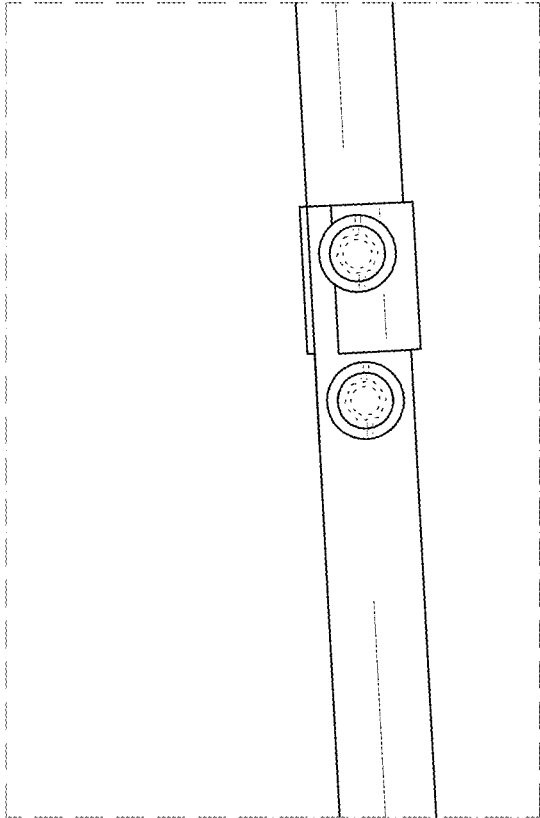


FIG. 24

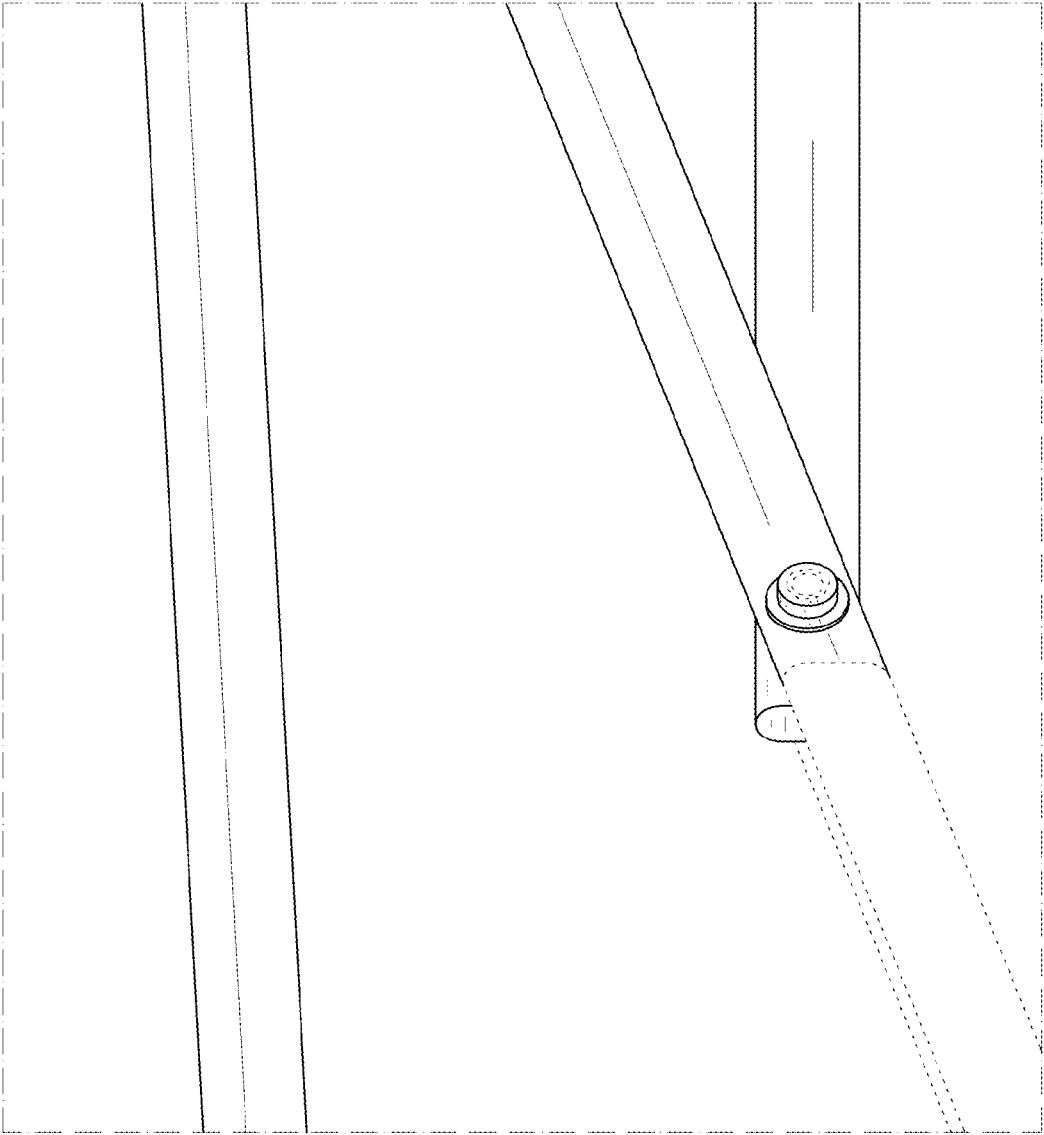
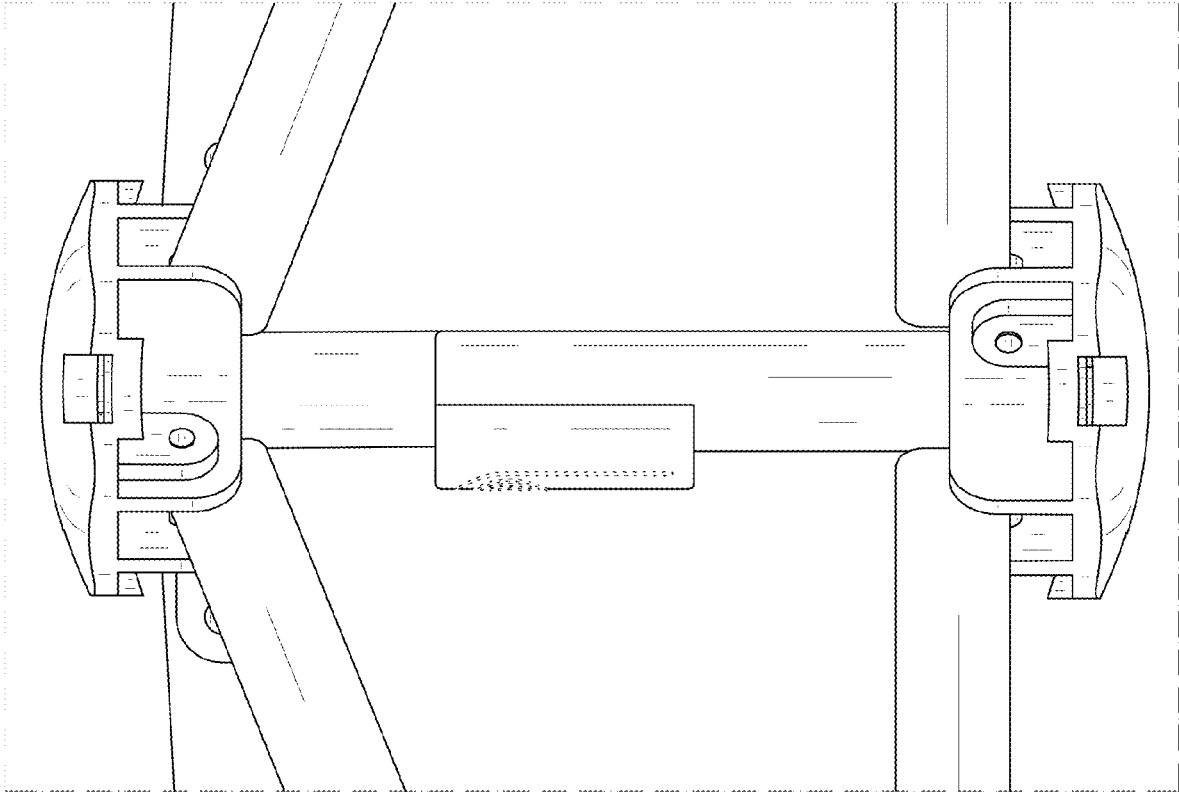


FIG.25

FIG. 26



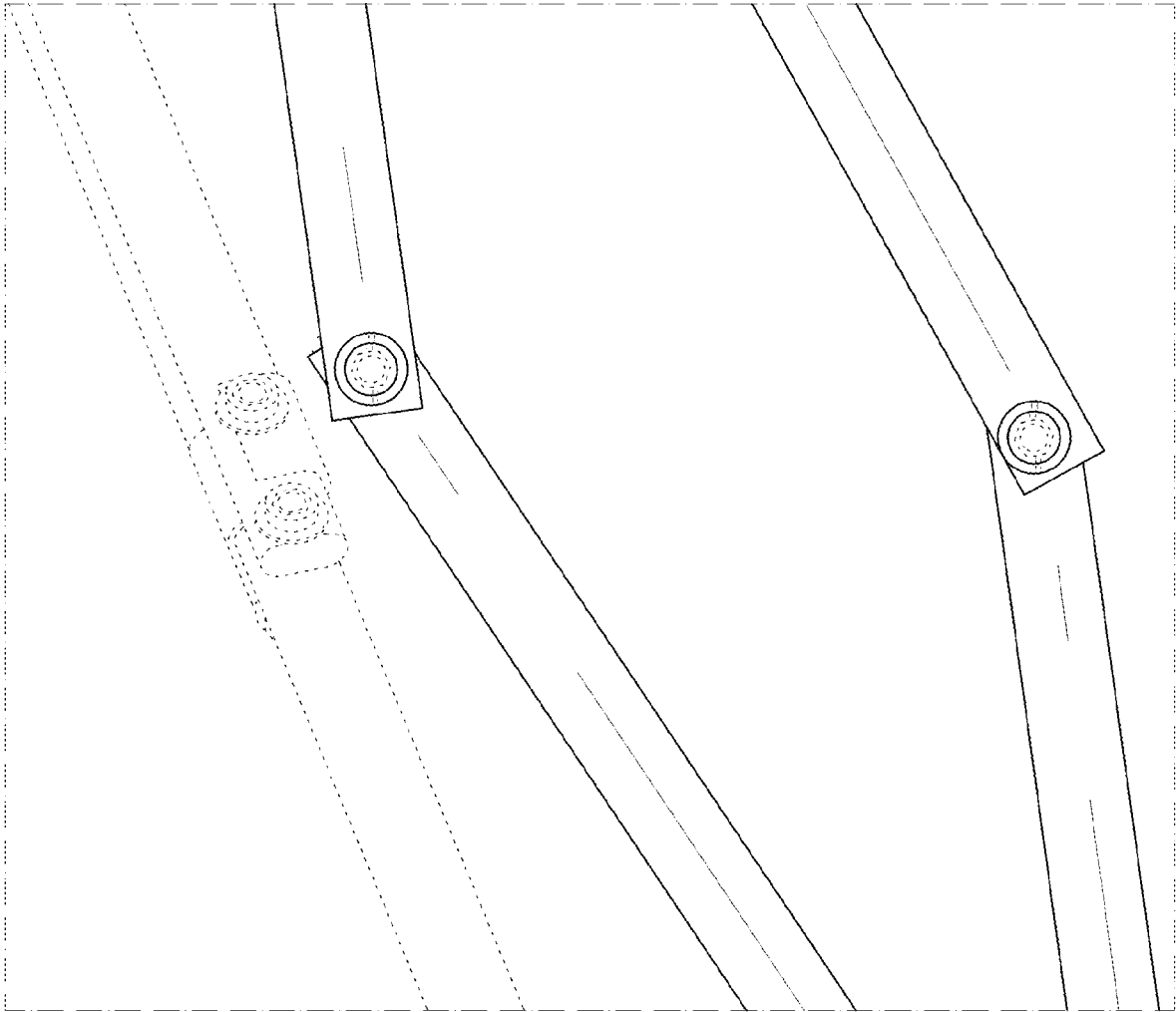
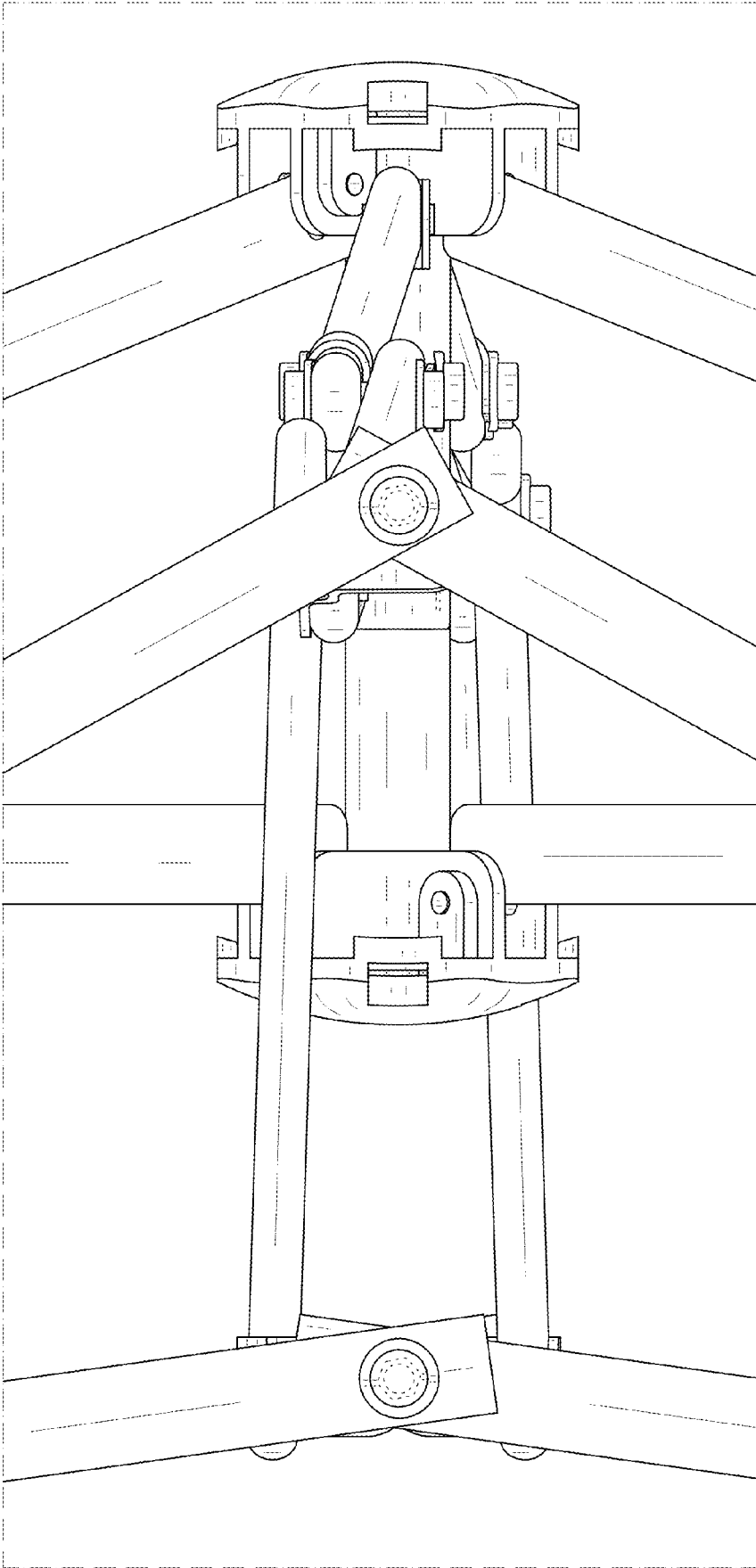


FIG.27



**FIG.28**

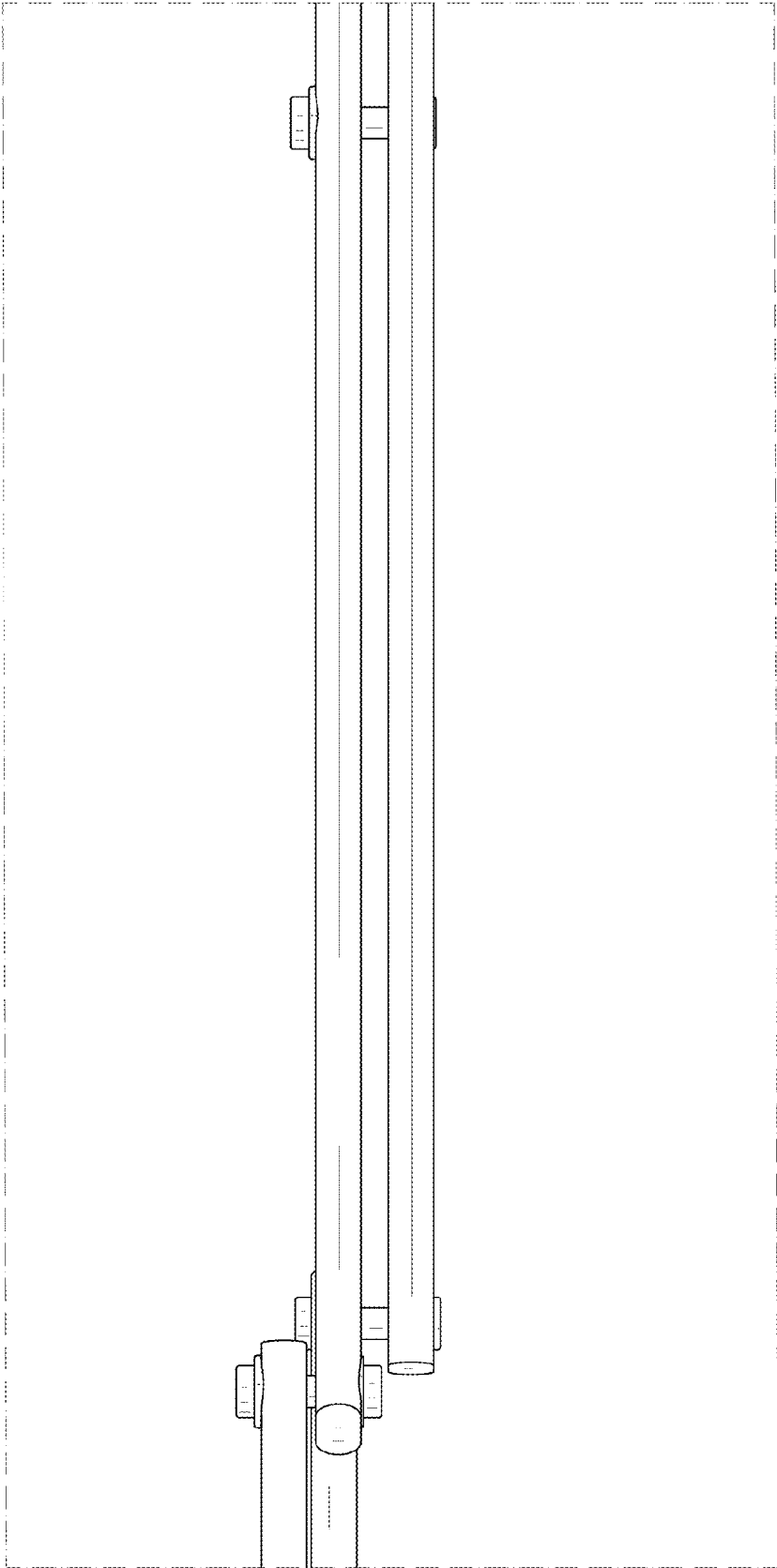
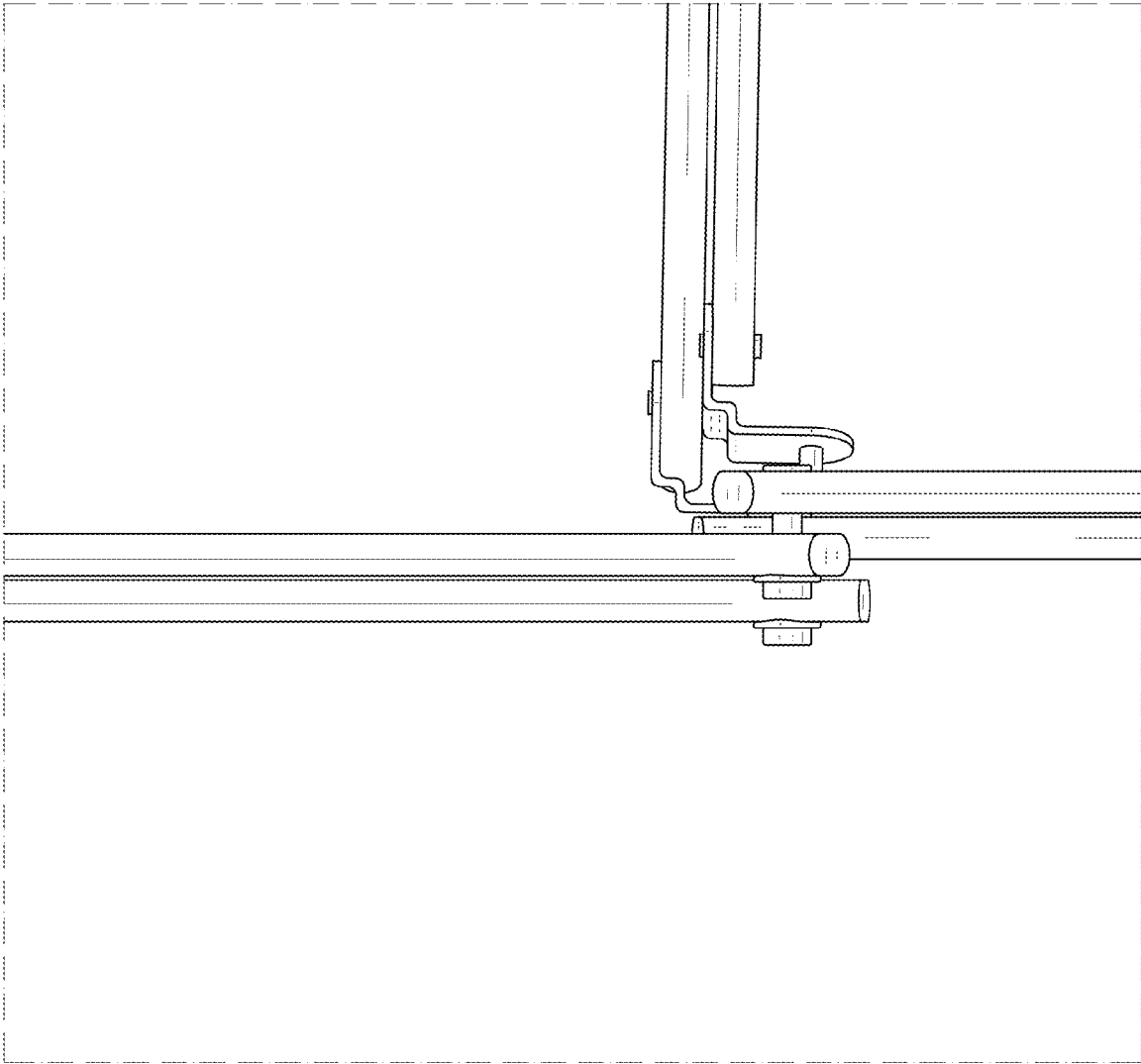


FIG. 29

FIG. 30



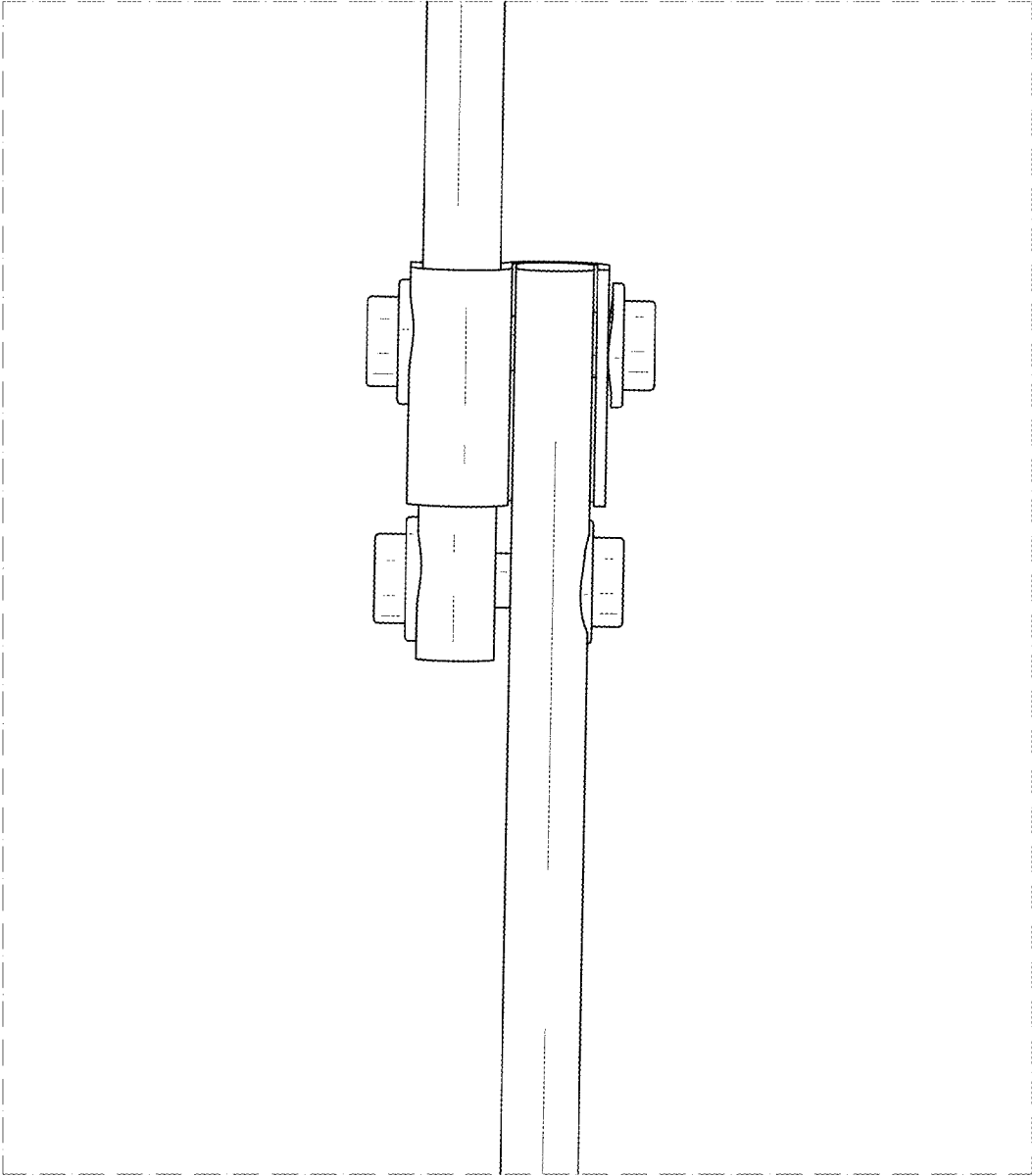


FIG.31

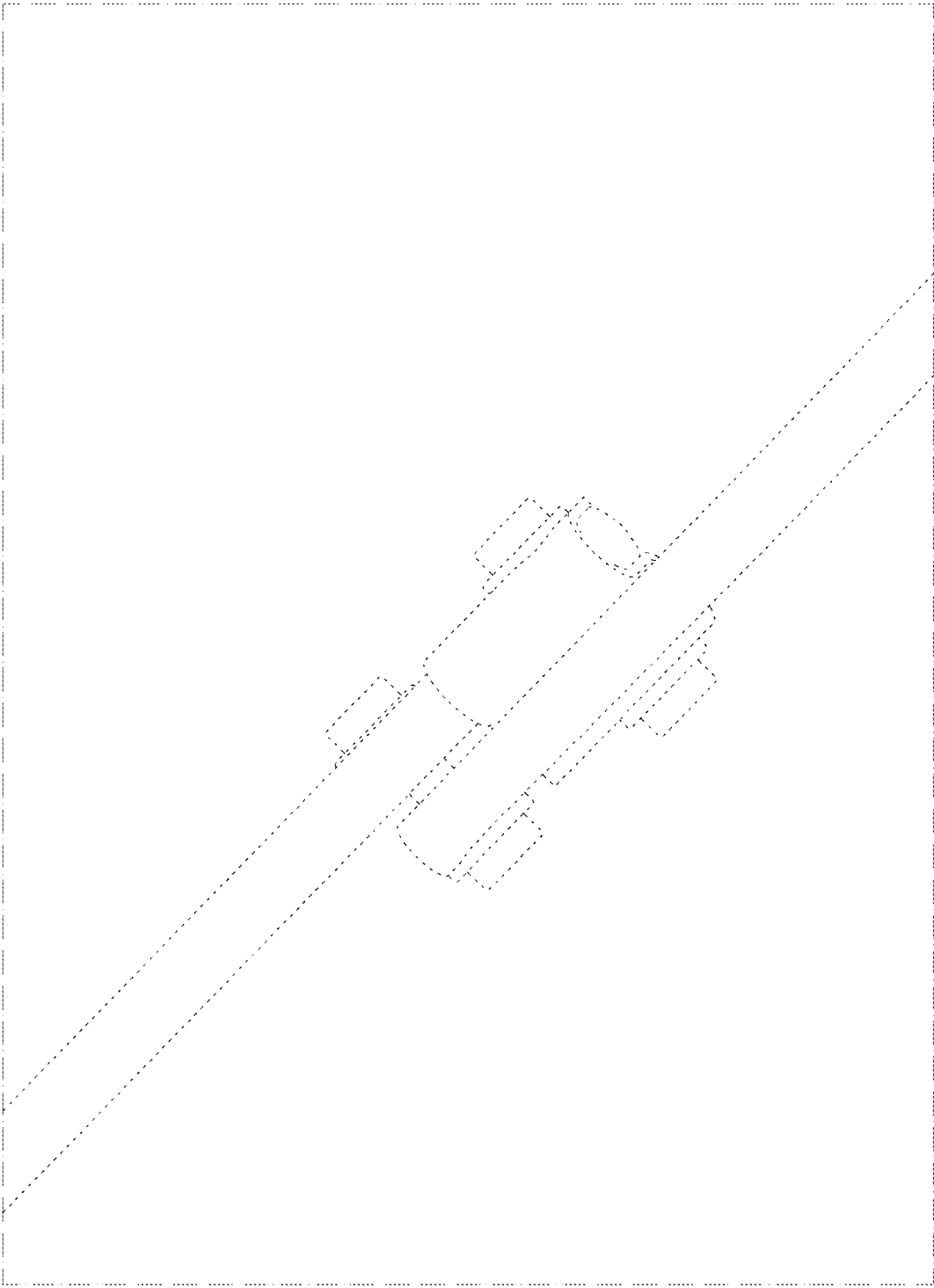


FIG.32

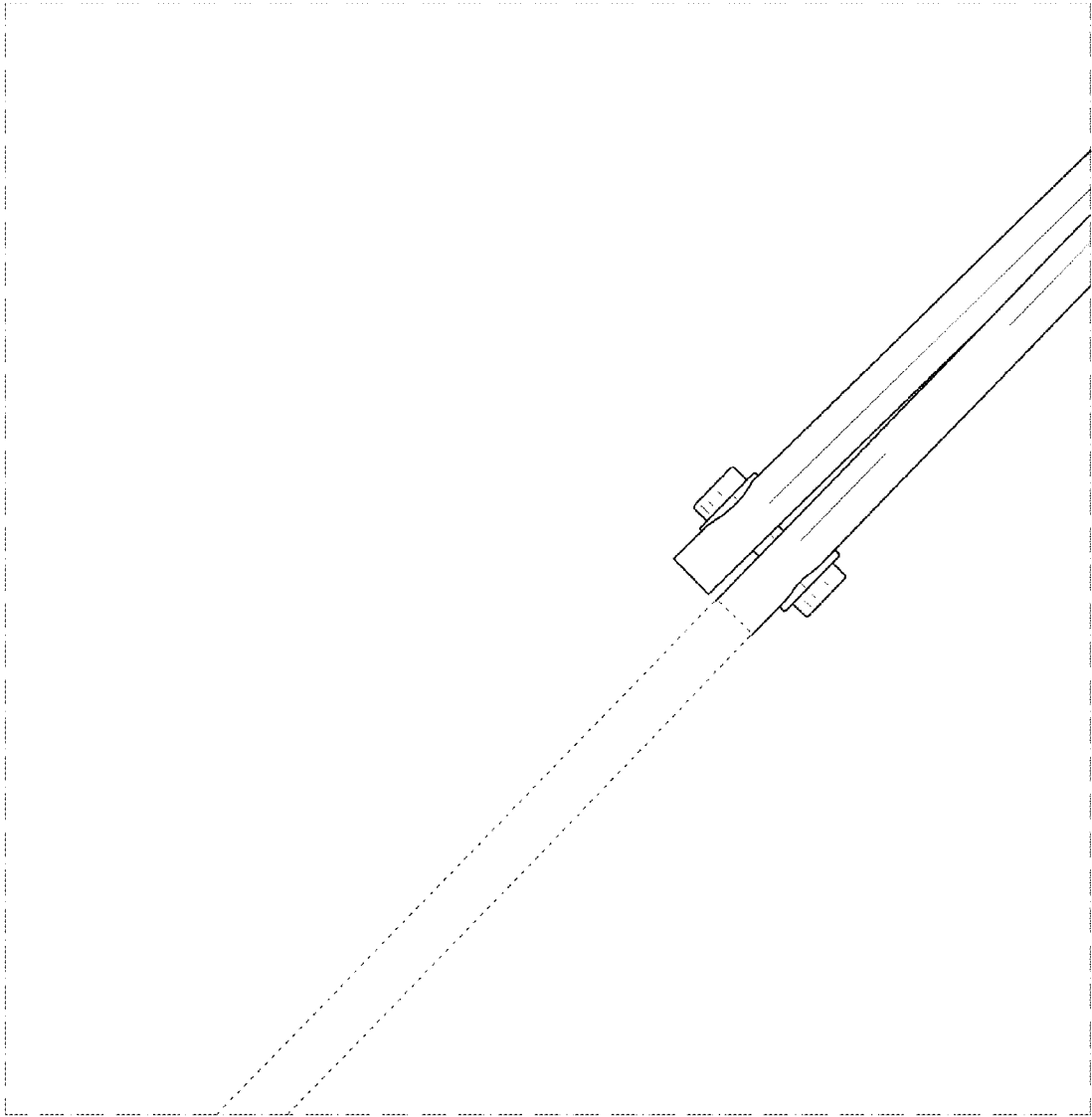


FIG. 33

FIG. 34

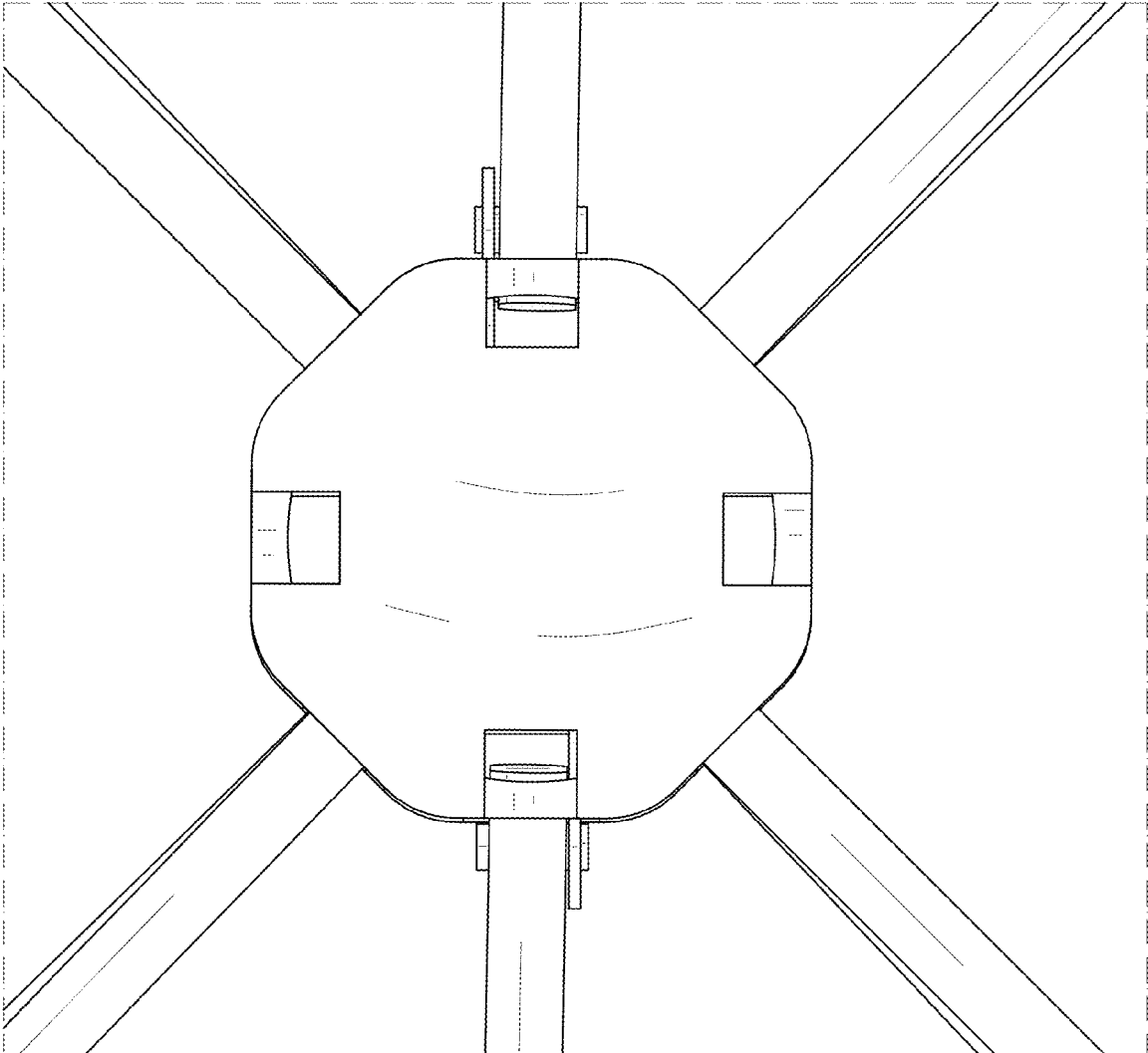
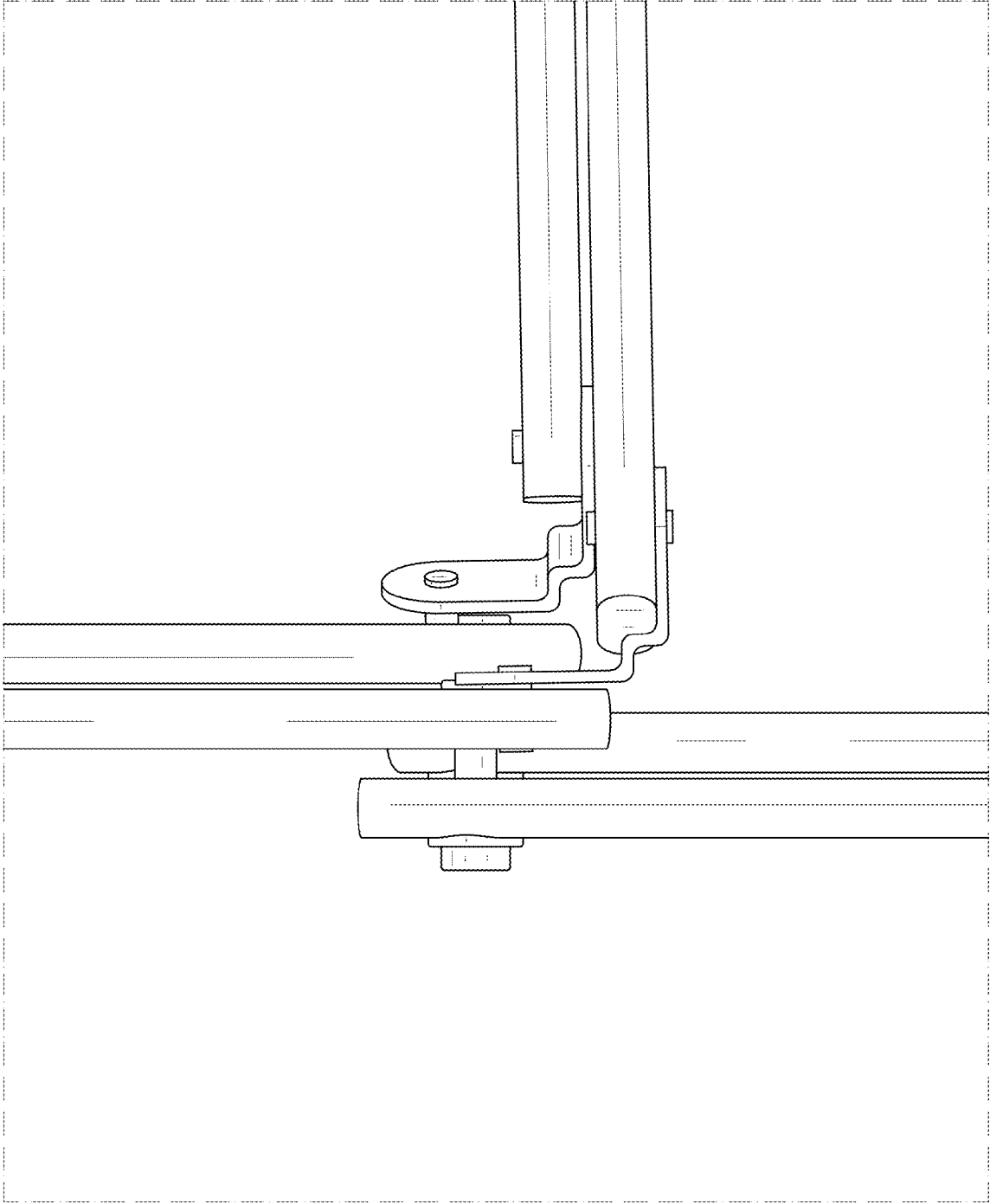


FIG. 35



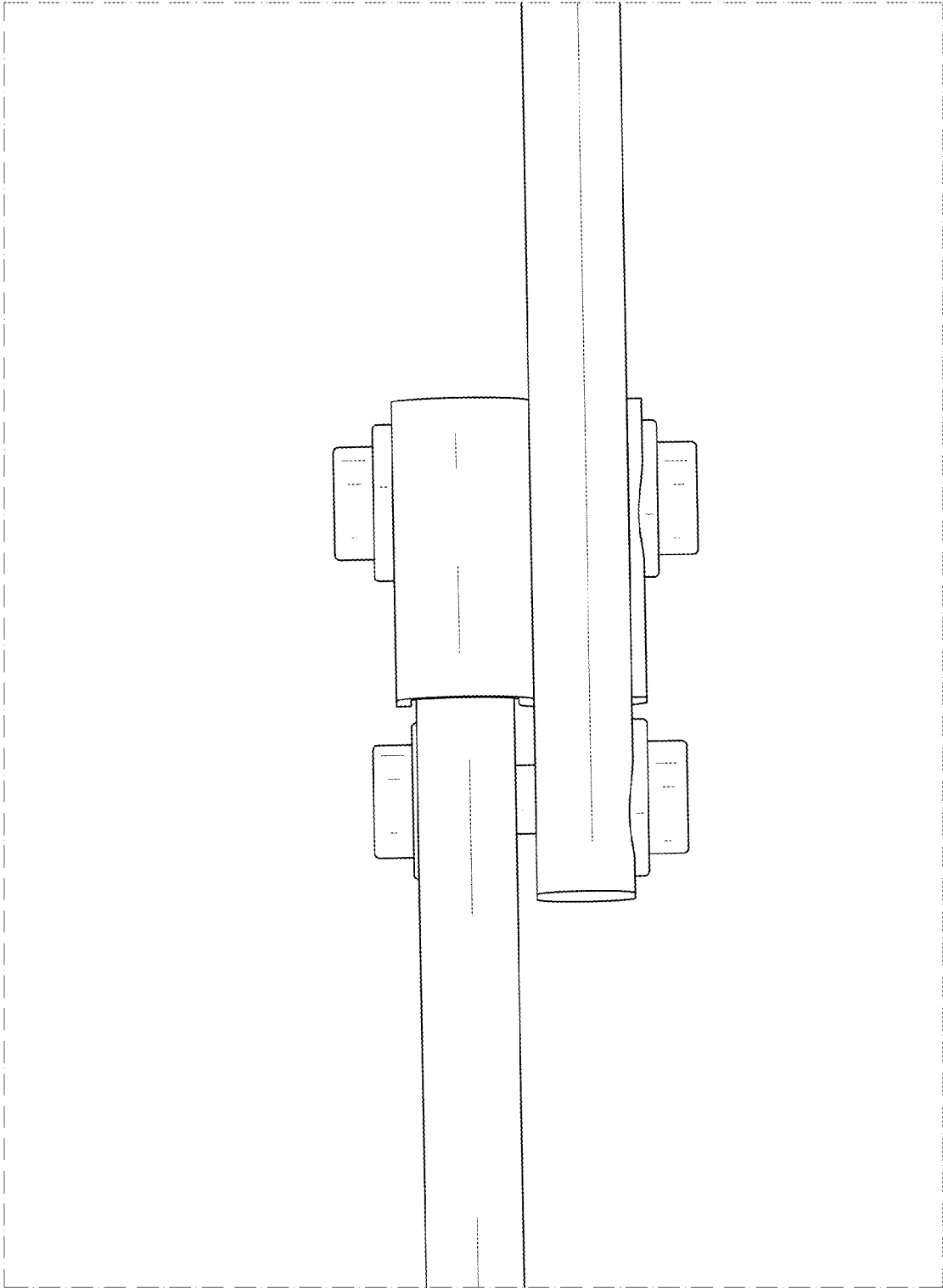
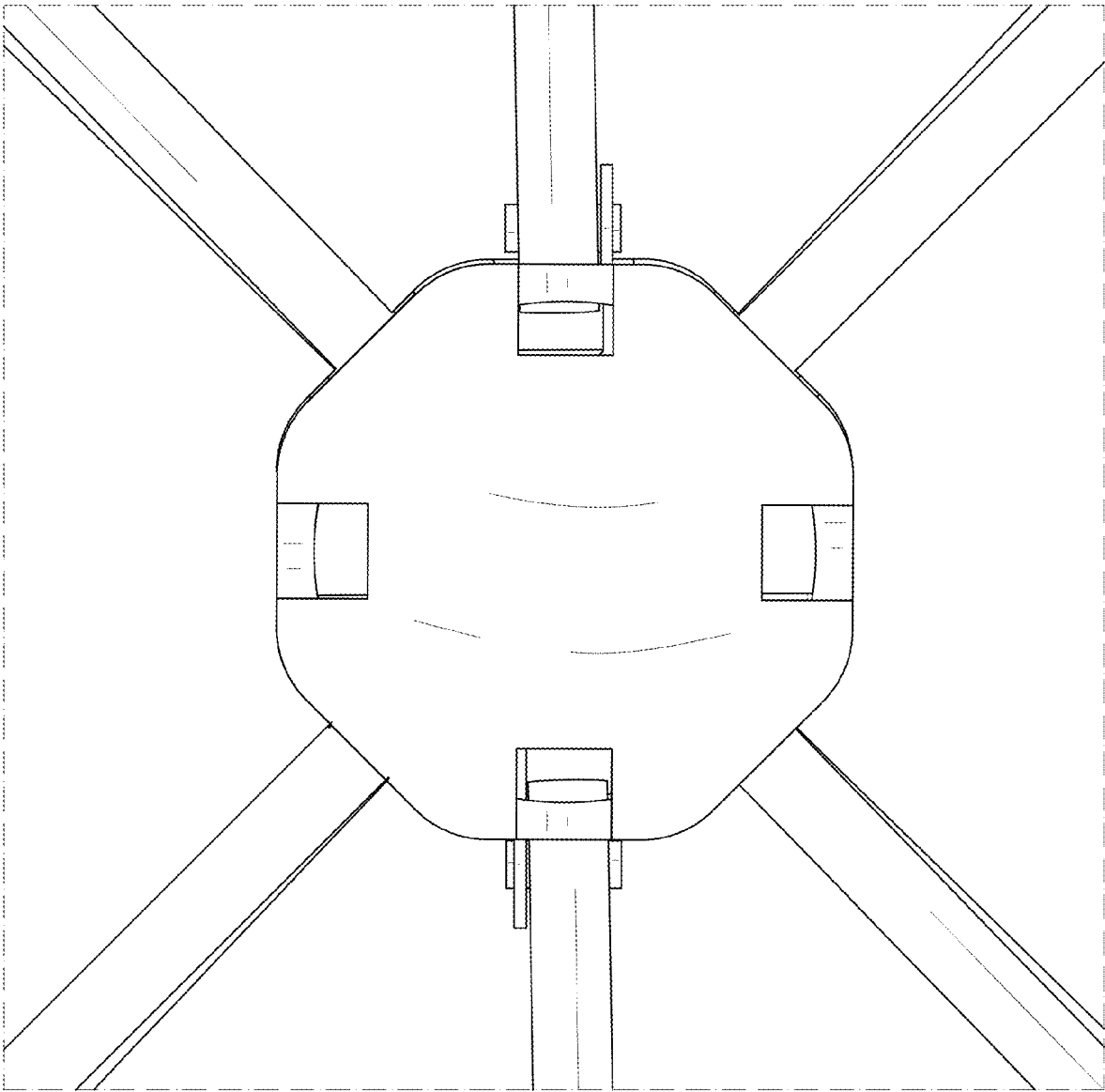


FIG. 36

FIG. 37



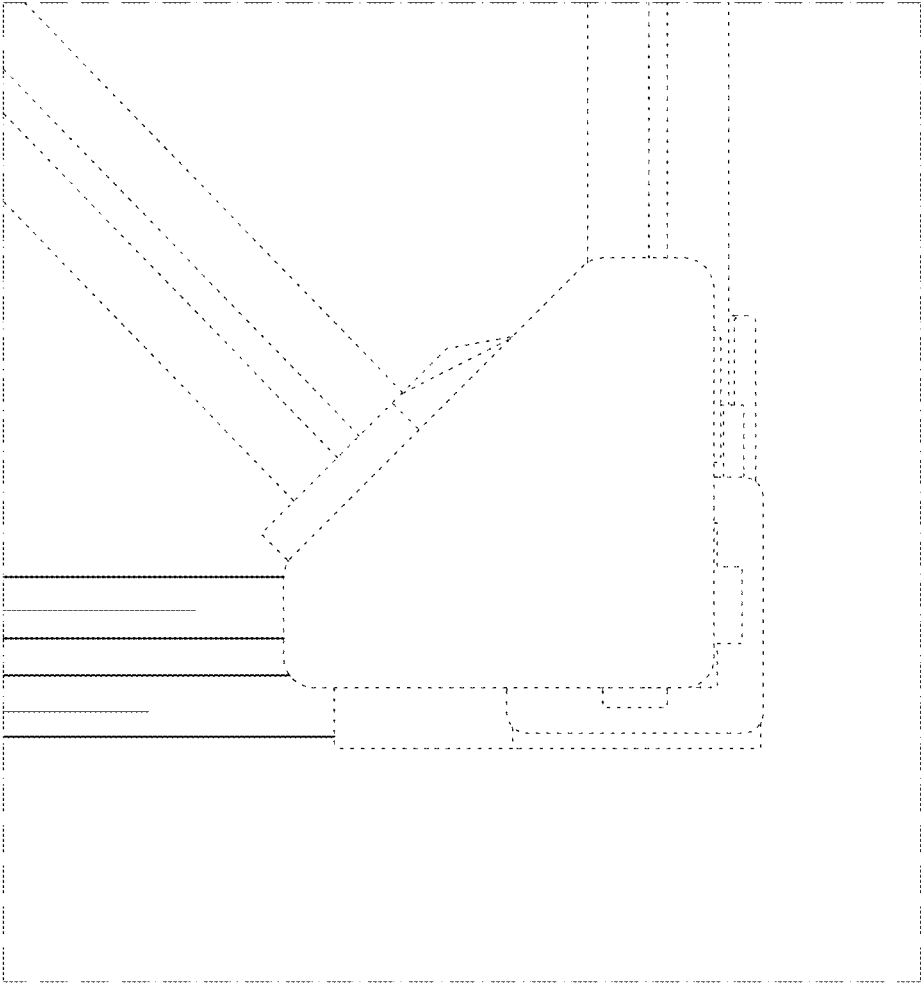


FIG. 38