

(19) World Intellectual Property Organization  
International Bureau



(43) International Publication Date  
20 March 2008 (20.03.2008)

PCT

(10) International Publication Number  
**WO 2008/034103 A3**

(51) International Patent Classification:  
A61B 18/18 (2006.01)

(21) International Application Number:  
PCT/US2007/078562

(22) International Filing Date:  
14 September 2007 (14.09.2007)

(25) Filing Language: English

(26) Publication Language: English

(30) Priority Data:  
60/825,660 14 September 2006 (14.09.2006) US  
60/863,484 30 October 2006 (30.10.2006) US

(71) Applicant (for all designated States except US): LAZURE TECHNOLOGIES, LLC [US/US]; 13 Eagles Nest Drive, LaConner, Washington 98257 (US).

(72) Inventor; and

(75) Inventor/Applicant (for US only): AZURE, Larry [US/US]; 13 Eagles Nest Drive, Laconnor, Washington 98257 (US).

(74) Agents: ROSATO, Michael. T. et al.; TOWNSEND AND TOWNSEND AND CREW LLP, Two Embarcadero Center, 8th Floor, San Francisco, California 94111 (US).

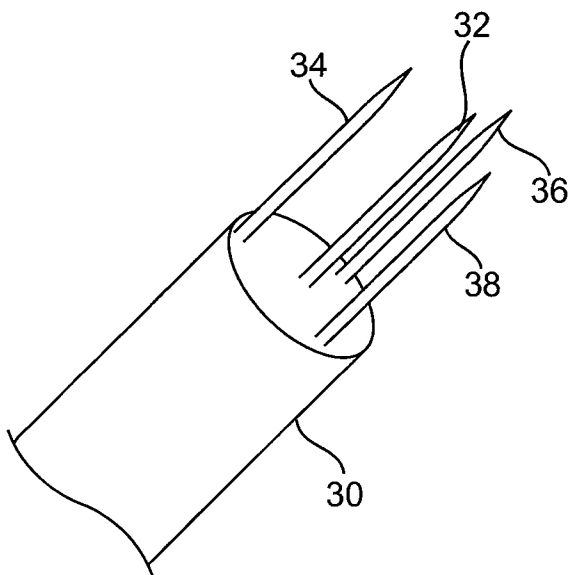
(81) Designated States (unless otherwise indicated, for every kind of national protection available): AE, AG, AL, AM, AT, AU, AZ, BA, BB, BG, BH, BR, BW, BY, BZ, CA, CH, CN, CO, CR, CU, CZ, DE, DK, DM, DO, DZ, EC, EE, EG, ES, FI, GB, GD, GE, GH, GM, GT, HN, HR, HU, ID, IL, IN, IS, JP, KE, KG, KM, KN, KP, KR, KZ, LA, LC, LK, LR, LS, LT, LU, LY, MA, MD, ME, MG, MK, MN, MW, MX, MY, MZ, NA, NG, NI, NO, NZ, OM, PG, PH, PL, PT, RO, RS, RU, SC, SD, SE, SG, SK, SL, SM, SV, SY, TJ, TM, TN, TR, TT, TZ, UA, UG, US, UZ, VC, VN, ZA, ZM, ZW.

(84) Designated States (unless otherwise indicated, for every kind of regional protection available): ARIPO (BW, GH, GM, KE, LS, MW, MZ, NA, SD, SL, SZ, TZ, UG, ZM, ZW), Eurasian (AM, AZ, BY, KG, KZ, MD, RU, TJ, TM), European (AT, BE, BG, CH, CY, CZ, DE, DK, EE, ES, FI, FR, GB, GR, HU, IE, IS, IT, LT, LU, LV, MC, MT, NL, PL, PT, RO, SE, SI, SK, TR), OAPI (BF, BJ, CF, CG, CI, CM, GA, GN, GQ, GW, ML, MR, NE, SN, TD, TG).

Published:  
— with international search report

(88) Date of publication of the international search report:  
20 November 2008

(54) Title: DEVICE AND METHOD FOR DESTRUCTION OF CANCER CELLS



(57) Abstract: The present invention provides devices and systems, as well as methods, of electric field delivery and non-thermal or selective ablation of target tissue regions, including selective ablation of cancerous cells and solid tumors. A method of the present invention includes delivering an electric field to a tissue, including positioning an electrode within a target tissue region comprising cancerous cells, and applying an alternating electrical current to the target tissue so as to non-thermally ablate cancerous cells of the target tissue region around the electrodes.



WO 2008/034103 A3

# INTERNATIONAL SEARCH REPORT

International application No.

PCT/US07/78562

**A. CLASSIFICATION OF SUBJECT MATTER**

IPC: **A61B 18/18** (2006.01)

USPC: 606/32

According to International Patent Classification (IPC) or to both national classification and IPC

**B. FIELDS SEARCHED**

Minimum documentation searched (classification system followed by classification symbols)  
U.S. : 606/32-35,41-50; 607/101,102,115,116; 128/898

Documentation searched other than minimum documentation to the extent that such documents are included in the fields searched

Electronic data base consulted during the international search (name of data base and, where practicable, search terms used)

**C. DOCUMENTS CONSIDERED TO BE RELEVANT**

Category *	Citation of document, with indication, where appropriate, of the relevant passages	Relevant to claim No.
X	US 2005/0171574 A1 (RUBINSKY et al) 04 August 2005, whole document	1-27
---		-----
Y		28-56
Y	US 6,246,912 B1 (SLUIJTER et al) 12 June 2001, whole document	28-56
A	US 6,853,864 B2 (LITOVITZ) 08 February 2005, whole document	1-56

Further documents are listed in the continuation of Box C.

See patent family annex.

* Special categories of cited documents:	
"A" document defining the general state of the art which is not considered to be of particular relevance	"T" later document published after the international filing date or priority date and not in conflict with the application but cited to understand the principle or theory underlying the invention
"E" earlier application or patent published on or after the international filing date	"X" document of particular relevance; the claimed invention cannot be considered novel or cannot be considered to involve an inventive step when the document is taken alone
"L" document which may throw doubts on priority claim(s) or which is cited to establish the publication date of another citation or other special reason (as specified)	"Y" document of particular relevance; the claimed invention cannot be considered to involve an inventive step when the document is combined with one or more other such documents, such combination being obvious to a person skilled in the art
"O" document referring to an oral disclosure, use, exhibition or other means	"&" document member of the same patent family
"P" document published prior to the international filing date but later than the priority date claimed	

Date of the actual completion of the international search

22 July 2008 (22.07.2008)

Date of mailing of the international search report

**13 AUG 2008**

Name and mailing address of the ISA/US

Mail Stop PCT, Attn: ISA/US  
Commissioner for Patents  
P.O. Box 1450  
Alexandria, Virginia 22313-1450

Facsimile No. (571) 273-3201

Authorized officer

Linda Dvorak

Telephone No. (703) 308-0858

