



US00D831493S

(12) **United States Design Patent**  
**Daley et al.**

(10) **Patent No.:** **US D831,493 S**  
(45) **Date of Patent:** **\*\* Oct. 23, 2018**

- (54) **BOTTLE WITH CAP**
- (71) Applicant: **CVS Pharmacy, Inc.**, Woonsocket, RI (US)
- (72) Inventors: **Bennett P. Daley**, Waltham, MA (US); **Ryan Neil Peter Hall**, Clinton, MA (US); **Michael David Miller**, Tewksbury, MA (US); **Daniel Nelsen**, Central Falls, RI (US); **Peter Rezac**, Sterling, MA (US); **Timothy Andrew Vanderpoel**, Hudson, MA (US)
- (73) Assignee: **CVS Pharmacy, Inc.**, Woonsocket, RI (US)
- (\*\*) Term: **15 Years**
- (21) Appl. No.: **29/583,544**
- (22) Filed: **Nov. 7, 2016**
- (51) **LOC (11) Cl.** ..... **09-01**
- (52) **U.S. Cl.**  
USPC ..... **D9/560; D9/569; D9/575; D9/520**
- (58) **Field of Classification Search**  
USPC ..... D9/434, 435, 436, 438, 440, 445, 453, D9/516, 530, 541, 543, 544, 546, 559, D9/560, 563, 572, 575, 715, 719, 770; D7/300, 601, 602, 605, 619.1  
CPC ..... B65D 1/02; B65D 1/0207; B65D 1/0223; B65D 1/14; B65D 2501/0081  
See application file for complete search history.

|              |        |                |        |
|--------------|--------|----------------|--------|
| 4,387,817 A  | 6/1983 | Wiles et al.   |        |
| D360,134 S * | 7/1995 | Snyder .....   | D9/438 |
| 5,662,233 A  | 9/1997 | Reid           |        |
| 5,803,287 A  | 9/1998 | Kusz           |        |
| 6,123,212 A  | 9/2000 | Russell et al. |        |
| D442,868 S   | 5/2001 | Gavin          |        |
| D456,272 S * | 4/2002 | Sadeghi .....  | D9/560 |

(Continued)

**OTHER PUBLICATIONS**

Grumpy Foot, Square Bottle by Ex-Apple Engineers, 2017 earliest online date, retrieved from <https://www.grumpfoot.com/square-bottle-by-former-apple-engineers/>, Sep. 7, 2017, 3 pgs.

(Continued)

*Primary Examiner* — Thomas Johannes  
*Assistant Examiner* — Keith Frank  
(74) *Attorney, Agent, or Firm* — Patent Law Works LLP

(57) **CLAIM**

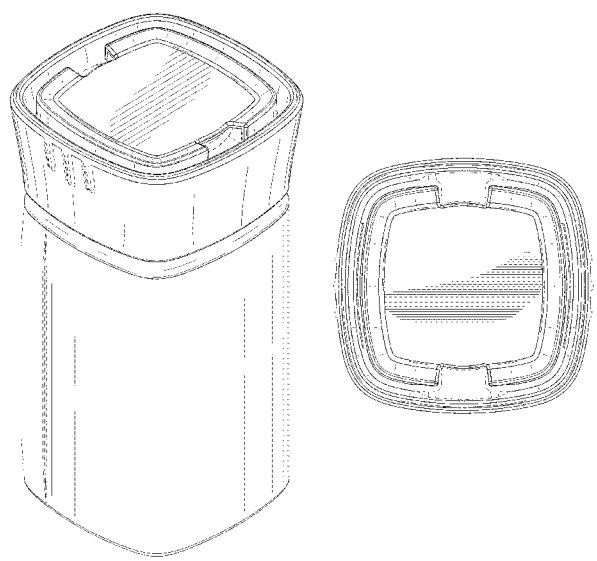
The ornamental design for a bottle with cap, as shown and described.

**DESCRIPTION**

FIG. 1 is a top, front, and left, perspective view of a bottle with cap showing our new design; FIG. 2 is a bottom, rear, and right perspective view thereof; FIG. 3 is a top plan view thereof; FIG. 4 is a bottom plan view thereof; FIG. 5 is a left side elevation view thereof; FIG. 6 is a right side elevation view thereof; FIG. 7 is a front elevation view thereof; and, FIG. 8 is a rear elevation view thereof. Within the drawings, the even spaced dash-dash lines, and the areas within the dash-dash lines, show unclaimed portions of the bottle with cap and form no part of the claimed design. The surface shading lines are provided to indicate any contour or curvature of the surfaces.

**1 Claim, 7 Drawing Sheets**

- (56) **References Cited**  
**U.S. PATENT DOCUMENTS**  
2,776,066 A 1/1957 Thornton  
3,252,492 A 5/1966 Marchant  
3,405,831 A 10/1968 Hudson  
3,794,200 A 2/1974 Marks  
3,993,209 A 11/1976 Julian  
4,098,419 A 7/1978 Virog, Jr. et al.



(56)

References Cited

U.S. PATENT DOCUMENTS

D481,640 S \* 11/2003 Biesecker ..... D9/560  
 6,802,418 B2\* 10/2004 Atkinson ..... B65D 25/22  
 206/278  
 D498,143 S \* 11/2004 Rashid ..... D9/541  
 D531,913 S \* 11/2006 Heisner ..... D9/560  
 D539,651 S \* 4/2007 Snyder ..... D9/449  
 D540,669 S 4/2007 George et al.  
 D576,876 S 9/2008 Mount  
 D587,586 S \* 3/2009 Patzak ..... D9/446  
 D619,473 S \* 7/2010 Biesecker ..... D9/560  
 D620,369 S \* 7/2010 Servaire ..... D9/435  
 D622,591 S \* 8/2010 Biesecker ..... D9/435  
 D630,518 S \* 1/2011 Biesecker ..... D9/547  
 D639,669 S 6/2011 Adler et al.  
 D654,799 S \* 2/2012 Liu ..... D9/560  
 D678,074 S \* 3/2013 De France ..... D9/435  
 D691,054 S \* 10/2013 Olsson ..... D9/435  
 8,616,407 B2 12/2013 Sawicki  
 D698,250 S \* 1/2014 Wade ..... D9/435  
 D698,251 S \* 1/2014 Wade ..... D9/435  
 D733,787 S \* 7/2015 Baker ..... D16/237  
 D733,788 S \* 7/2015 Baker ..... D16/237  
 D736,635 S \* 8/2015 Sadler ..... D9/522  
 D739,759 S \* 9/2015 Warner ..... D9/560  
 D742,242 S \* 11/2015 McDaniel ..... D9/553  
 D754,240 S \* 4/2016 Samuels ..... D16/219  
 D756,234 S \* 5/2016 Orset ..... D9/560

D765,508 S 9/2016 Wu  
 D772,659 S 11/2016 Middleton et al.  
 D776,544 S \* 1/2017 Staab ..... D9/520  
 D786,086 S 5/2017 Miller et al.  
 D786,674 S 5/2017 Miller et al.  
 D786,683 S 5/2017 Miller et al.  
 D792,233 S 7/2017 Miller et al.  
 2004/0173562 A1 9/2004 Wolfe  
 2006/0255041 A1 11/2006 Parks et al.  
 2007/0034595 A1 2/2007 Foster et al.  
 2009/0152229 A1 6/2009 Falzoni  
 2009/0223985 A1 9/2009 Carmody et al.  
 2009/0266736 A1\* 10/2009 Sprishen ..... B29C 49/20  
 206/459.5  
 2011/0049085 A1 3/2011 Lembke  
 2011/0094990 A1 4/2011 Sprishen et al.  
 2012/0152882 A1 6/2012 Tune  
 2015/0329232 A1 11/2015 Brozell et al.  
 2017/0057711 A1 3/2017 Miller et al.

OTHER PUBLICATIONS

Lulusoso, Perfume Bottle Cap, May 29, 2012, earliest online date, retrieved from <http://sell.lulusoso.com/selling-leads/1961487/Perfume-Bottle-Cap-Square-shape-Plastic-material.html>, Sep. 7, 2017, 7 pgs. International Search Report and Written Opinion for PCT/US2017/059602, dated Feb. 1, 2018, 15 pgs.

\* cited by examiner

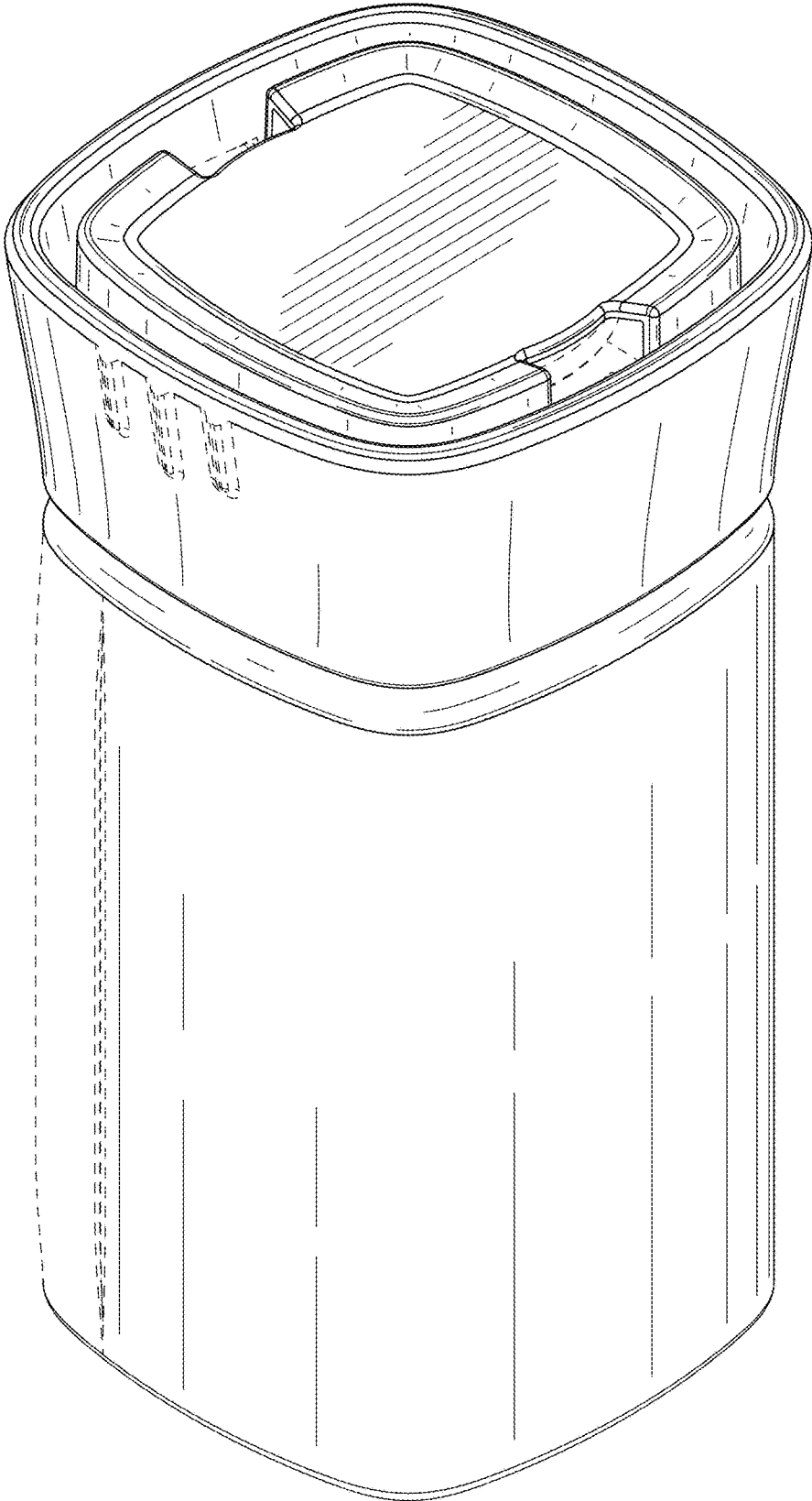


FIG. 1

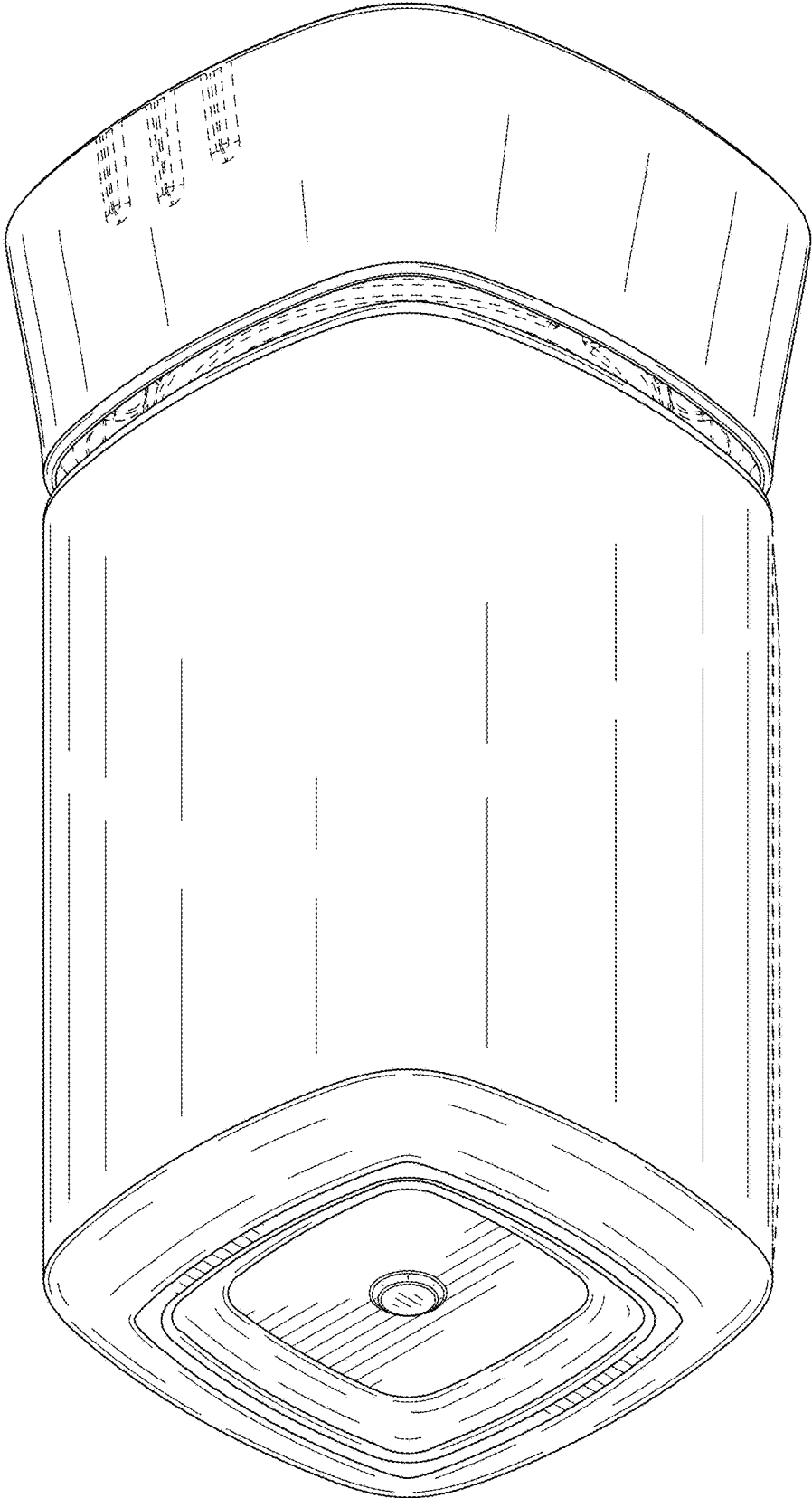


FIG. 2

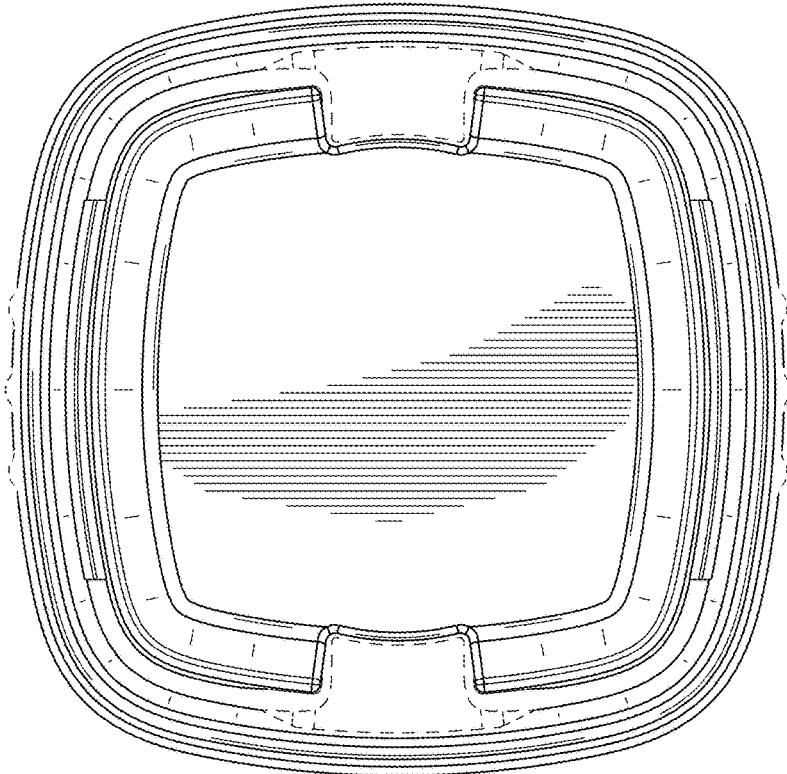


FIG. 3

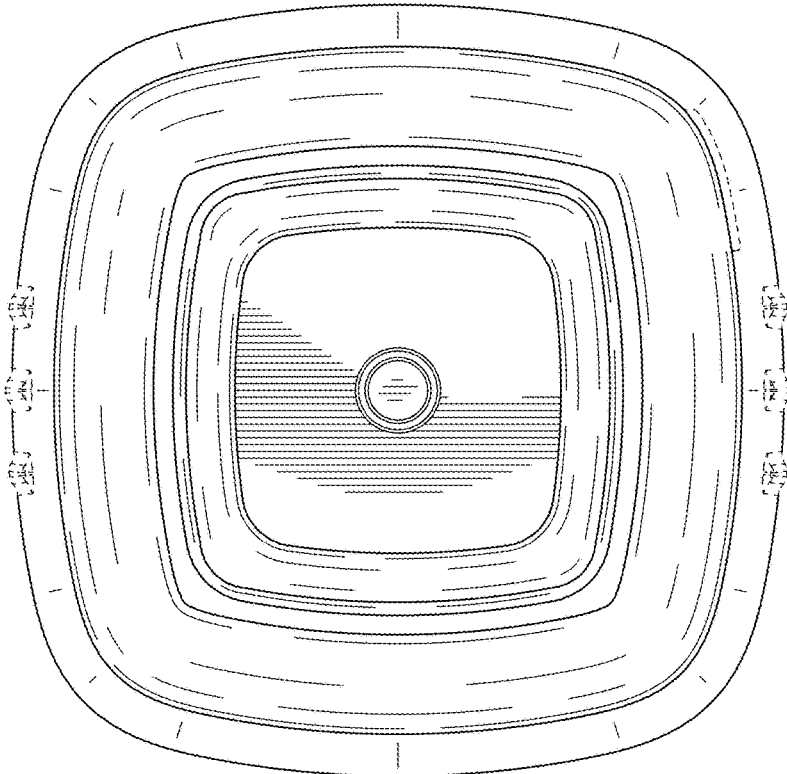


FIG. 4

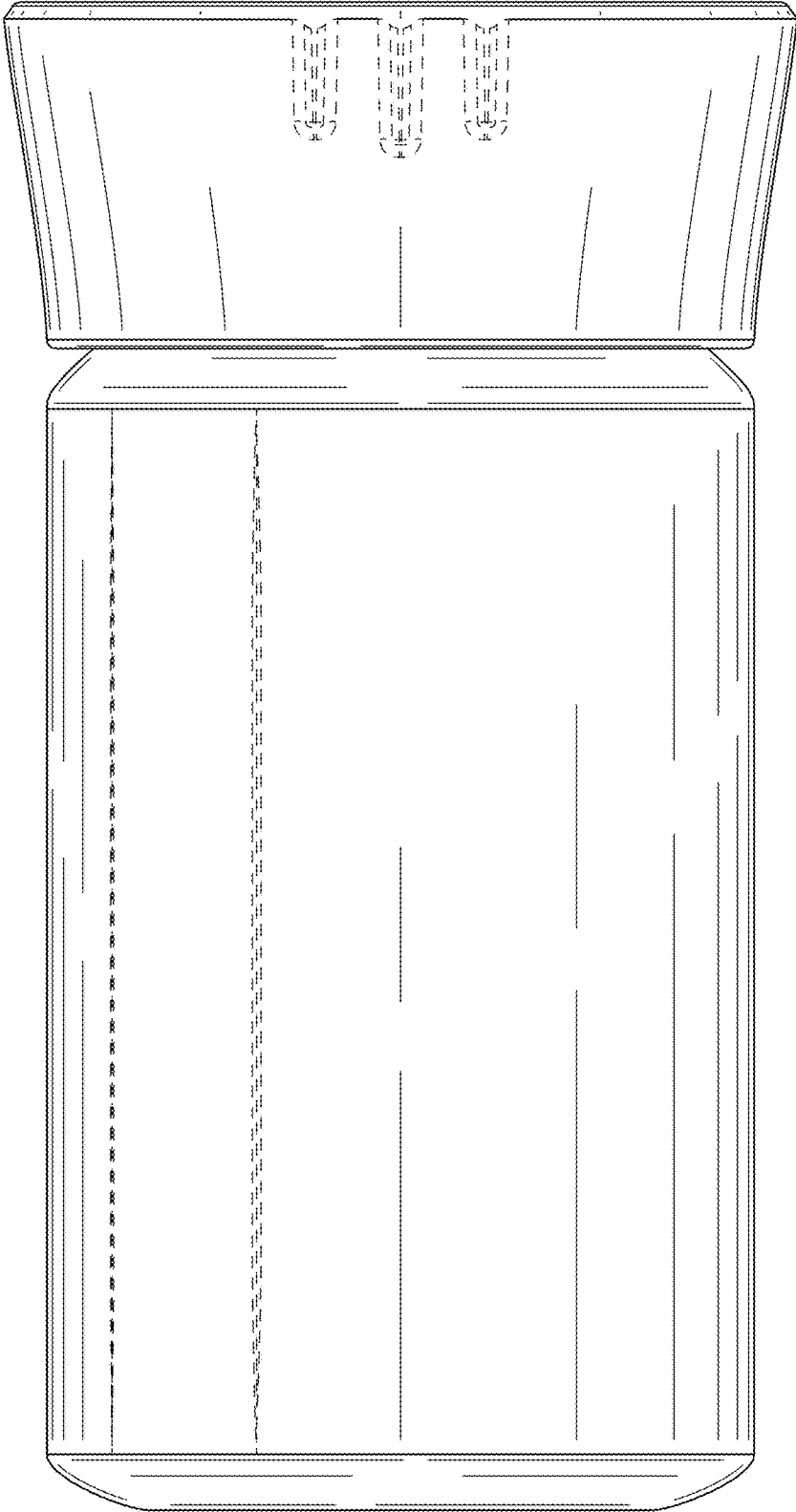


FIG. 5

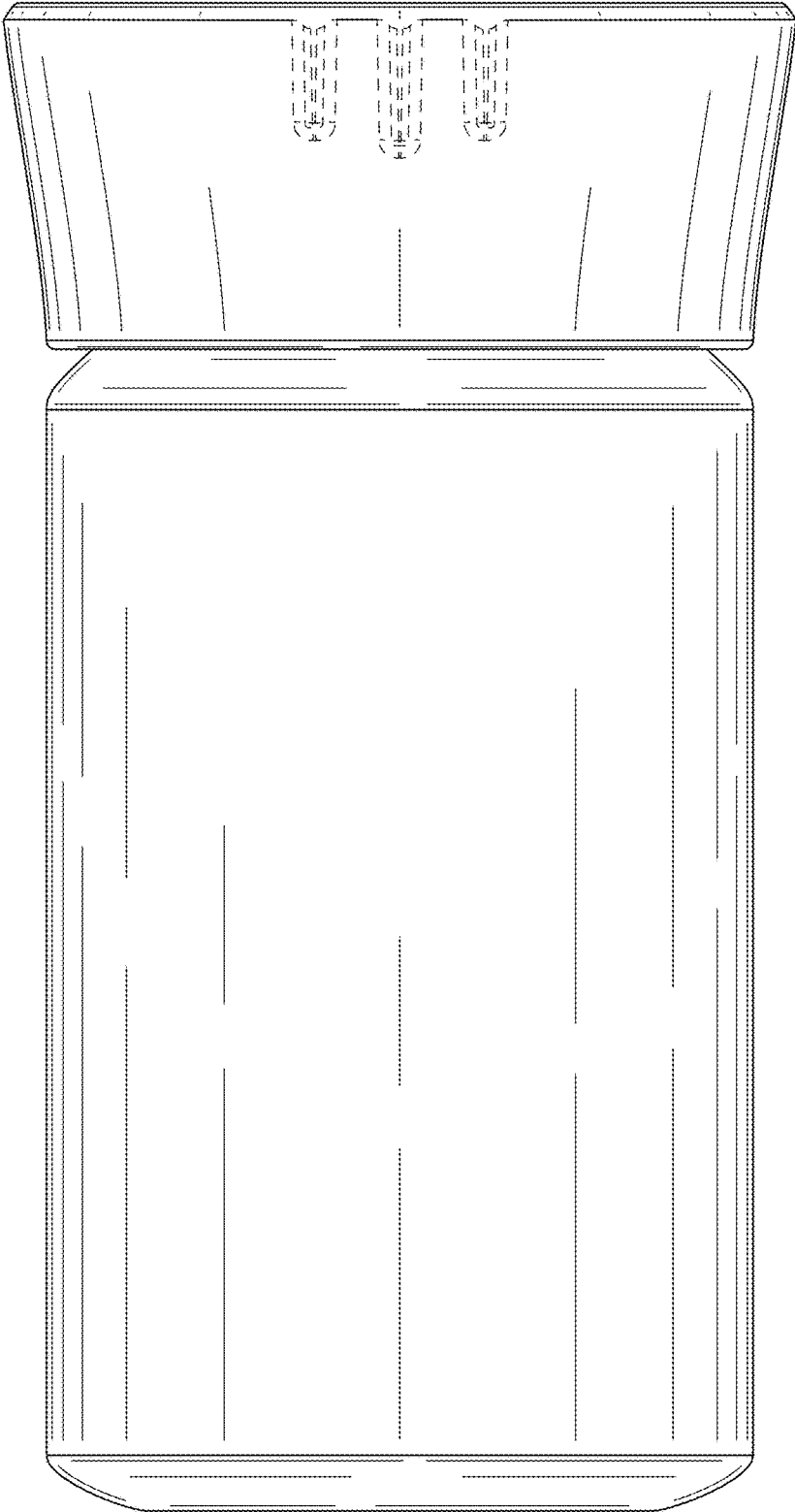


FIG. 6

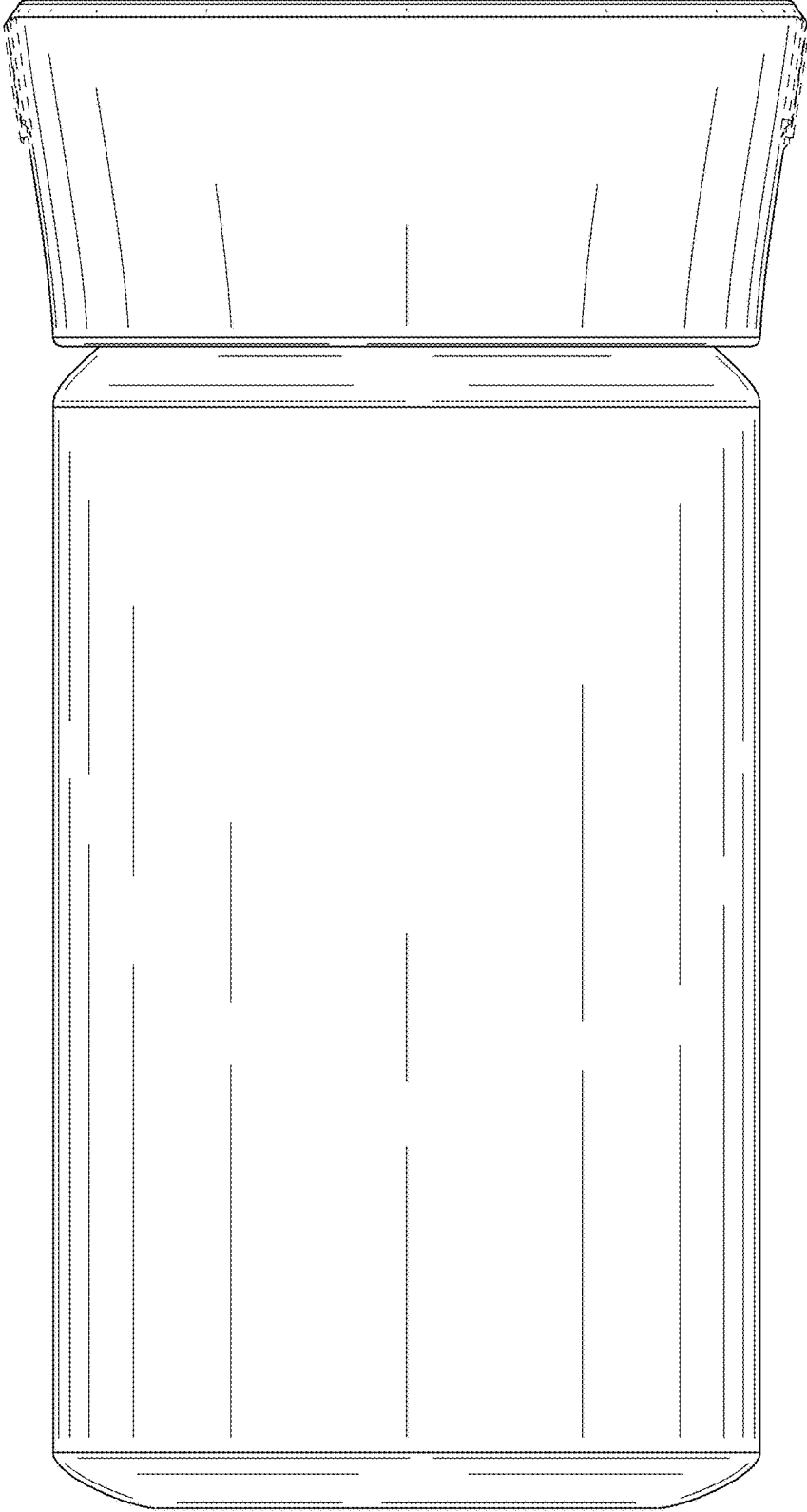


FIG. 7



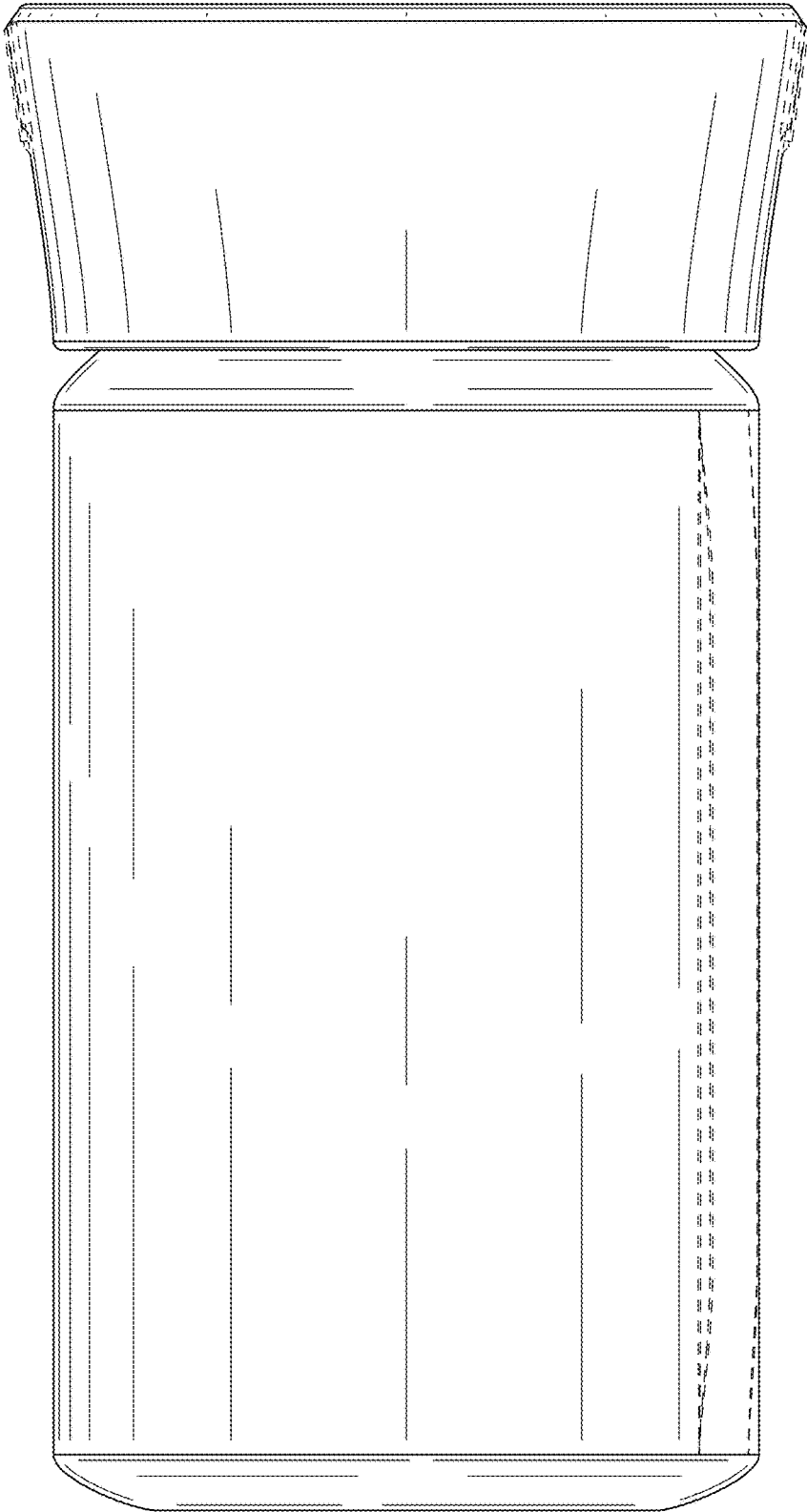


FIG. 8