

(19) World Intellectual Property
Organization
International Bureau



(43) International Publication Date
23 October 2003 (23.10.2003)

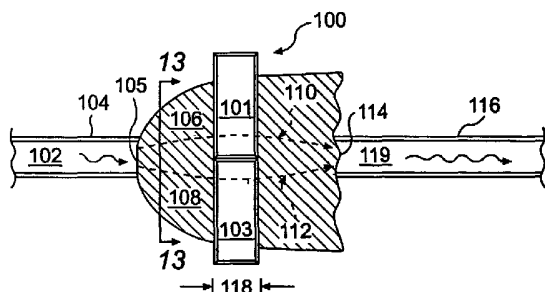
PCT

(10) International Publication Number
WO 2003/087902 A3

- (51) International Patent Classification⁷: G02B 6/293, G02F 1/21, G02B 6/34
- (74) Agent: GARRETT, Arthur, S.; Finnegan, Henderson, Farabow, Garrett & Dunner, L.L.P., 1300 I Street, N.W., Washington, DC 20005-3315 (US).
- (21) International Application Number: PCT/US2003/009582
- (81) Designated States (national): AE, AG, AL, AM, AT, AU, AZ, BA, BB, BG, BR, BY, BZ, CA, CH, CN, CO, CR, CU, CZ, DE, DK, DM, DZ, EC, EE, ES, FI, GB, GD, GE, GH, GM, HR, HU, ID, IL, IN, IS, JP, KE, KG, KP, KR, KZ, LC, LK, LR, LS, LT, LU, LV, MA, MD, MG, MK, MN, MW, MX, MZ, NI, NO, NZ, OM, PH, PL, PT, RO, RU, SC, SD, SE, SG, SK, SL, TJ, TM, TN, TR, TT, TZ, UA, UG, UZ, VC, VN, YU, ZA, ZM, ZW.
- (22) International Filing Date: 28 March 2003 (28.03.2003)
- (25) Filing Language: English
- (26) Publication Language: English
- (30) Priority Data: 10/120,562 12 April 2002 (12.04.2002) US
- (84) Designated States (regional): ARIPO patent (GH, GM, KE, LS, MW, MZ, SD, SL, SZ, TZ, UG, ZM, ZW), Eurasian patent (AM, AZ, BY, KG, KZ, MD, RU, TJ, TM), European patent (AT, BE, BG, CH, CY, CZ, DE, DK, EE, ES, FI, FR, GB, GR, HU, IE, IT, LU, MC, NL, PT, RO, SE, SI, SK, TR), OAPI patent (BF, BJ, CF, CG, CI, CM, GA, GN, GQ, GW, ML, MR, NE, SN, TD, TG).
- (71) Applicant: XTELLUS, INC. [US/US]; 25B Vreeland Road, Suite 103, Florham Park, NJ 07932 (US).
- (72) Inventors: SILBERBERG, Yaron; 18 Pamonit Street, 85338 Lehavim (IL). SUH, Seongwoo; 409 Mills Drive, Florham Park, NJ 07932 (US). COHEN, Gil; 172 North Livingston Ave., Livingston, NJ 07039 (US).

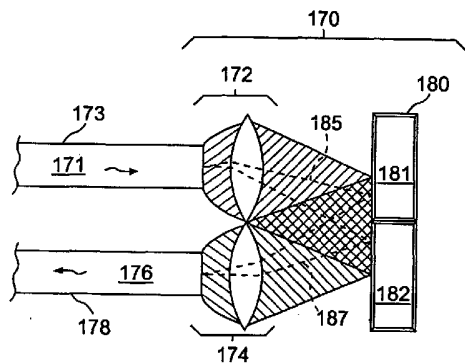
[Continued on next page]

(54) Title: TUNABLE OPTICAL FILTER



12

(57) Abstract: A tunable optical filter is provided that includes an array of independently tunable filter elements. Each of the elements is located along a different optical path that extends between an input and an output port. Optical assemblies for receiving an incident optical signal for providing a filtered optical signal are also provided. In one embodiment, polarization independent spectral filtering can be achieved. Wavelength selectable add/drop multiplexers and demultiplexers, dynamic gain equalizers and attenuators, optical channel blockers and branch filters, switches, and modulators are also provided. Furthermore, methods for constructing and operating filters consistent with this invention are also provided.



17

WO 2003/087902 A3



Published:

— *with international search report*

(88) Date of publication of the international search report:

1 April 2004

For two-letter codes and other abbreviations, refer to the "Guidance Notes on Codes and Abbreviations" appearing at the beginning of each regular issue of the PCT Gazette.

INTERNATIONAL SEARCH REPORT

International Application No
PCT/US 03/09582

A. CLASSIFICATION OF SUBJECT MATTER
IPC 7 G02B6/293 G02F1/21 G02B6/34

According to International Patent Classification (IPC) or to both national classification and IPC

B. FIELDS SEARCHED
Minimum documentation searched (classification system followed by classification symbols)
IPC 7 G02B

Documentation searched other than minimum documentation to the extent that such documents are included in the fields searched

Electronic data base consulted during the international search (name of data base and, where practical, search terms used)
EPO-Internal, WPI Data, PAJ

C. DOCUMENTS CONSIDERED TO BE RELEVANT

Category *	Citation of document, with indication, where appropriate, of the relevant passages	Relevant to claim No.
X	US 2002/005989 A1 (BHAGAVATULA VENKATA A) 17 January 2002 (2002-01-17)	1-5, 55
Y	abstract	6-28, 37, 38, 56, 57, 60-76
Y	EP 1 059 753 A (AGILENT TECHNOLOGIES INC) 13 December 2000 (2000-12-13) figures 1,2	6-28, 37, 38, 56, 57, 60-68
P, A	US 6 545 783 B1 (LIU JIAN-YU ET AL) 8 April 2003 (2003-04-08) figure 7	6-28, 39-46, 58, 59
	-/--	

Further documents are listed in the continuation of box C. Patent family members are listed in annex.

* Special categories of cited documents :

A document defining the general state of the art which is not considered to be of particular relevance	*T* later document published after the international filing date or priority date and not in conflict with the application but cited to understand the principle or theory underlying the invention
E earlier document but published on or after the international filing date	*X* document of particular relevance; the claimed invention cannot be considered novel or cannot be considered to involve an inventive step when the document is taken alone
L document which may throw doubts on priority claim(s) or which is cited to establish the publication date of another citation or other special reason (as specified)	*Y* document of particular relevance; the claimed invention cannot be considered to involve an inventive step when the document is combined with one or more other such documents, such combination being obvious to a person skilled in the art.
O document referring to an oral disclosure, use, exhibition or other means	*&* document member of the same patent family
P document published prior to the international filing date but later than the priority date claimed	

Date of the actual completion of the international search 11 December 2003	Date of mailing of the international search report 19/12/2003
---	--

Name and mailing address of the ISA European Patent Office, P.B. 5818 Patentlaan 2 NL - 2280 HV Rijswijk Tel. (+31-70) 340-2040, Tx. 31 651 epo nl, Fax: (+31-70) 340-3016	Authorized officer Malic, K
--	------------------------------------

INTERNATIONAL SEARCH REPORT

International Application No

PCT/US 03/09582

C.(Continuation) DOCUMENTS CONSIDERED TO BE RELEVANT

Category °	Citation of document, with indication, where appropriate, of the relevant passages	Relevant to claim No.
A	EP 1 098 211 A (JDS UNIPHASE INC) 9 May 2001 (2001-05-09) figure 1 ---	29-36, 50-54, 62-67
Y	US 2002/012494 A1 (CAO SIMON X F) 31 January 2002 (2002-01-31) abstract ---	69-76
A	US 6 169 604 B1 (CAO SIMON X F) 2 January 2001 (2001-01-02) ---	
A	US 4 973 124 A (KAEDE KAZUHISA) 27 November 1990 (1990-11-27) ---	
A	EP 0 903 615 A (NIPPON TELEGRAPH & TELEPHONE) 24 March 1999 (1999-03-24) -----	

INTERNATIONAL SEARCH REPORT

Information on patent family members

International Application No

PCT/US 03/09582

Patent document cited in search report	Publication date	Patent family member(s)	Publication date
US 2002005989 A1	17-01-2002	US 6317265 B1	13-11-2001
		US 6046854 A	04-04-2000
		US 5841583 A	24-11-1998
		AU 1848497 A	28-08-1997
		CA 2240903 A1	14-08-1997
		CN 1246925 A	08-03-2000
		EP 0879433 A1	25-11-1998
		JP 2001521633 T	06-11-2001
		WO 9729392 A1	14-08-1997
EP 1059753 A	13-12-2000	US 6486984 B1	26-11-2002
		EP 1059753 A2	13-12-2000
		JP 2001028568 A	30-01-2001
US 6545783 B1	08-04-2003	US 5978116 A	02-11-1999
		US 5867291 A	02-02-1999
		US 6166838 A	26-12-2000
		US 6285478 B1	04-09-2001
		US 6208442 B1	27-03-2001
		AU 3764000 A	09-10-2000
		WO 0057665 A1	28-09-2000
		US 6163393 A	19-12-2000
		US 6208444 B1	27-03-2001
		US 6137606 A	24-10-2000
		US 6288807 B1	11-09-2001
		US 6498680 B1	24-12-2002
		US 2002163691 A1	07-11-2002
		US 2002030866 A1	14-03-2002
		AU 731680 B2	05-04-2001
		AU 4674397 A	22-05-1998
		CN 1235721 A	17-11-1999
		EP 0937346 A1	25-08-1999
		JP 2001503160 T	06-03-2001
		US 6097518 A	01-08-2000
		WO 9819415 A1	07-05-1998
		US 6115155 A	05-09-2000
		US 6175432 B1	16-01-2001
		US 6545779 B1	08-04-2003
		US 5694233 A	02-12-1997
		US 6005697 A	21-12-1999
		US 5912748 A	15-06-1999
		AU 2899299 A	20-09-1999
		CA 2320723 A1	10-09-1999
		CN 1292983 T	25-04-2001
		EP 1060633 A1	20-12-2000
		JP 2002506244 T	26-02-2002
		TW 448647 B	01-08-2001
		WO 9945738 A1	10-09-1999
		US 6600582 B1	29-07-2003
		AU 3211599 A	18-10-1999
		CA 2323487 A1	30-09-1999
CN 1295748 T	16-05-2001		
EP 1072121 A1	31-01-2001		
JP 2002508528 T	19-03-2002		
TW 413986 B	01-12-2000		
WO 9949605 A1	30-09-1999		
US 2001038479 A1	08-11-2001		

INTERNATIONAL SEARCH REPORT

Information on patent family members

International Application No

PCT/US 03/09582

Patent document cited in search report	A	Publication date	Patent family member(s)	Publication date
EP 1098211	A	09-05-2001	US 6519065 B1	11-02-2003
			CA 2324709 A1	05-05-2001
			CA 2324716 A1	05-05-2001
			CN 1300950 A	27-06-2001
			CN 1295258 A	16-05-2001
			EP 1098211 A1	09-05-2001
			EP 1098212 A1	09-05-2001
			US 2001021053 A1	13-09-2001
US 2002012494	A1	31-01-2002	US 6263126 B1	17-07-2001
			JP 2000075163 A	14-03-2000
US 6169604	B1	02-01-2001	CA 2327654 A1	31-08-2000
			EP 1076934 A2	21-02-2001
			JP 2002538443 A	12-11-2002
			WO 0051247 A2	31-08-2000
			US 6310690 B1	30-10-2001
US 4973124	A	27-11-1990	JP 2099370 C	22-10-1996
			JP 2168222 A	28-06-1990
			JP 8016739 B	21-02-1996
EP 0903615	A	24-03-1999	JP 3282162 B2	13-05-2002
			JP 11095184 A	09-04-1999
			JP 3281603 B2	13-05-2002
			JP 11119186 A	30-04-1999
			EP 0903615 A2	24-03-1999
			US 6545739 B1	08-04-2003