



US00D360321S

United States Patent [19]

[11] Patent Number: **Des. 360,321**

Wang et al.

[45] Date of Patent: **** Jul. 18, 1995**

[54] **MULTI-PURPOSE RACK FOR CHEMICAL REAGENT VESSELS**

[56] **References Cited**

U.S. PATENT DOCUMENTS

D. 257,390	10/1980	Hahn et al.	D24/230
D. 323,441	1/1992	Waldeck	D6/473 X
1,270,095	6/1918	Baehr	211/74
3,604,566	9/1971	Rem et al.	211/74

[76] Inventors: **Yue Wang**, 60 Middlesex Rd., Apt. 3, Waltham, Mass. 02154; **Cliff Rohrabacher**, R.D. #2, Box 81, Charlestown Rd., Hampton, N.J. 08827; **Denise Luna**, 19 DeMott Ave., Clifton, N.J. 07011

Primary Examiner—Alan P. Douglas
Assistant Examiner—S. Snapp
Attorney, Agent, or Firm—Anthony F. Cuoco

[**] Term: **14 Years**

[57] CLAIM

The ornamental design for a multi-purpose rack for chemical reagent vessels, as shown and described.

[21] Appl. No.: **28,929**

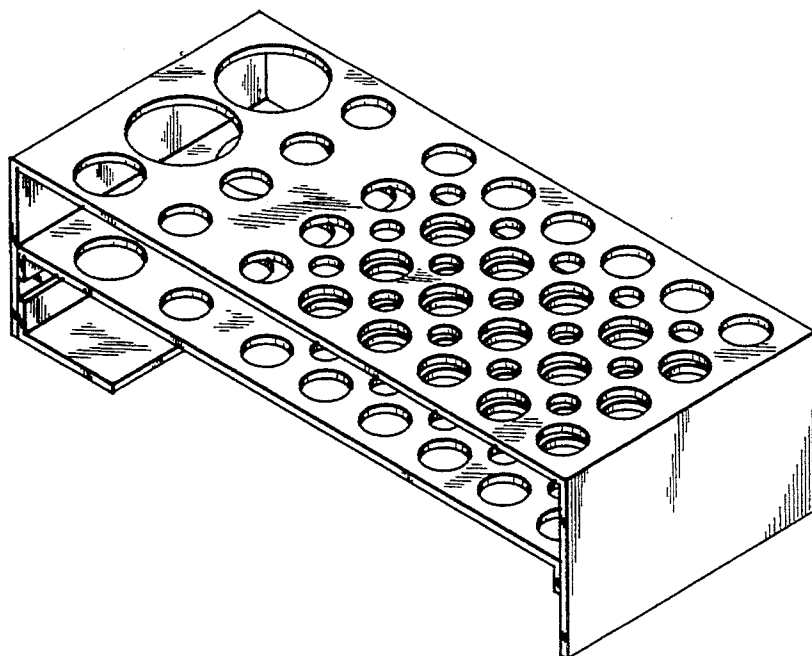
DESCRIPTION

[22] Filed: **Sep. 26, 1994**

[52] U.S. Cl. **D6/469**

[58] Field of Search D6/396, 399, 449, 450,
 D6/451, 466-469, 473-476; D24/227, 230, 231;
 D28/73; 211/74

FIG. 1 is a perspective view of a multi-purpose rack for chemical reagent vessels showing my new design;
 FIG. 2 is a top plan view thereof;
 FIG. 3 is a bottom plan view thereof;
 FIG. 4 is a side elevational view, with the opposite side appearing as a mirror image thereof; and,
 FIG. 5 is an end elevational view thereof, with the opposite end appearing the same.



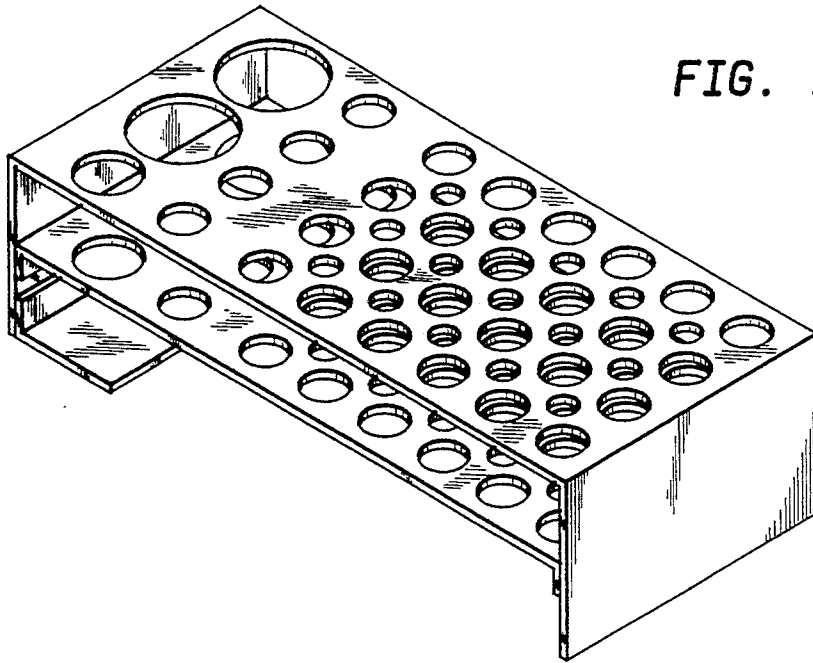


FIG. 1

FIG. 2

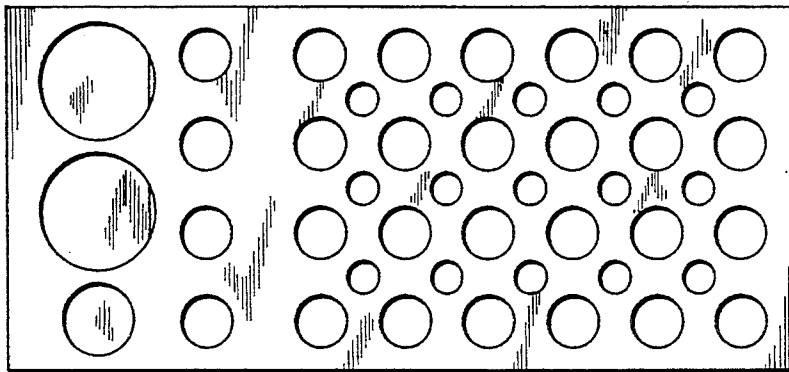


FIG. 3

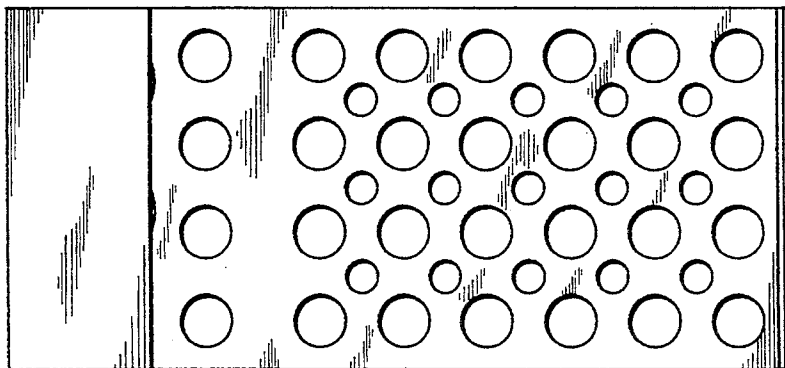


FIG. 4

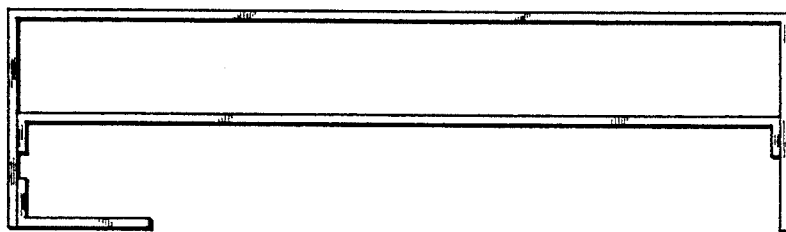


FIG. 5

