



US00D718484S

(12) **United States Design Patent**
Eberle

(10) **Patent No.:** **US D718,484 S**

(45) **Date of Patent:** **** *Nov. 25, 2014**

(54) **LIGHTING FIXTURE**

(71) Applicant: **Zumtobel Lighting GmbH**, Dornbirn (AT)

(72) Inventor: **Daniel Eberle**, Dornbirn (AT)

(73) Assignee: **Zumtobel Lighting GmbH**, Lemgo (DE)

(*) Notice: This patent is subject to a terminal disclaimer.

(**) Term: **14 Years**

(21) Appl. No.: **29/443,408**

(22) Filed: **Jan. 17, 2013**

(30) **Foreign Application Priority Data**

Jul. 17, 2012 (EM) 001 335 160

(51) **LOC (10) Cl.** **26-03**

(52) **U.S. Cl.**
USPC **D26/89**

(58) **Field of Classification Search**
USPC D26/1, 24, 72, 74, 80, 83, 85, 86, 89,
D26/91, 118, 120, 124, 128, 131, 135;
362/101, 133, 147, 267, 453-456, 507
See application file for complete search history.

(56) **References Cited**

U.S. PATENT DOCUMENTS

D28,455 S * 4/1898 Baker D26/124
D165,259 S * 11/1951 Baker D26/74
D190,387 S * 5/1961 Wince D26/89
D213,464 S * 3/1969 Meyer D26/89
D221,351 S * 8/1971 Remington D26/86

D284,109 S * 6/1986 Seal, Jr. D26/72
D308,423 S * 6/1990 Galipeau et al. D26/67
D309,953 S * 8/1990 Chien D26/67
D375,808 S * 11/1996 Fang D26/26
D473,667 S * 4/2003 Fromm D26/56
D514,732 S * 2/2006 Benensohn D26/89
D551,379 S * 9/2007 Maxik D26/74
D592,348 S * 5/2009 Trott et al. D26/74
D629,146 S * 12/2010 van den Akker D26/89
D632,007 S * 2/2011 Kim et al. D26/120
D634,055 S * 3/2011 Hokazono et al. D26/89
D648,060 S * 11/2011 Yamamoto et al. D26/120
D668,374 S * 10/2012 Wauters D26/89
D671,259 S * 11/2012 Chen D26/135
D698,981 S * 2/2014 Eberle

* cited by examiner

Primary Examiner — Clare E Heflin

(74) *Attorney, Agent, or Firm* — Marshall, Gerstein & Borun LLP

(57) **CLAIM**

The ornamental design for a lighting fixture, as shown and described.

DESCRIPTION

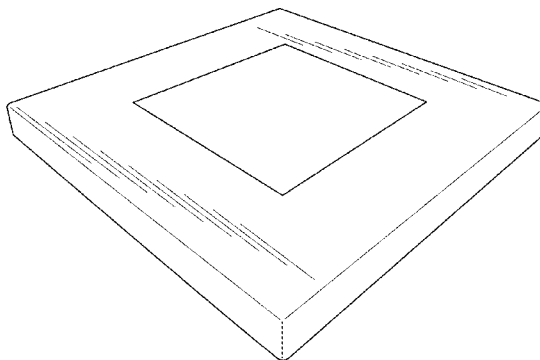
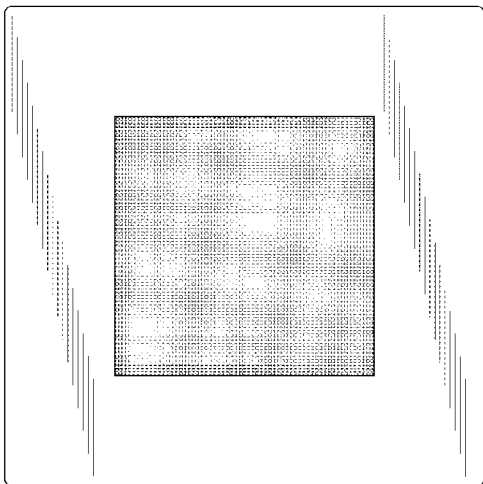
FIG. 1 is a front view of a lighting fixture that has the design. FIG. 2 is a front view with the lighting fixture illuminated, illustrating the ornamental effect.

FIG. 3 is a front and side orthogonal view of the lighting fixture.

FIG. 4 is a fragmentary front and side orthogonal view showing the lighting fixture in the illuminated condition, with a corner cut away for ease of illustration only; and, FIG. 5 is a back and side view orthogonal view of the lighting fixture.

The broken lines in FIG. 5 represent portions on the back of the lighting fixture that form no part of the claimed design.

1 Claim, 4 Drawing Sheets



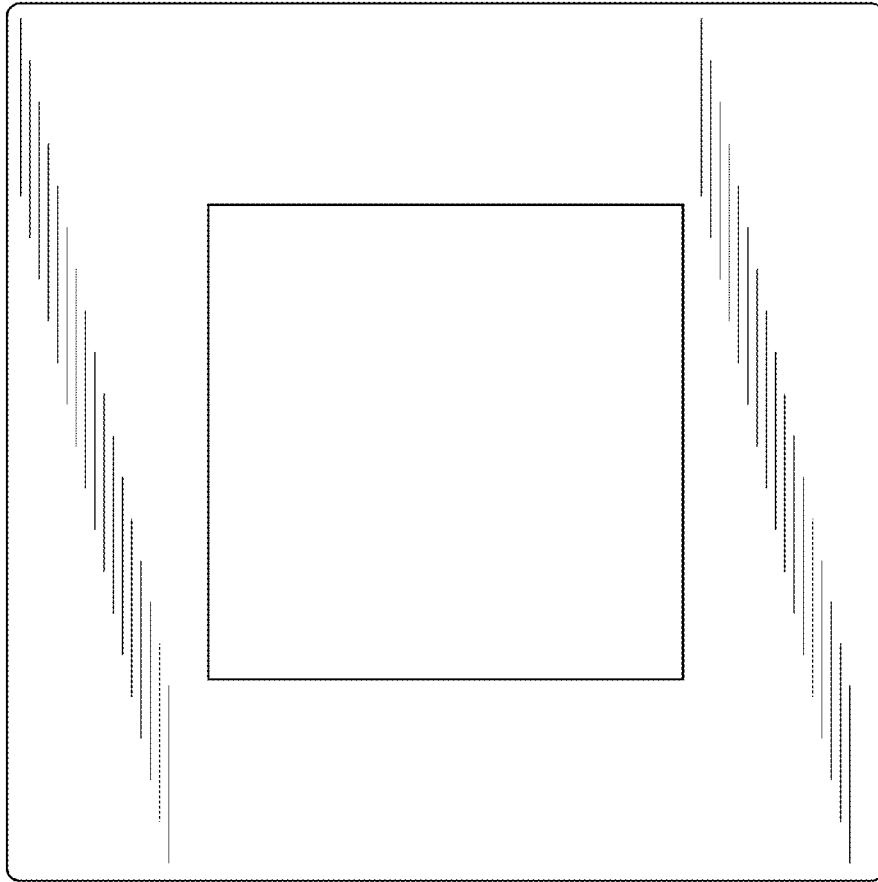


Fig. 1

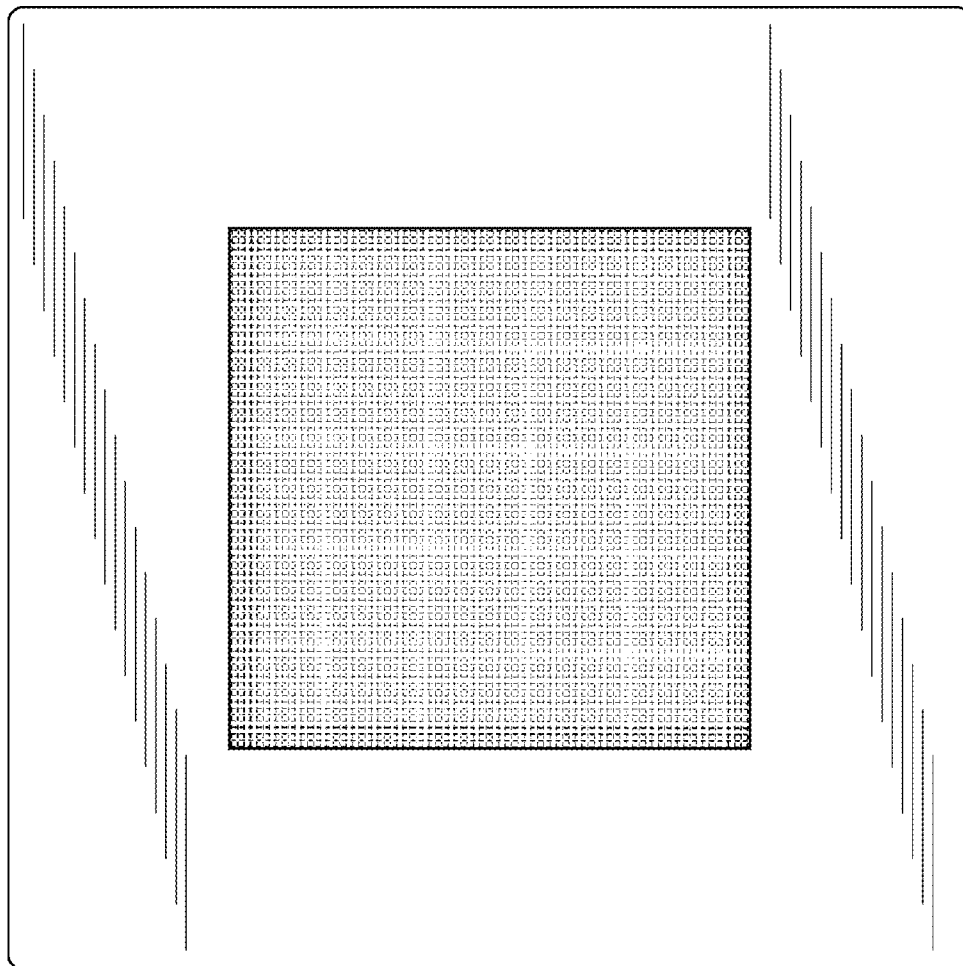


Fig. 2

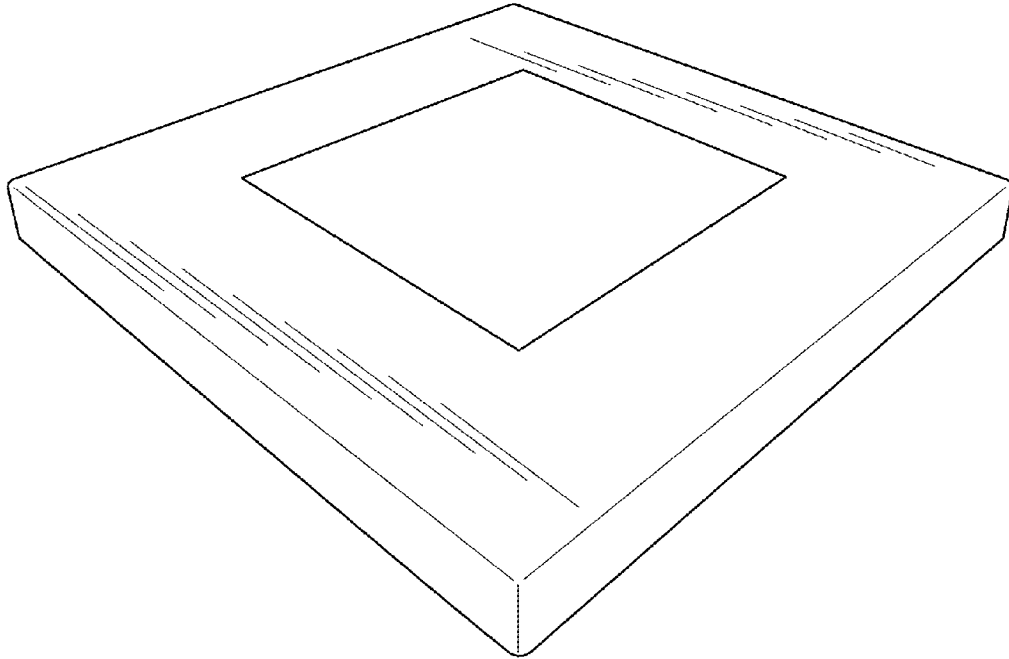


Fig. 3

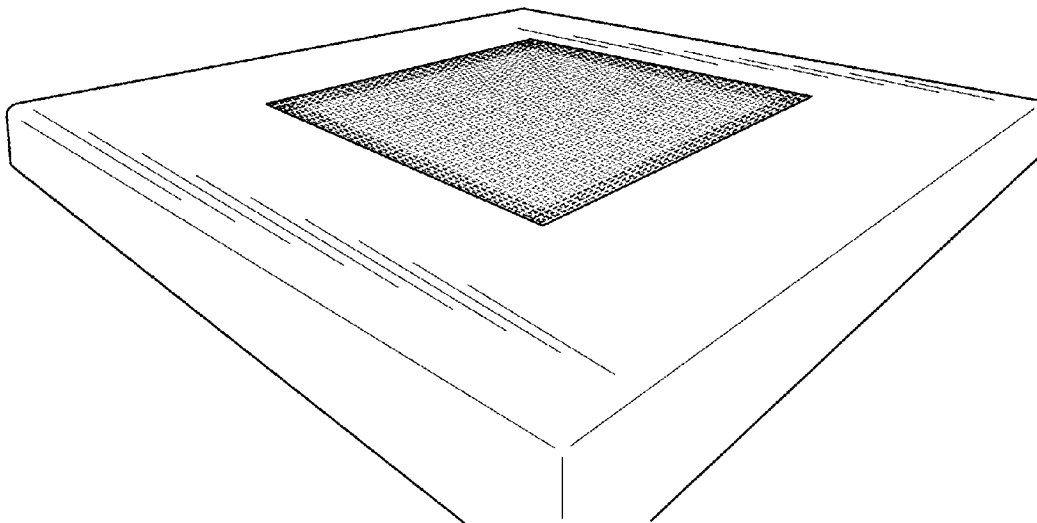


Fig. 4

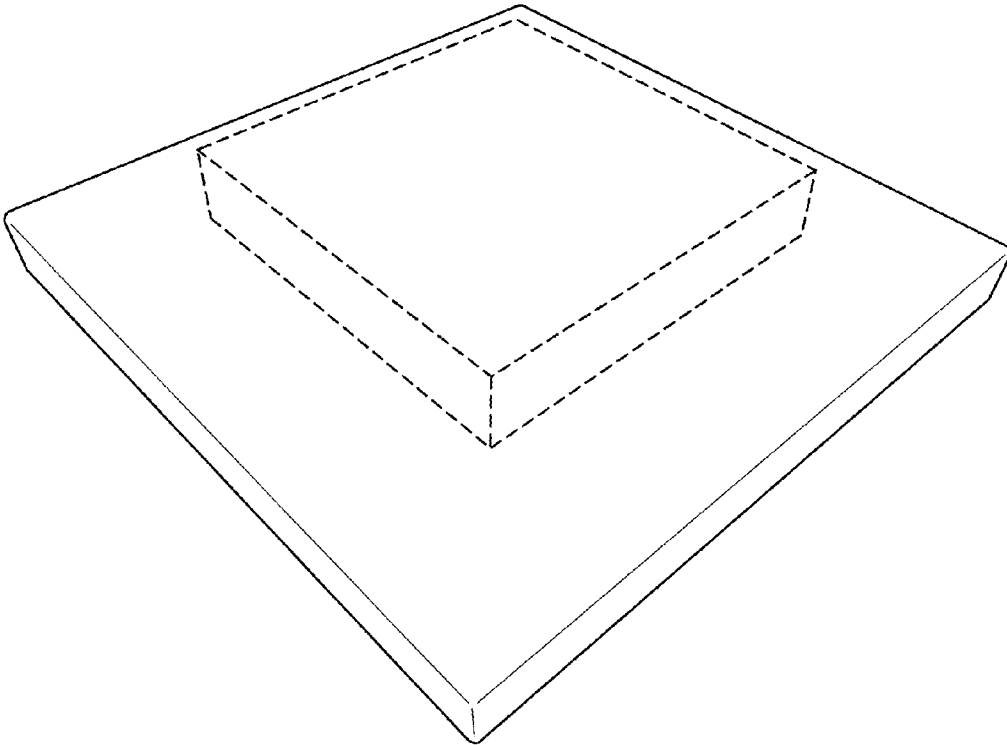


Fig. 5