



US00D763824S

(12) **United States Design Patent**
Kaplan et al.

(10) **Patent No.:** **US D763,824 S**

(45) **Date of Patent:** **** Aug. 16, 2016**

(54) **UNDER DASH SPEAKER BOX**

(71) Applicant: **SSV WORKS, INC.**, Oxnard, CA (US)

(72) Inventors: **Trevor Kaplan**, Oxnard, CA (US);
Nathan Perkins, Camarillo, CA (US)

(73) Assignee: **SSV WORKS, INC.**, Oxnard, CA (US)

(**) Term: **14 Years**

(21) Appl. No.: **29/507,991**

(22) Filed: **Oct. 31, 2014**

(51) **LOC (10) Cl.** **14-03**

(52) **U.S. Cl.**
USPC **D14/215**

(58) **Field of Classification Search**

USPC D14/168, 170-172, 188, 194-196, 204,
D14/207, 210-216, 219, 221, 222, 224,
D14/496; 181/143, 144, 147, 148, 150, 153,
181/157, 198, 199; 381/300-303, 306, 332,
381/333, 336, 345, 361-364, 386-388
CPC B60R 11/0217; G06F 1/1688; H04M 1/03;
H04M 1/035; H04R 1/02; H04R 1/06; H04R
1/021; H04R 1/025; H04R 1/026; H04R
1/028; H04R 1/105; H04R 1/323; H04R
1/403; H04R 1/2803; H04R 1/2834; H04R
5/02; H04R 7/20; H04R 9/06; H04R 9/025;
H04R 2201/021; H04R 2400/00; H04R
2400/07; H04R 2499/11; H04R 2499/13;
H04R 2499/15; H04S 3/00; H04S 7/30

See application file for complete search history.

(56) **References Cited**

U.S. PATENT DOCUMENTS

D302,556 S *	8/1989	Weissberg	D14/221
D302,695 S *	8/1989	Weissberg	D14/221
D314,546 S *	2/1991	Insaurralde	D14/210
D350,135 S *	8/1994	Polk, Jr.	D14/204
D379,988 S *	6/1997	Holdaway	D14/204
D603,760 S *	11/2009	Gregory	D12/114
D622,700 S *	8/2010	Chen	D14/214
D623,168 S *	9/2010	Chen	D14/214
D740,199 S *	10/2015	Akita	D12/307

* cited by examiner

Primary Examiner — Keli L Hill

(74) *Attorney, Agent, or Firm* — Koppel, Patrick, Heybl & Philpott

(57) **CLAIM**

The ornamental design for an under dash speaker box, as shown and described herein.

DESCRIPTION

FIG. 1 is a top, front and right side perspective view of an under dash speaker box embodying a new design, shown installed into a vehicle;

FIG. 2 is a top, front elevation view thereof, shown not installed in a vehicle; and,

FIG. 3 is a front elevation view thereof.

The broken lines shown in the above figures depict environmental subject matter only and form no part of the claimed design in those embodiments.

1 Claim, 2 Drawing Sheets

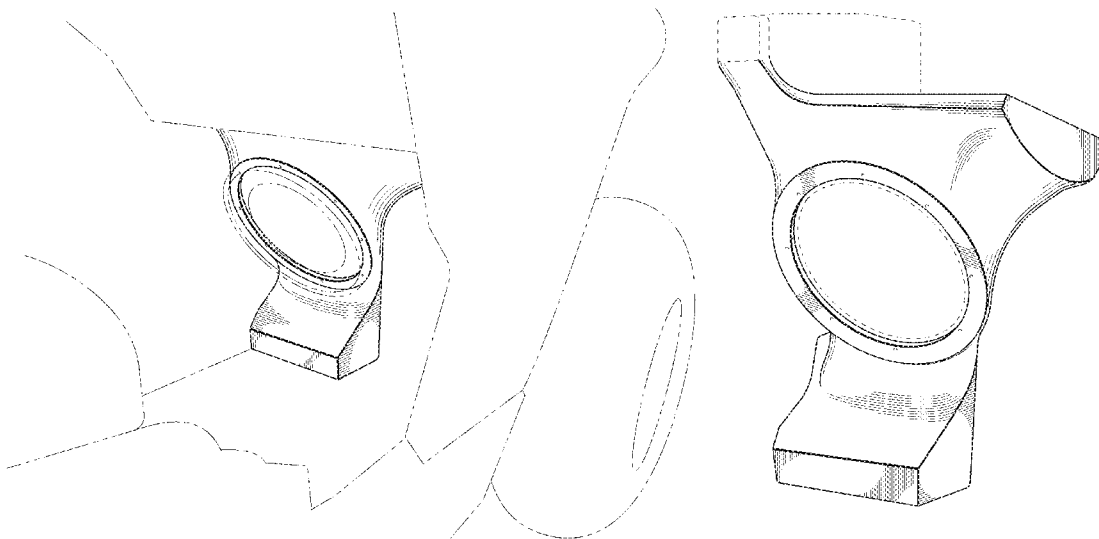
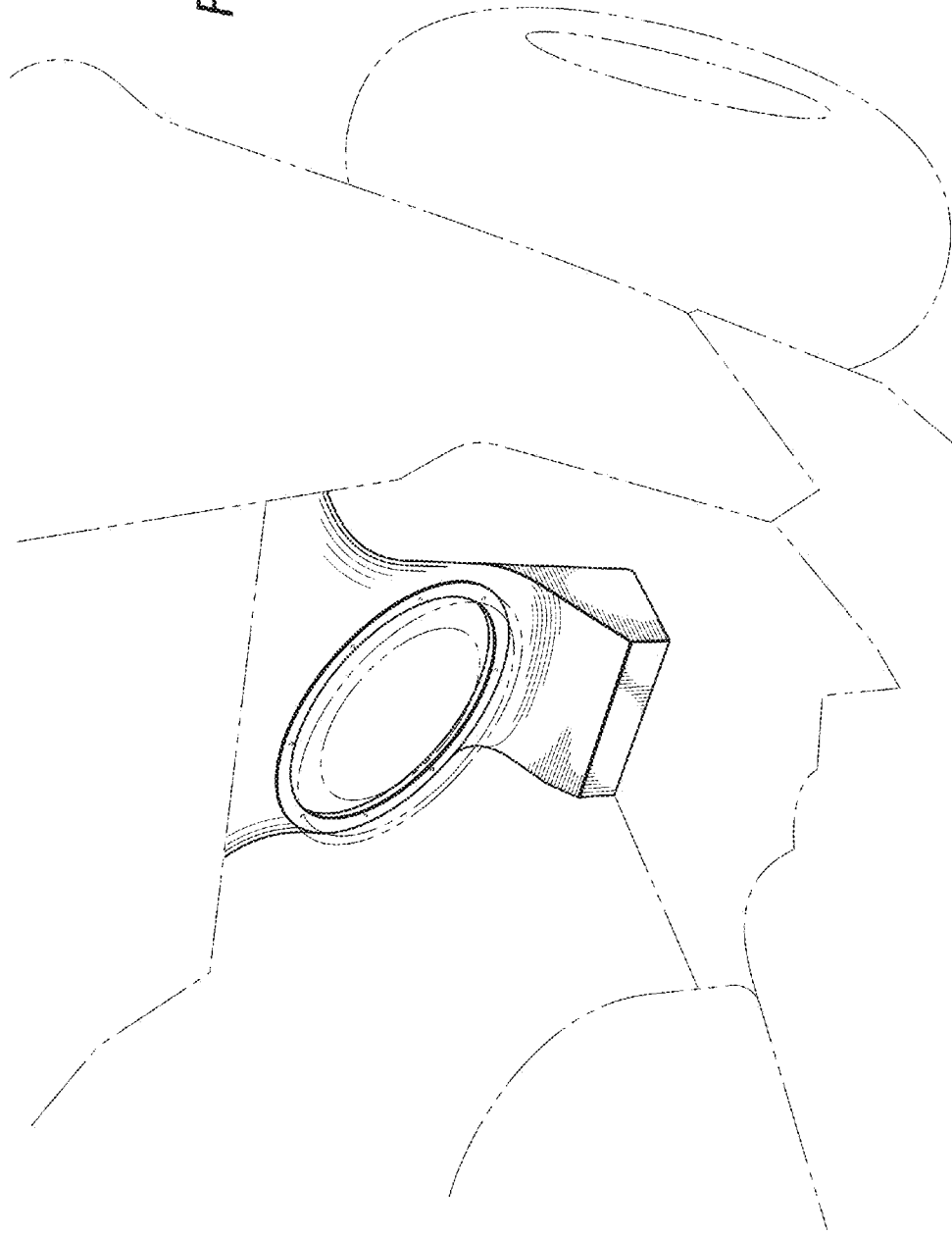


FIG. 1



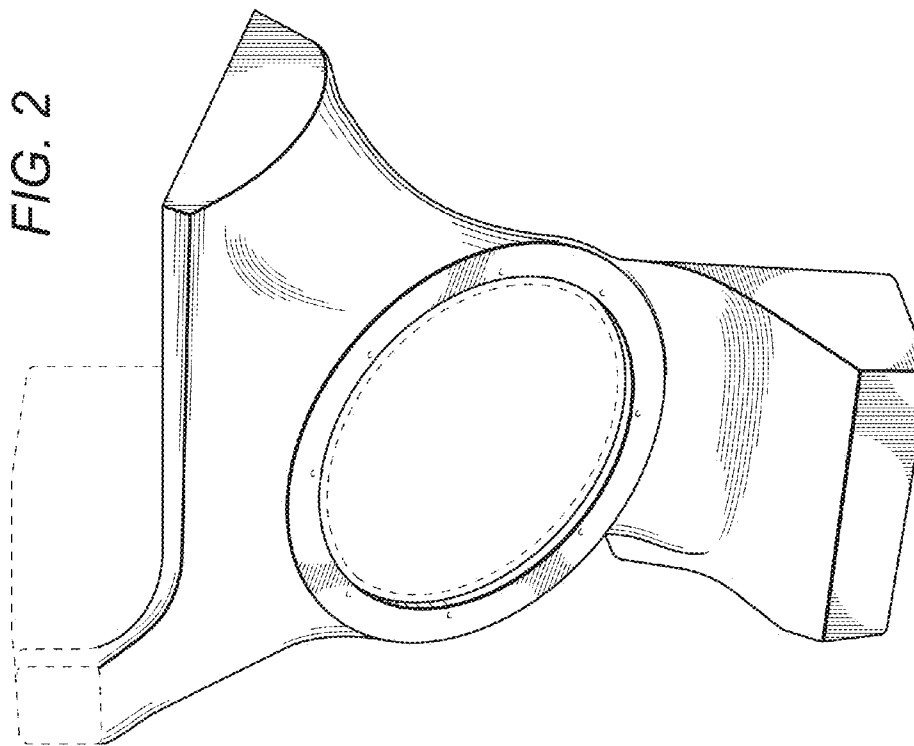
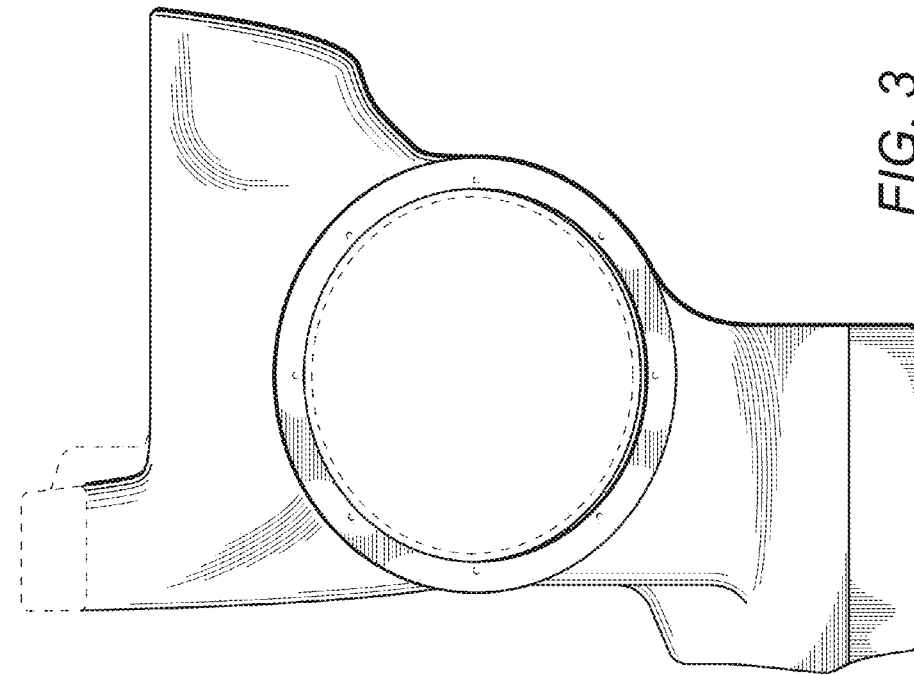


FIG. 2

FIG. 3