



US00D417019S

United States Patent [19]

[11] Patent Number: Des. 417,019

Rachwal et al.

[45] Date of Patent: ** Nov. 23, 1999

[54] FLASHLIGHT

D. 388,713	1/1998	Yuen	D26/38
D. 397,465	8/1998	Youri	D26/38
D. 399,579	10/1998	Zai	D26/38

[76] Inventors: **James D. Rachwal; Erwin J. Rachwal**, both of 4975 Southern Wood Dr., Sarasota, Fla. 34241

Primary Examiner—Marcus A. Jackson
Attorney, Agent, or Firm—Tarolli, Sundheim, Covell, Tummino & Szabo

[**] Term: 14 Years

[57] CLAIM

[21] Appl. No.: 29/098,842

The ornamental design for flashlight, as shown.

[22] Filed: Jan. 7, 1999

DESCRIPTION

[51] LOC (6) Cl. 26-02

[52] U.S. Cl. D26/37

[58] Field of Search D26/37-50; 362/157, 362/158, 183-191, 194-208

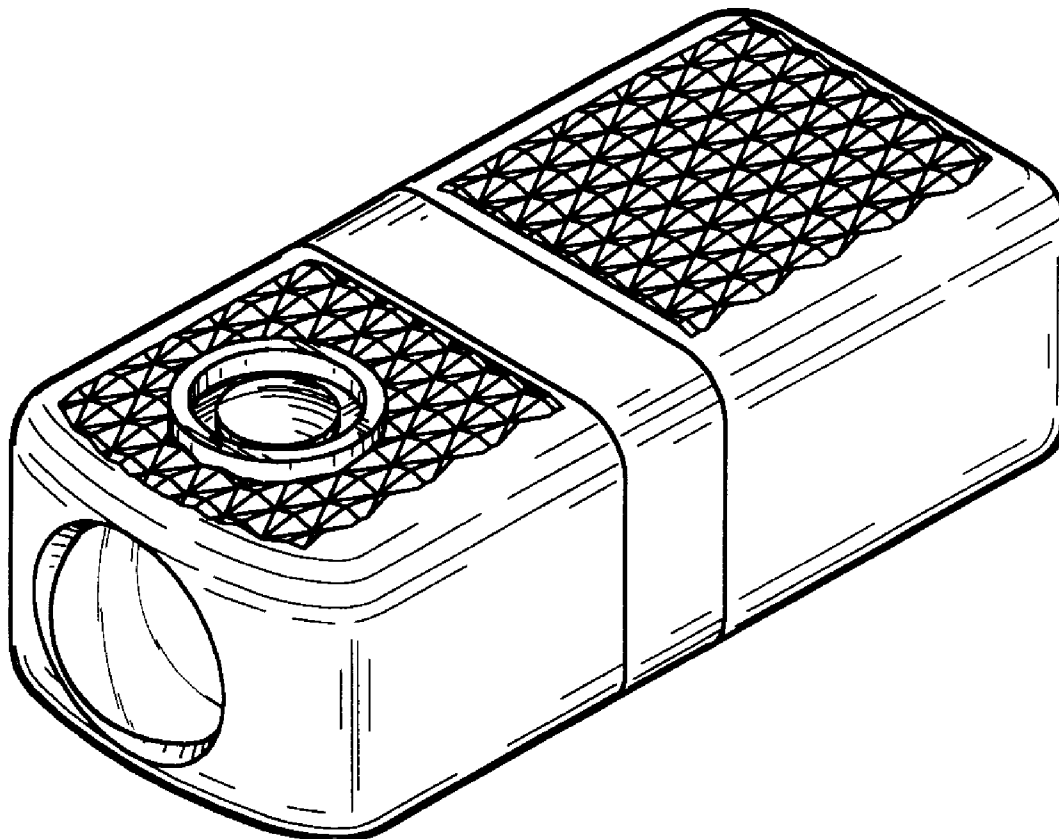
FIG. 1 is a full size pictorial illustration of our new and original design for a flashlight;
FIG. 2 is a top plan view of FIG. 1;
FIG. 3 is a bottom plan view of FIG. 1;
FIG. 4 is a side elevational view of FIG. 1;
FIG. 5 is a front elevational view of FIG. 1; and,
FIG. 6 is a rear elevational view of FIG. 1.

[56] References Cited

U.S. PATENT DOCUMENTS

D. 360,837	8/1995	Chui	D26/38
D. 361,633	8/1995	Chabria	D26/37
D. 384,175	9/1997	Ziu	D26/38

1 Claim, 1 Drawing Sheet



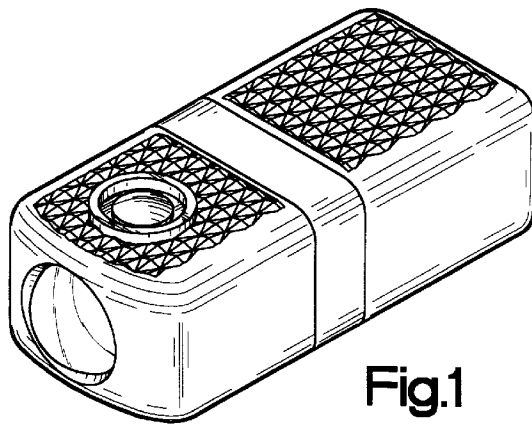


Fig.1

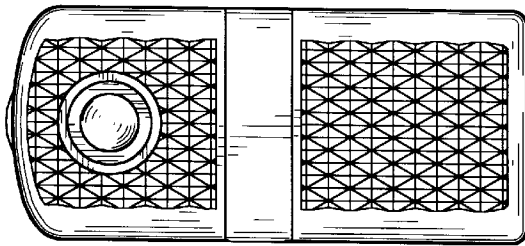


Fig.2

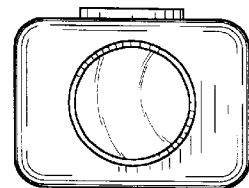


Fig.5

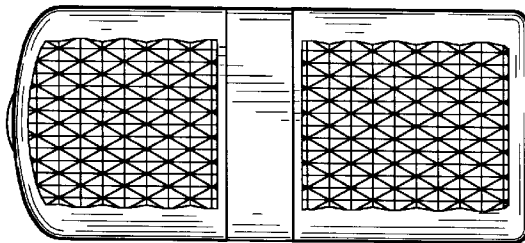


Fig.3

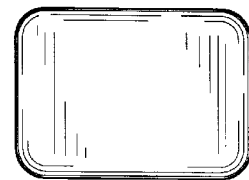


Fig.6

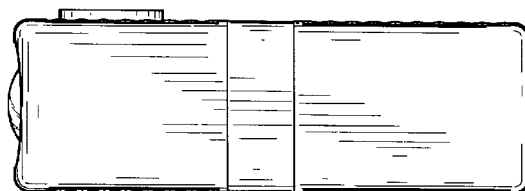


Fig.4