

(19) World Intellectual Property Organization
International Bureau



(43) International Publication Date
13 December 2001 (13.12.2001)

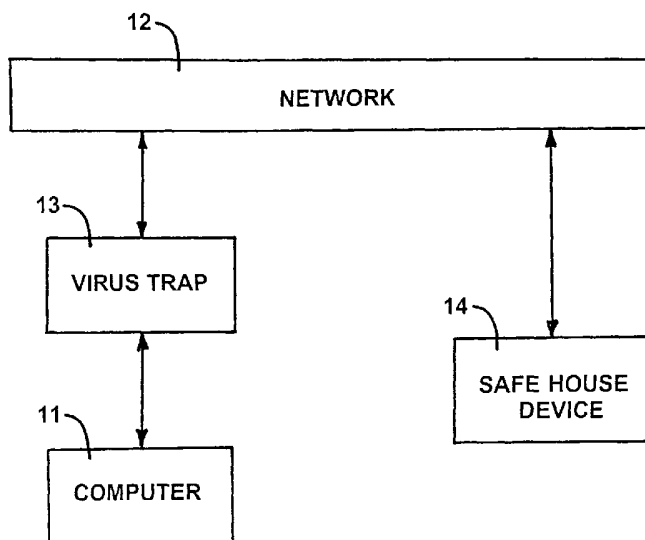
PCT

(10) International Publication Number
WO 01/095067 A3

- (51) International Patent Classification⁷: **G06F 11/30**, H04L 9/00
- (21) International Application Number: PCT/US01/40910
- (22) International Filing Date: 11 June 2001 (11.06.2001)
- (25) Filing Language: English
- (26) Publication Language: English
- (30) Priority Data: 60/210,656 9 June 2000 (09.06.2000) US
- (71) Applicant: **ZF MICRO DEVICES, INC.** [US/US]; 1052 Elwell Court, Palo Alto, CA 94303 (US).
- (72) Inventor: **THACKER, Will**; 440 Henderson Street, Suite A, Grass Valley, CA 95945 (US).
- (74) Agents: **WRIGHT, Edward, S.** et al.; Flehr Hohbach Test Albritton & Herbert LLP, 4 Embarcadero Center, Suite 3400, San Francisco, CA 94111-4187 (US).
- (81) Designated States (*national*): CA, JP, KR.
- (84) Designated States (*regional*): European patent (AT, BE, CH, CY, DE, DK, ES, FI, FR, GB, GR, IE, IT, LU, MC, NL, PT, SE, TR).
- Published:
— with international search report
- (88) Date of publication of the international search report:
30 October 2003

For two-letter codes and other abbreviations, refer to the "Guidance Notes on Codes and Abbreviations" appearing at the beginning of each regular issue of the PCT Gazette.

(54) Title: SYSTEM AND METHOD FOR PROTECTING A NETWORKED COMPUTER FROM VIRUSES



(57) Abstract: The system has a computer (11) which is connected to the Internet or other network of computers (12), with a virus trap (13) connected between the computer (11) and the network (12) for preventing viruses from entering the computer (11) from the network (12). A fully isolated test computer (14), sometimes referred to as a safe house device, is also connected to the network for testing programs which are downloaded intentionally. The virus trap (13) acts both as a permissions gate and as a decoy, actively allowing no hostile attachments or files to pass without notice, especially the type of virus that is introduced as email attachments. The virus trap (13) is designed to trap executable programs and attachments, it needs no virus detection patterns, and thus requires no late breaking virus recognition information from the virus protection industry.



WO 01/095067 A3

INTERNATIONAL SEARCH REPORT

International application No.

PCT/US01/40910

A. CLASSIFICATION OF SUBJECT MATTER		
IPC(7) : GO6F, 11/30; HO4L, 9/00 US CL : 713/165, 200, 201		
According to International Patent Classification (IPC) or to both national classification and IPC		
B. FIELDS SEARCHED		
Minimum documentation searched (classification system followed by classification symbols) U.S. : 713/165, 200, 201		
Documentation searched other than minimum documentation to the extent that such documents are included in the fields searched		
Electronic data base consulted during the international search (name of data base and, where practicable, search terms used) East and Dialog; search terms: virus or worm or trojan horse or detection device, protecting computer network near\$3 files		
C. DOCUMENTS CONSIDERED TO BE RELEVANT		
Category *	Citation of document, with indication, where appropriate, of the relevant passages	Relevant to claim No.
X	US 5,842,002 A (SCHNURER et al.) 24 November 1998, see col. 6 lines 38-67, col. 7 lines 1-18, and col. 8 lines 26-34.	1-17
---		-----
Y	see col. 6 lines 38-67, col. 7 lines 1-18, and col. 8 lines 26-34.	3,8,14
Y	US 5,684, 875 A (ELLENBERGER) 04 November 1997, see col. 1 lines 63-67, see col. 2 lines 1-63.	3, 8, 14
A	US 5,502,815 A (COZZA) 26 March 1996, see col. 4 lines 30-50.	1, 6, 12
A	US 5,832,208 A (CHEN et al.) 03 November 1998, see col. 5 lines 6-53, col. 7 lines 57-67, and col. 8 lines 6-15.	1-17
<input type="checkbox"/> Further documents are listed in the continuation of Box C. <input type="checkbox"/> See patent family annex.		
* Special categories of cited documents:		
"A" document defining the general state of the art which is not considered to be of particular relevance	"T" later document published after the international filing date or priority date and not in conflict with the application but cited to understand the principle or theory underlying the invention	
"E" earlier application or patent published on or after the international filing date	"X" document of particular relevance; the claimed invention cannot be considered novel or cannot be considered to involve an inventive step when the document is taken alone	
"L" document which may throw doubts on priority claim(s) or which is cited to establish the publication date of another citation or other special reason (as specified)	"Y" document of particular relevance; the claimed invention cannot be considered to involve an inventive step when the document is combined with one or more other such documents, such combination being obvious to a person skilled in the art	
"O" document referring to an oral disclosure, use, exhibition or other means	"&" document member of the same patent family	
"P" document published prior to the international filing date but later than the priority date claimed		
Date of the actual completion of the international search 27 July 2001 (27.07.2001)	Date of mailing of the international search report 06 DEC 2001	
Name and mailing address of the ISA/US Commissioner of Patents and Trademarks Box PCT Washington, D.C. 20231 Facsimile No. (703)305-3230	Authorized officer Gail Hayes <i>James R. Matthews</i> Telephone No. (703) 306-0426	

INTERNATIONAL SEARCH REPORT

International application No.

PCT/US01/40910

Continuation of B. FIELDS SEARCHED Item 3:

East and Dialog; search terms: virus or worm or trojan horse or detection device,
protecting computer network near\$3 files