



US00D720478S

(12) **United States Design Patent**
Zeng et al.

(10) **Patent No.:** **US D720,478 S**

(45) **Date of Patent:** **** Dec. 30, 2014**

(54) **LAMP**

(71) Applicants: **Yichong Zeng**, Chelmsford, MA (US);
Shiyong Zhang, Boxborough, MA (US)

(72) Inventors: **Yichong Zeng**, Chelmsford, MA (US);
Shiyong Zhang, Boxborough, MA (US)

(73) Assignee: **OSRAM SYLVANIA Inc.**, Danvers,
MA (US)

(**) Term: **14 Years**

(21) Appl. No.: **29/451,582**

(22) Filed: **Apr. 4, 2013**

(51) **LOC (10) Cl.** **26-04**

(52) **U.S. Cl.**
USPC **D26/2**

(58) **Field of Classification Search**
USPC D26/1-4; 313/313, 315, 316, 317, 318,
313/493; 315/52, 53, 56, 57, 58
See application file for complete search history.

(56) **References Cited**

U.S. PATENT DOCUMENTS

D508,575 S 8/2005 Buschmann et al.
D544,618 S 6/2007 Coughaine

D610,271 S * 2/2010 Bi D26/2
D616,120 S * 5/2010 Wada et al. D26/2
D617,918 S * 6/2010 Yamamoto et al. D26/2
D631,569 S * 1/2011 Bobel D26/2
D631,571 S * 1/2011 Bobel D26/2

* cited by examiner

Primary Examiner — Marcus Jackson

(74) *Attorney, Agent, or Firm* — Edward S. Podszus

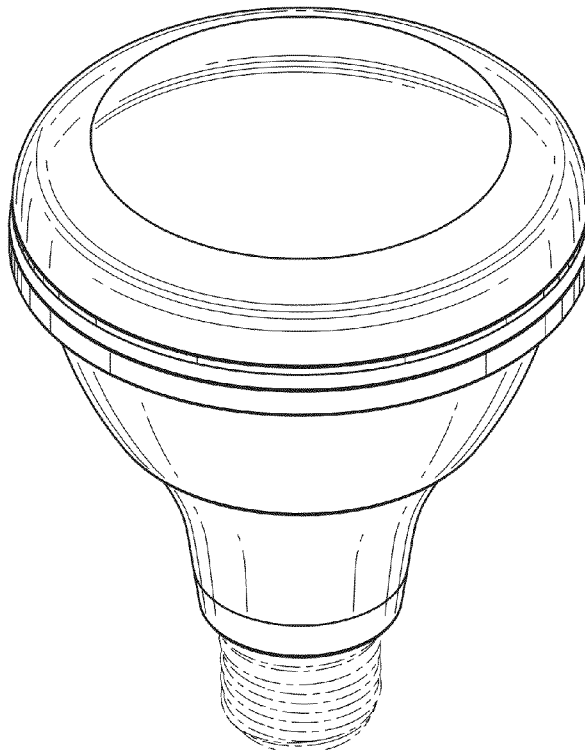
(57) **CLAIM**

The ornamental design for a lamp, as shown and described.

DESCRIPTION

FIG. 1 is a perspective view of the new design for a lamp as seen from the side, top;
FIG. 2 is a side elevational view thereof;
FIG. 3 is a top plan view thereof; and
FIG. 4 is a bottom plan view thereof.
FIG. 5 is a perspective view of the second embodiment of the new design for a lamp as seen from the side, top;
FIG. 6 is a side elevational view of the second embodiment;
FIG. 7 is a top plan view of the second embodiment; and,
FIG. 8 is a rear plan view of the second embodiment.
The broken line disclosure is for environmental purposes only and does not form a part of the claimed design.

1 Claim, 8 Drawing Sheets



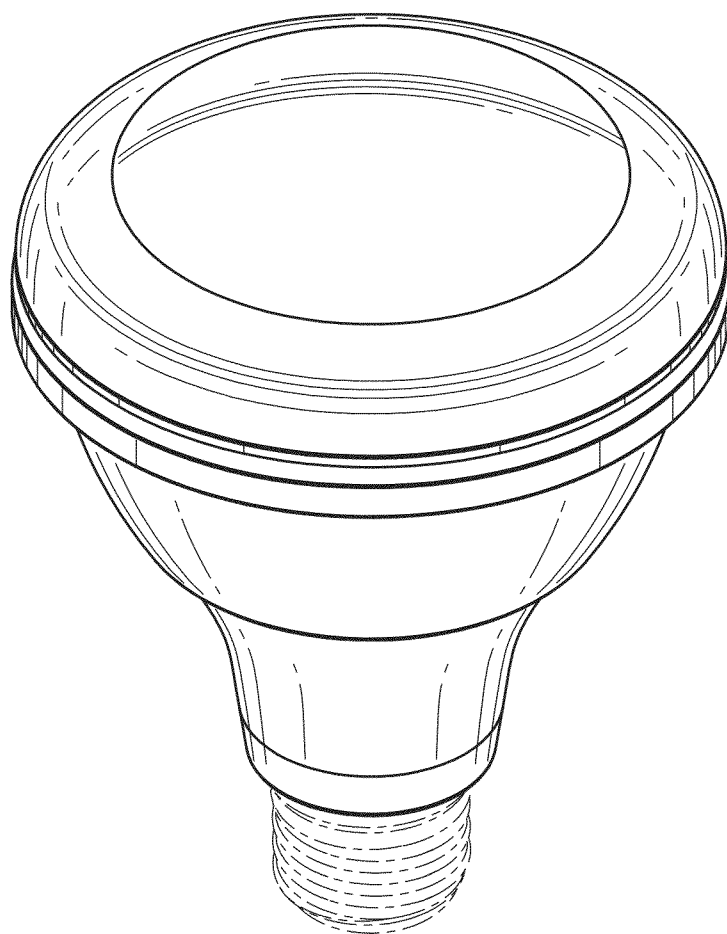


FIG. 1

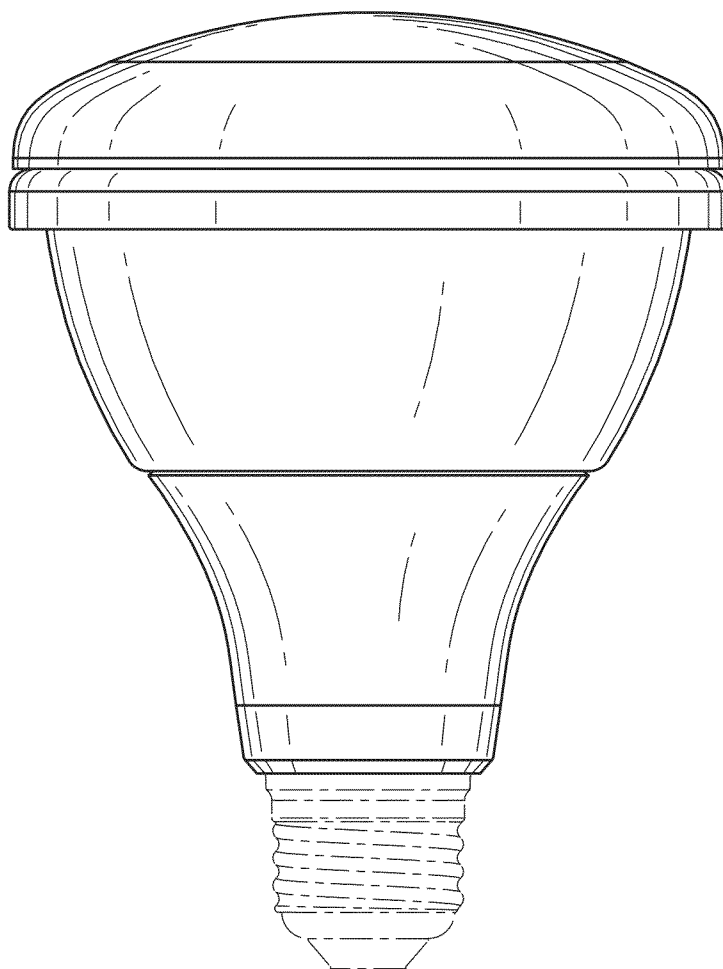


FIG. 2

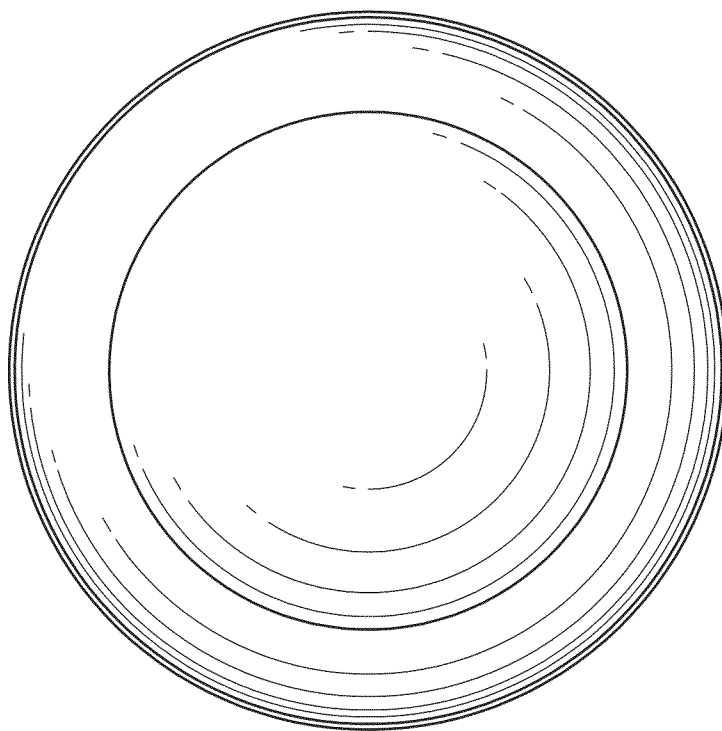


FIG. 3

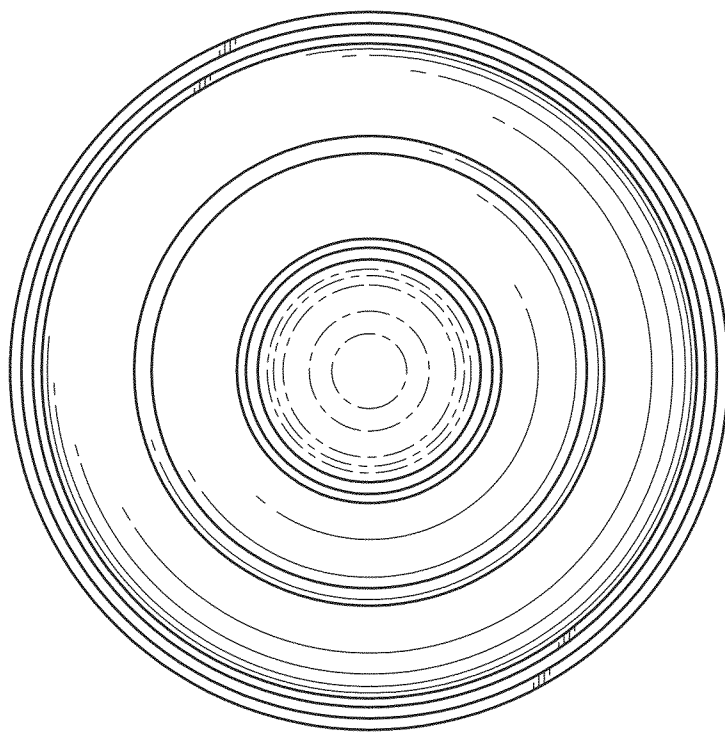


FIG. 4

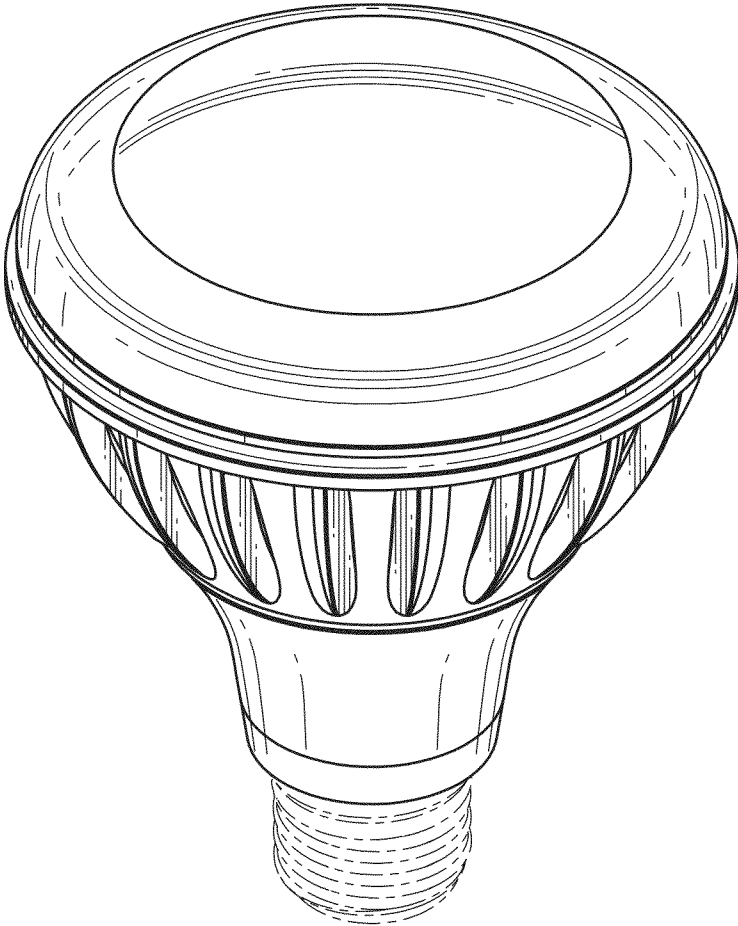


FIG. 5

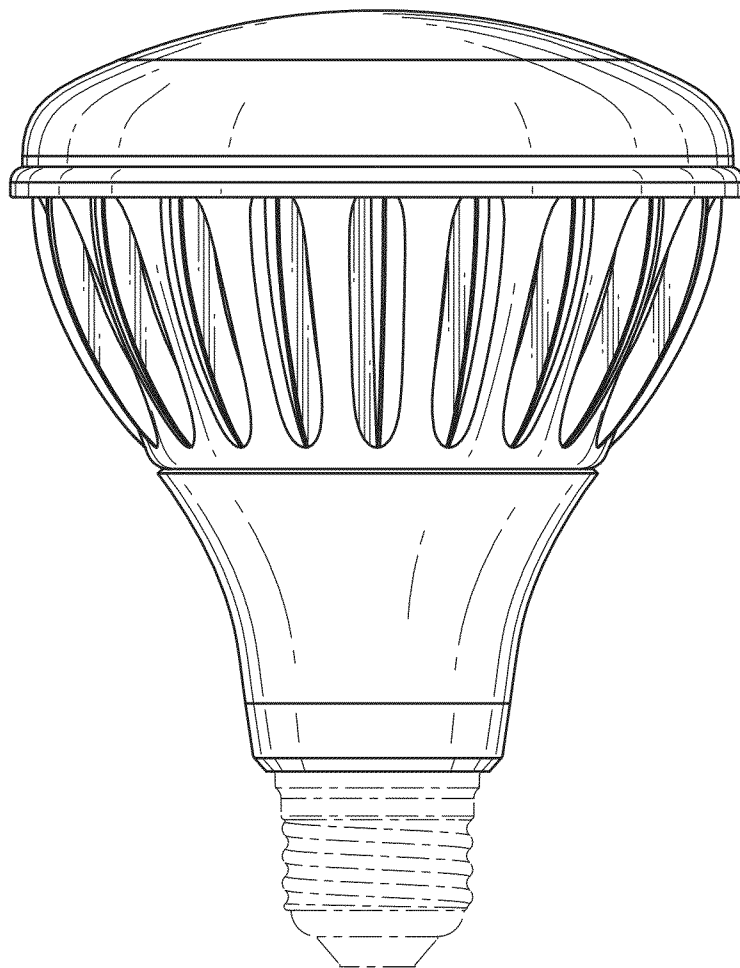


FIG. 6

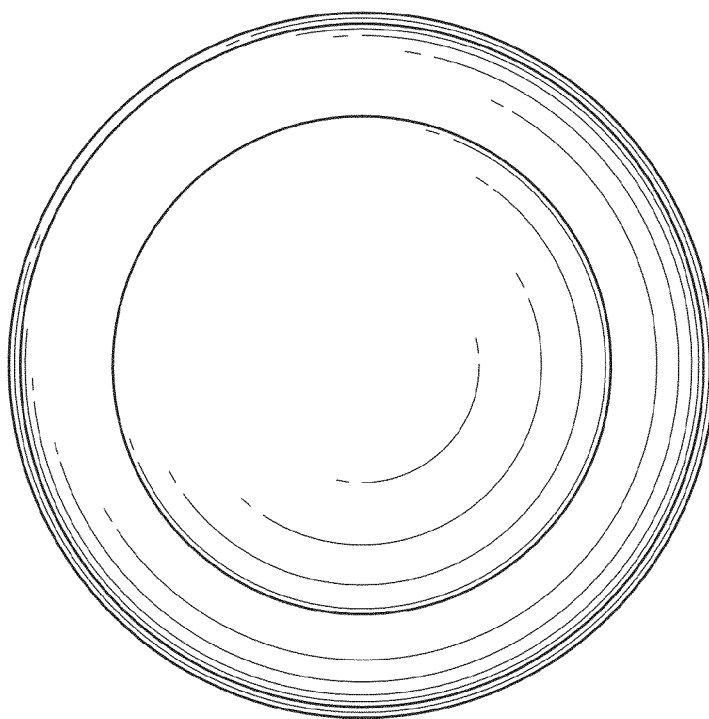


FIG. 7

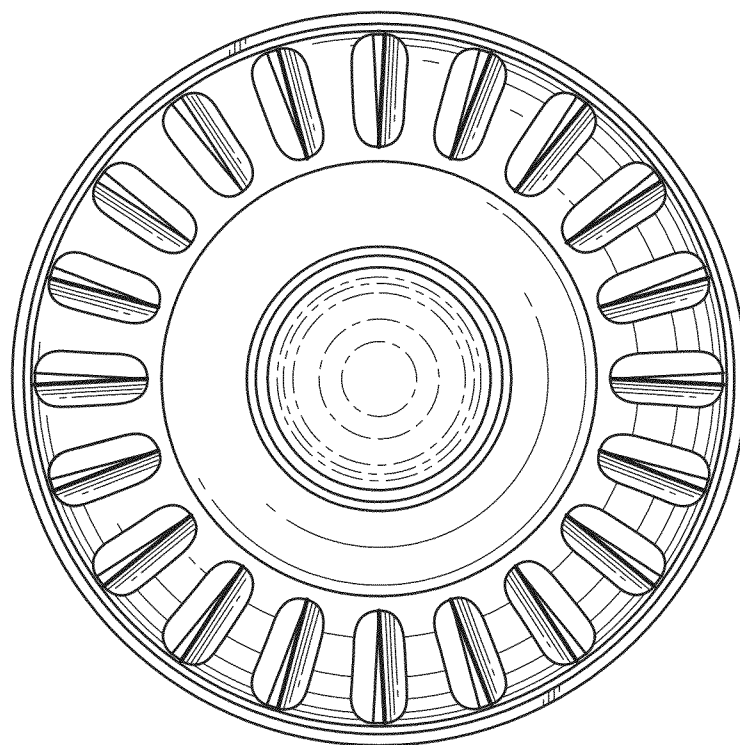


FIG. 8