

(19) World Intellectual Property Organization
International Bureau



(43) International Publication Date
25 October 2001 (25.10.2001)

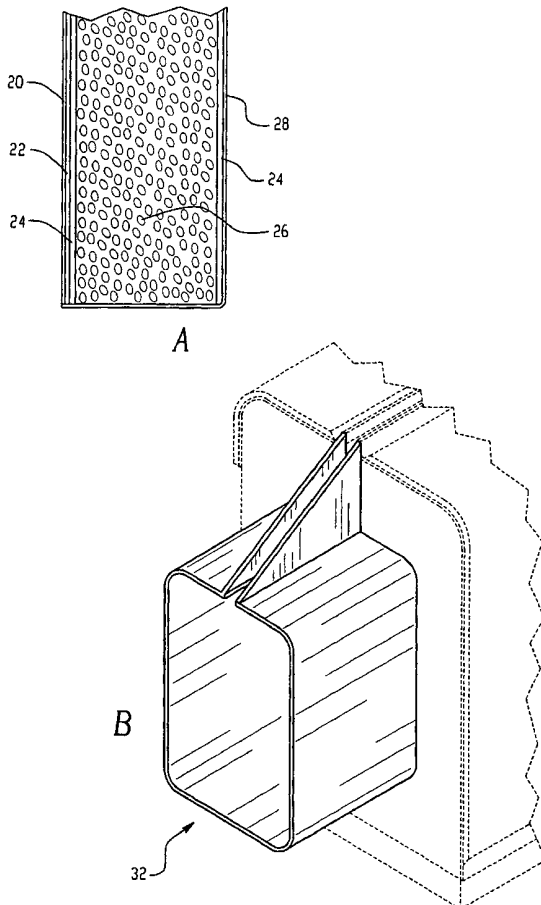
PCT

(10) International Publication Number
WO 01/78905 A3

- (51) International Patent Classification⁷: B05B 15/12, 5/08
- (21) International Application Number: PCT/US01/40524
- (22) International Filing Date: 13 April 2001 (13.04.2001)
- (25) Filing Language: English
- (26) Publication Language: English
- (30) Priority Data:
09/550,353 14 April 2000 (14.04.2000) US
- (71) Applicant (for all designated States except US): NORDSON CORPORATION [US/US]; 28601 Clemens Road, Westlake, OH 44145-1119 (US).
- (72) Inventor; and
- (75) Inventor/Applicant (for US only): SHUTIC, Jeffrey, R. [US/US]; 11809 Clary Road, Wakeman, OH 44889 (US).
- (74) Agent: GUTT, Ronald, D.; Calfee Halter & Griswold LLP, Suite 1400, 800 Superior Avenue, Cleveland, OH 44114 (US).
- (81) Designated States (national): AE, AG, AL, AM, AT, AU, AZ, BA, BB, BG, BR, BY, BZ, CA, CH, CN, CR, CU, CZ, DE, DK, DM, DZ, EE, ES, FI, GB, GD, GE, GH, GM, HR, HU, ID, IL, IN, IS, JP, KE, KG, KP, KR, KZ, LC, LK, LR, LS, LT, LU, LV, MA, MD, MG, MK, MN, MW, MX, MZ, NO, NZ, PL, PT, RO, RU, SD, SE, SG, SI, SK, SL, TJ, TM, TR, TT, TZ, UA, UG, US, UZ, VN, YU, ZA, ZW.
- (84) Designated States (regional): ARIPO patent (GH, GM, KE, LS, MW, MZ, SD, SL, SZ, TZ, UG, ZW), Eurasian patent (AM, AZ, BY, KG, KZ, MD, RU, TJ, TM), European patent (AT, BE, CH, CY, DE, DK, ES, FI, FR, GB, GR, IE, IT, LU, MC, NL, PT, SE, TR), OAPI patent (BF, BJ, CF, CG, CI, CM, GA, GN, GW, ML, MR, NE, SN, TD, TG).

[Continued on next page]

(54) Title: POWDER COATING BOOTH CONTAINMENT STRUCTURE



(57) Abstract: A powder coating booth (10) containment structure including first and second canopy halves (12, 14), each of which is a substantially nonconductive, seamless, structural composite to substantially reduce oversprayed powder particle adhesion to the booth inner surfaces. The composite canopy halves, when assembled into a spray booth additionally including either a floor or a utility base and one or a pair of end units in the form of aperture bulkheads, vestibules, or a combination of both, are structurally sufficiently strong that no external support frame is required. The composite canopy halves can each include side wall (16) and ceiling portions (18), in an embodiment, that can be connected to a floor. In another embodiment, the canopy halves each additionally include a floor portion such that they may be connected together at a floor edge and placed atop a utility base. They may be connected to the utility base. In another embodiment, the canopy halves may each further include an integral end or ends, comprising aperture bulkhead or vestibule-type end portions. Methods of assembling these embodiments are also provided that require less time than for known powder coating spray booth assembly.



WO 01/78905 A3



Published:

- with international search report
- before the expiration of the time limit for amending the claims and to be republished in the event of receipt of amendments

For two-letter codes and other abbreviations, refer to the "Guidance Notes on Codes and Abbreviations" appearing at the beginning of each regular issue of the PCT Gazette.

(88) Date of publication of the international search report:

11 April 2002

INTERNATIONAL SEARCH REPORT

International Application No

PCT/US 01/40524

A. CLASSIFICATION OF SUBJECT MATTER
 IPC 7 B05B15/12 B05B5/08

According to International Patent Classification (IPC) or to both national classification and IPC

B. FIELDS SEARCHED

Minimum documentation searched (classification system followed by classification symbols)

IPC 7 B05B

Documentation searched other than minimum documentation to the extent that such documents are included in the fields searched

Electronic data base consulted during the international search (name of data base and, where practical, search terms used)

EPO-Internal

C. DOCUMENTS CONSIDERED TO BE RELEVANT

Category °	Citation of document, with indication, where appropriate, of the relevant passages	Relevant to claim No.
A	FR 2 683 747 A (AZOULAY FELIX) 21 May 1993 (1993-05-21) page 5, line 30 -page 6, line 24 ---	1
A	US 5 277 713 A (GELAIN SILVANO ET AL) 11 January 1994 (1994-01-11) column 2, line 33 -column 3, line 15 ---	1
A	US 3 824 912 A (JENSEN F ET AL) 23 July 1974 (1974-07-23) column 6, line 9 - line 27 ---	1
A	EP 0 402 604 A (GEMA RANSBURG AG) 19 December 1990 (1990-12-19) page 4, line 34 - line 45 -----	1

Further documents are listed in the continuation of box C.

Patent family members are listed in annex.

° Special categories of cited documents :

"A" document defining the general state of the art which is not considered to be of particular relevance

"E" earlier document but published on or after the international filing date

"L" document which may throw doubts on priority claim(s) or which is cited to establish the publication date of another citation or other special reason (as specified)

"O" document referring to an oral disclosure, use, exhibition or other means

"P" document published prior to the international filing date but later than the priority date claimed

"T" later document published after the international filing date or priority date and not in conflict with the application but cited to understand the principle or theory underlying the invention

"X" document of particular relevance; the claimed invention cannot be considered novel or cannot be considered to involve an inventive step when the document is taken alone

"Y" document of particular relevance; the claimed invention cannot be considered to involve an inventive step when the document is combined with one or more other such documents, such combination being obvious to a person skilled in the art.

"&" document member of the same patent family

Date of the actual completion of the international search

23 October 2001

Date of mailing of the international search report

29

Name and mailing address of the ISA

European Patent Office, P.B. 5818 Patentlaan 2
 NL - 2280 HV Rijswijk
 Tel. (+31-70) 340-2040, Tx. 31 651 epo nl,
 Fax: (+31-70) 340-3016

Authorized officer

JUGUET J.M.

INTERNATIONAL SEARCH REPORT

International application No.
PCT/US 01/40524

Box I Observations where certain claims were found unsearchable (Continuation of item 1 of first sheet)

This International Search Report has not been established in respect of certain claims under Article 17(2)(a) for the following reasons:

1. Claims Nos.:
because they relate to subject matter not required to be searched by this Authority, namely:

2. Claims Nos.:
because they relate to parts of the International Application that do not comply with the prescribed requirements to such an extent that no meaningful International Search can be carried out, specifically:

3. Claims Nos.:
because they are dependent claims and are not drafted in accordance with the second and third sentences of Rule 6.4(a).

Box II Observations where unity of invention is lacking (Continuation of item 2 of first sheet)

This International Searching Authority found multiple inventions in this international application, as follows:

see additional sheet

1. As all required additional search fees were timely paid by the applicant, this International Search Report covers all searchable claims.

2. As all searchable claims could be searched without effort justifying an additional fee, this Authority did not invite payment of any additional fee.

3. As only some of the required additional search fees were timely paid by the applicant, this International Search Report covers only those claims for which fees were paid, specifically claims Nos.:

4. No required additional search fees were timely paid by the applicant. Consequently, this International Search Report is restricted to the invention first mentioned in the claims; it is covered by claims Nos.:

1-28, ,41-51

Remark on Protest

- The additional search fees were accompanied by the applicant's protest.
- No protest accompanied the payment of additional search fees.

FURTHER INFORMATION CONTINUED FROM PCT/ISA/ 210

This International Searching Authority found multiple (groups of) inventions in this international application, as follows:

1. Claims: 1-28 41-51

powder coating containment structure made of a core between two glass fabrics. A resin is binding this three layers

2. Claims: 29-40

Powder spray booth and its method of assembling. The booth is made of two canopy halves

INTERNATIONAL SEARCH REPORT

Information on patent family members

International Application No

PCT/US 01/40524

Patent document cited in search report		Publication date	Patent family member(s)	Publication date
FR 2683747	A	21-05-1993	FR 2683747 A1	21-05-1993

US 5277713	A	11-01-1994	DE 4134702 A1	22-04-1993
			CA 2080855 A1	22-04-1993
			EP 0538558 A1	28-04-1993
			JP 2519003 B2	31-07-1996
			JP 6099110 A	12-04-1994

US 3824912	A	23-07-1974	AU 465904 B	09-10-1975
			AU 6310073 A	05-06-1975
			CA 967354 A1	13-05-1975
			JP 856702 C	28-04-1977
			JP 49103936 A	02-10-1974
			JP 51032645 B	14-09-1976

EP 0402604	A	19-12-1990	DE 3919614 A1	20-12-1990
			EP 0402604 A2	19-12-1990
