

(12) **UK Patent Application** (19) **GB** (11) **2 411 700** (13) **A**

(43) Date of Printing by UK Office **07.09.2005**

(21) Application No: **0510757.8**

(22) Date of Filing: **26.11.2003**

(30) Priority Data:
(31) **0227514** (32) **26.11.2002** (33) **GB**

(86) International Application Data:
PCT/GB2003/005146 En 26.11.2003

(87) International Publication Data:
WO2004/047997 En 10.06.2004

(71) Applicant(s):
Tippetts Fountains Limited
(Incorporated in the United Kingdom)
Barncroft, Vicarage Lane, Dore,
SHEFFIELD, S17 3GX, United Kingdom

(72) Inventor(s):
John Tippetts

(continued on next page)

(51) INT CL⁷:
B05B 1/08 // B05B 1/34 17/08 , F15C 1/14 1/16

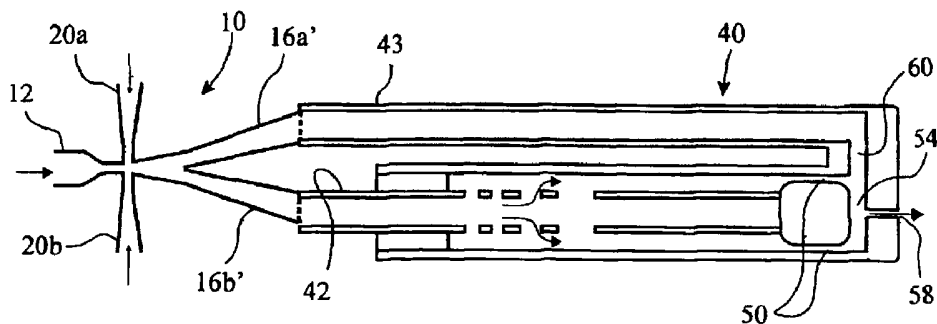
(52) UK CL (Edition X):
F1X X1
F1P P20
G1R RBC RK

(56) Documents Cited by ISA:
GB 1318992 A **DE 020210103 U**
DE 004439437 A **FR 002392596 A**
FR 002384142 A **FR 002222856 A**
US 5749518 A **US 5722599 A**
US 4978066 A **US 4955547 A**
US 3776460 A **US 3760828 A**
US 3717164 A **US 3605778 A**
US 3595479 A **US 3529616 A**
US 3267946 A **US 3228410 A**
US 2701738 A

(58) Field of Search by ISA:
INT CL⁷ **A01G, B05B, B05C, F15C, G01P**
Other: **EPO-Internal**

(54) Abstract Title: **Display fountain, system, array and wind detector**

(57) A fountain (50) comprises a supply of water under pressure, a primary fluidic diverter (10) having an input (12) for said supply, and first and second outputs (16a, b) diverging from said input. Two control ports (20a, b) are provided with control flow to direct input flow to one or other of the two outputs that lead to the two inputs of a vortex amplifier (40). This comprises a vortex chamber (54), a radial port (50), a vortex inducing port (60) and an axial output port (58). One (16a) of the diverter outputs is connected to the vortex inducing port, the other (16b) to the radial port, so that supply to said axial output port is modulated by formation of a vortex in the chamber when flow is to the vortex inducing port. The axial port leads to a nozzle whereby a vortex spray or axial jet is produced, depending on which diverter output (16a, b) is active.



GB 2411700 A continuation

(74) Agent and/or Address for Service:
Harrison Goddard Foote
Fountain Precinct, Balm Green,
SHEFFIELD, S1 2JA, United Kingdom