



US00D717147S

(12) **United States Design Patent**
Rubin et al.

(10) **Patent No.:** **US D717,147 S**

(45) **Date of Patent:** **** Nov. 11, 2014**

- (54) **FASTENING TOOL**
- (71) Applicant: **Arrow Fastener Co., LLC**, Saddle Brook, NJ (US)
- (72) Inventors: **David Rubin**, Springfield, NJ (US); **Daniel Genord**, South Lyon, MI (US); **Grey Parker**, West Bloomfield, MI (US)
- (73) Assignee: **Arrow Fastener Co., LLC**, Saddle Brook, NJ (US)
- (**) Term: **14 Years**

D319,762 S	9/1991	Chi	
5,107,390 A	4/1992	Goldner	
5,165,587 A	11/1992	Marks	
D333,601 S *	3/1993	Wingert	D8/49
5,328,075 A	7/1994	Marks	
5,335,839 A	8/1994	Fealey	
5,407,118 A	4/1995	Marks	
D360,119 S	7/1995	Fealey	
D360,566 S	7/1995	Marks et al.	
5,497,932 A	3/1996	Brewer et al.	
5,511,716 A	4/1996	Marks	
5,622,258 A	4/1997	Baublitz et al.	
D384,257 S	9/1997	Marks et al.	
D384,258 S	9/1997	Marks et al.	
5,664,722 A	9/1997	Marks	

(Continued)

(21) Appl. No.: **29/488,644**

(22) Filed: **Apr. 22, 2014**

(51) **LOC (10) Cl.** **19-02**

(52) **U.S. Cl.**
USPC **D8/49**

(58) **Field of Classification Search**
 CPC B25C 5/0242; B25C 5/0285; B25C 5/11; B27F 5/17; B26F 1/36
 USPC D8/48, 49, 50, 61, 68, 69, 70; D19/72, D19/73, 65, 69; D21/532; D24/145; 7/158, 7/160; 227/4, 5, 6, 7, 8, 120, 127, 128, 227/131, 132, 134, 144, 156, 175.1; 606/139, 143, 153, 219
 See application file for complete search history.

(56) **References Cited**

U.S. PATENT DOCUMENTS

3,199,185 A	8/1965	Lash et al.	
3,913,817 A	10/1975	Barrett et al.	
4,119,258 A	10/1978	Ewig, Jr.	
4,450,998 A	5/1984	Ruskin	
4,629,108 A *	12/1986	Judge	227/132
4,706,869 A	11/1987	Knispel et al.	
D297,205 S *	8/1988	Wang	D8/49
D308,323 S *	6/1990	Wingert	D8/49

OTHER PUBLICATIONS

U.S. Appl. No. 29/489,711, entitled "Fastening Tool" filed May 2, 2014, 5 pages.

(Continued)

Primary Examiner — Austin Murphy
(74) *Attorney, Agent, or Firm* — Lora J. Graentzdoerffer

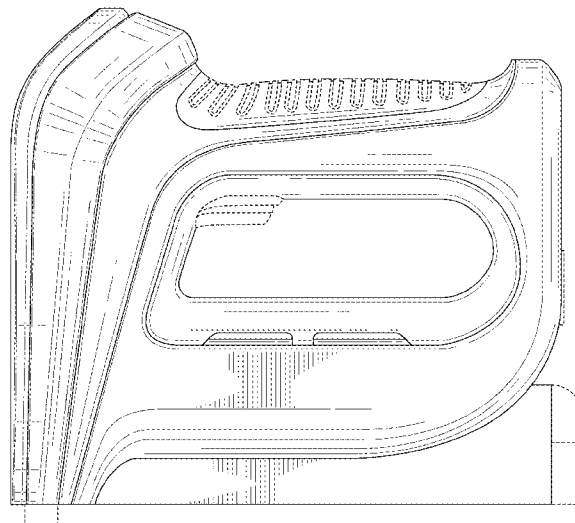
(57) **CLAIM**

The ornamental design for a fastening tool, as shown and described.

DESCRIPTION

FIG. 1 is a perspective view thereof;
 FIG. 2 is a left side elevational view; wherein the right side is a mirror image thereof;
 FIG. 3 is a front elevational view thereof;
 FIG. 4 is a top plan view thereof; and,
 FIG. 5 is a bottom plan view thereof.
 The broken-line disclosure in the views represents portions of the article in which the claimed design is embodied, but which form no part of the claimed design.

1 Claim, 5 Drawing Sheets



(56)

References Cited

U.S. PATENT DOCUMENTS

5,699,949 A 12/1997 Marks
 5,735,444 A 4/1998 Wingert
 5,765,742 A 6/1998 Marks
 5,816,470 A 10/1998 Plato et al.
 D401,487 S * 11/1998 Price D8/49
 5,884,829 A 3/1999 Wingert
 D411,422 S 6/1999 Juhlin et al.
 D415,668 S 10/1999 Elie
 5,988,478 A 11/1999 Marks
 D432,883 S 10/2000 Wingert
 6,131,788 A 10/2000 Marks
 6,145,728 A 11/2000 Marks
 6,173,877 B1 1/2001 Wingert
 D454,289 S 3/2002 Huang
 6,355,892 B1 3/2002 Marks
 6,367,676 B1 * 4/2002 Opland et al. 227/123
 D466,773 S 12/2002 Lin
 6,789,719 B2 9/2004 Shor
 D513,159 S * 12/2005 Marks et al. D8/50
 D517,385 S 3/2006 Ams
 D518,695 S 4/2006 Hu
 7,097,088 B2 8/2006 Shor
 D531,469 S 11/2006 Osberg et al.
 D534,402 S 1/2007 Murray
 D552,951 S 10/2007 Shor
 D553,459 S 10/2007 Shor
 D553,460 S 10/2007 Shor
 D560,987 S 2/2008 Krushlin et al.
 D561,550 S 2/2008 Krushlin et al.
 7,344,023 B2 3/2008 Painsith et al.
 D568,129 S 5/2008 Ams
 D568,130 S 5/2008 Ams
 D573,089 S 7/2008 Mandel et al.
 D574,205 S 8/2008 Krushlin et al.
 D576,545 S 9/2008 Mandel et al.
 D578,365 S 10/2008 Mandel et al.
 D580,246 S 11/2008 Mandel et al.

7,464,844 B2 12/2008 Kamins et al.
 7,464,845 B2 * 12/2008 Chou 227/132
 7,503,400 B2 3/2009 Llewellyn
 7,506,789 B2 3/2009 Shor
 D600,085 S 9/2009 Mandel et al.
 D600,986 S 9/2009 Betsalel et al.
 D604,576 S 11/2009 Betsalel et al.
 7,637,407 B2 12/2009 Shor
 7,665,644 B2 * 2/2010 Hu 227/132
 7,699,202 B2 4/2010 Shor
 D620,330 S 7/2010 Krumpe et al.
 D620,331 S 7/2010 Krumpe et al.
 7,815,089 B2 10/2010 Shor
 D630,071 S 1/2011 Krumpe et al.
 D630,072 S 1/2011 Krumpe et al.
 D630,073 S 1/2011 Krumpe et al.
 D631,316 S 1/2011 Krumpe et al.
 D631,317 S 1/2011 Krumpe et al.
 D631,318 S 1/2011 Krumpe et al.
 8,104,659 B2 * 1/2012 St. John et al. 227/142
 8,118,205 B2 * 2/2012 Popowich 227/132
 D655,587 S 3/2012 Walters et al.
 D655,588 S 3/2012 Pennington et al.
 8,240,535 B2 8/2012 Shor
 8,251,273 B2 8/2012 Shor
 D667,712 S * 9/2012 Walters D8/49
 D668,125 S * 10/2012 Pennington et al. D8/49
 8,413,865 B2 4/2013 Mandel et al.
 8,496,151 B2 7/2013 Shor
 D689,753 S 9/2013 Yoo et al.
 8,561,868 B2 10/2013 Shor
 2013/0228608 A1 9/2013 Sokol et al.
 2013/0292446 A1 11/2013 Choy

OTHER PUBLICATIONS

U.S. Appl. No. 29/489,710, entitled "Fastening Tool" filed May 2, 2014, 5 pages.
 U.S. Appl. No. 29/488,648, entitled "Fastening Tool" filed Apr. 22, 2014, 6 pages.

* cited by examiner

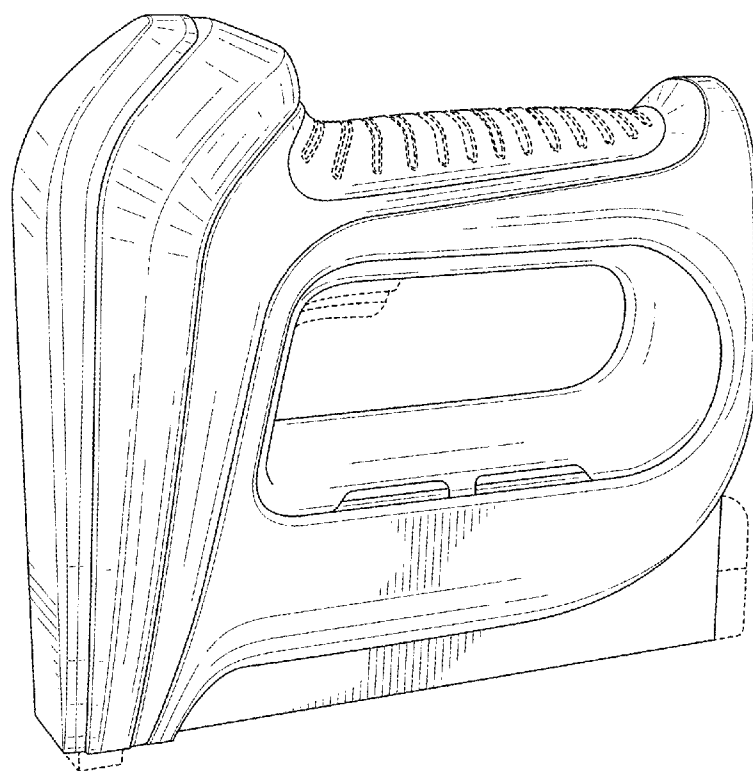


FIG. 1

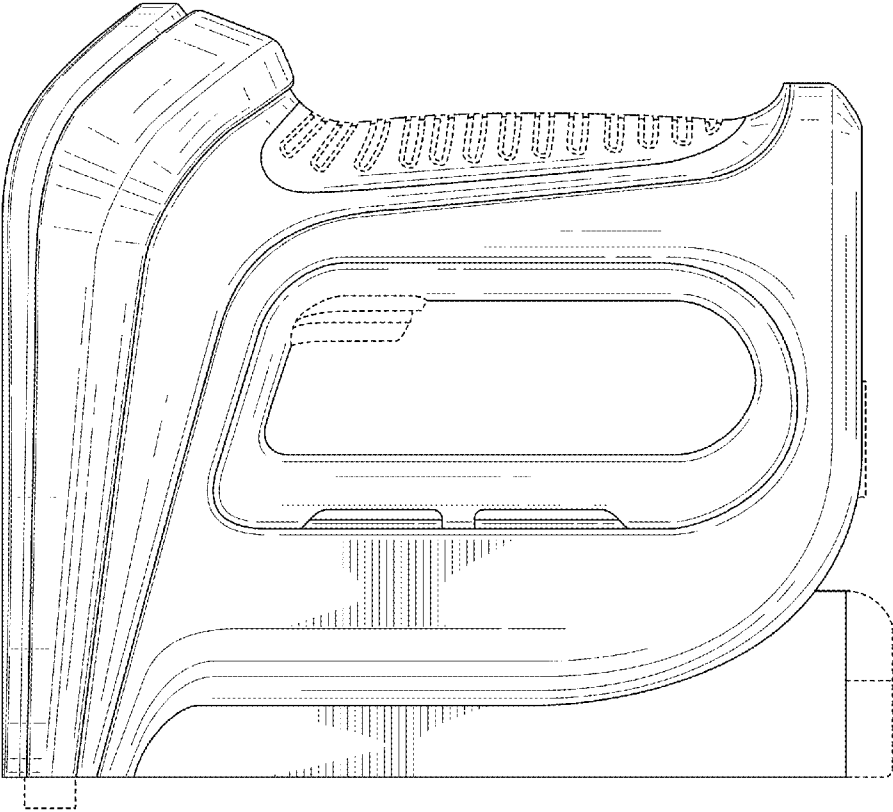


FIG. 2

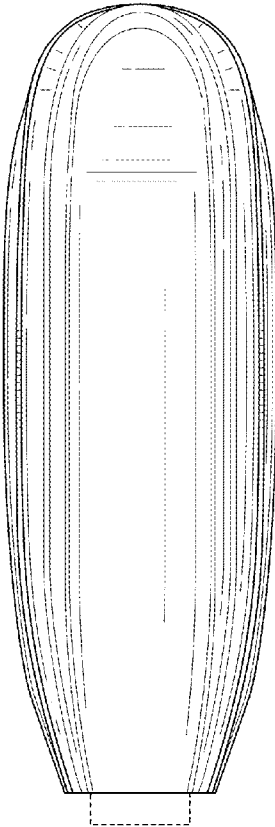


FIG. 3

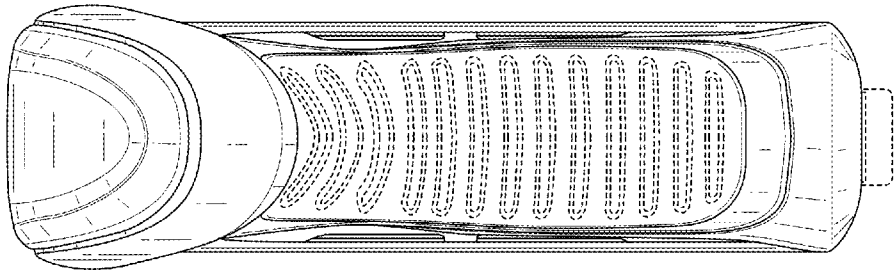


FIG. 4

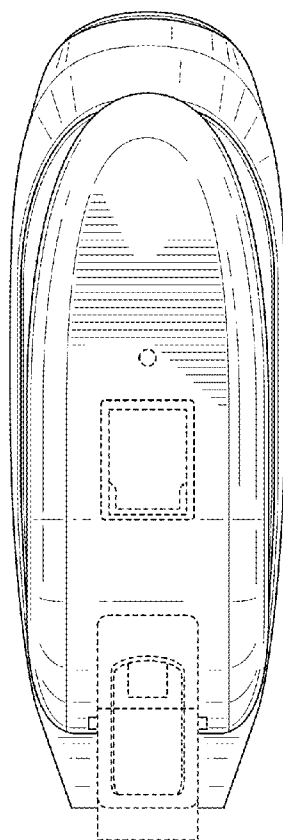


FIG. 5