



US00D672591S

(12) **United States Design Patent**  
**Soller et al.**

(10) **Patent No.:** **US D672,591 S**

(45) **Date of Patent:** **\*\* Dec. 18, 2012**

(54) **HOLDER FOR A CLEANING IMPLEMENT**

(75) Inventors: **Douglas A. Soller**, Racine, WI (US);  
**Ann Marie Przepasniak**, Sturtevant, WI  
(US); **Peter M. Neumann**, Racine, WI  
(US); **Eric S. Schwartz**, Grayslake, IL  
(US); **Christopher Peterson**, Chippewa  
Falls, WI (US); **Aaron J. Munsinger**,  
Elk Mound, WI (US)

(73) Assignee: **S.C. Johnson & Son, Inc.**, Racine, WI  
(US)

(\*\*) Term: **14 Years**

(21) Appl. No.: **29/418,687**

(22) Filed: **Apr. 19, 2012**

**Related U.S. Application Data**

(62) Division of application No. 29/398,011, filed on Jul.  
25, 2011, now Pat. No. Des. 660,630.

(51) **LOC (9) Cl.** ..... **23-02**

(52) **U.S. Cl.** ..... **D6/524**

(58) **Field of Classification Search** ..... D6/524,  
D6/525, 527, 551; D34/1, 7, 10, 11; 220/908,  
220/908.1, 909, 910, 911; 206/207, 349,  
206/361; 312/206, 207; 4/255.05, 255.11  
See application file for complete search history.

(56) **References Cited**

**U.S. PATENT DOCUMENTS**

- D272,874 S 3/1984 Cohen
- D297,292 S 8/1988 Plymale
- D298,712 S 11/1988 Mattei
- D329,561 S 9/1992 Nyorkor
- D413,419 S 8/1999 Arbak et al.
- D414,064 S 9/1999 Shafik

- D421,169 S 2/2000 Denmore et al.
- D450,964 S 11/2001 Johnson
- D471,393 S 3/2003 Hutchinson
- D477,483 S 7/2003 Brown et al.
- D482,920 S 12/2003 Libman et al.
- D483,164 S 12/2003 Lin
- D484,292 S 12/2003 Lin
- D488,902 S 4/2004 Yang et al.
- D491,404 S \* 6/2004 Dotterman et al. .... D6/551
- D493,590 S 7/2004 Chen
- D493,994 S 8/2004 Belt et al.
- D495,182 S 8/2004 Vitantonio et al.
- D500,223 S 12/2004 Libman et al.
- D501,347 S 2/2005 Conway et al.
- D525,467 S \* 7/2006 Michelson et al. .... D6/524
- D528,333 S 9/2006 Wildauer et al.
- D547,987 S 8/2007 Yang et al.
- D566,922 S 4/2008 Lee

(Continued)

*Primary Examiner* — Brian N Vinson

(57) **CLAIM**

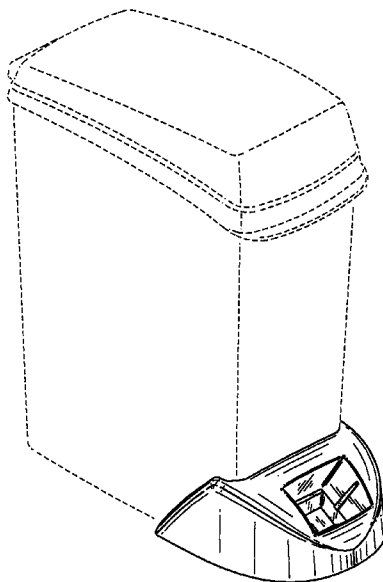
The ornamental design for a holder for a cleaning implement, as shown and described.

**DESCRIPTION**

FIG. 1 is a top, left, front perspective view of a holder for a cleaning implement showing our new design; FIG. 2 is a top, right, rear perspective view thereof; FIG. 3 is a front elevational view thereof; FIG. 4 is a left side elevational view thereof, the right side elevational view being a mirror image of the left side shown; FIG. 5 is a rear elevational view thereof; FIG. 6 is a top plan view thereof; and, FIG. 7 is a bottom plan view thereof.

The broken-line disclosure in the views is understood to represent portions of the article in which the claimed design is embodied, but which form no part of the claimed design.

**1 Claim, 6 Drawing Sheets**



# US D672,591 S

Page 2

---

## U.S. PATENT DOCUMENTS

D575,086 S *	8/2008	Savran .....	D6/524	D629,635 S	12/2010	Raven	
D578,266 S *	10/2008	Yang et al. ....	D34/7	D636,960 S *	4/2011	Duvigneau .....	D34/7
D589,734 S	4/2009	Weis et al.		D644,390 S *	8/2011	Smeets et al. ....	D34/7
D596,820 S *	7/2009	Yang et al. ....	D34/10	D652,189 S *	1/2012	Morand .....	D34/7
D603,119 S *	10/2009	Yang et al. ....	D34/7				

\* cited by examiner

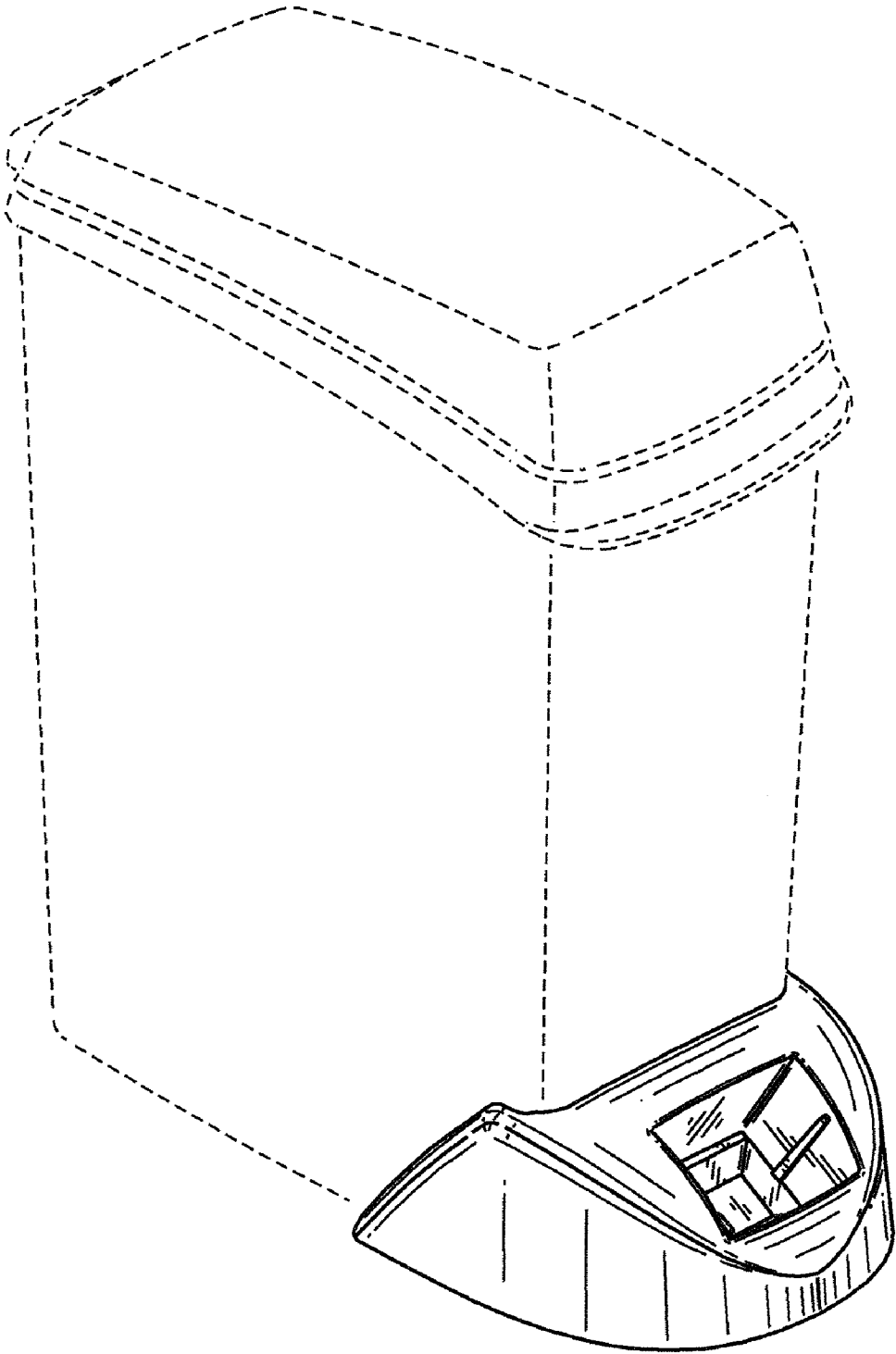


FIG. 1

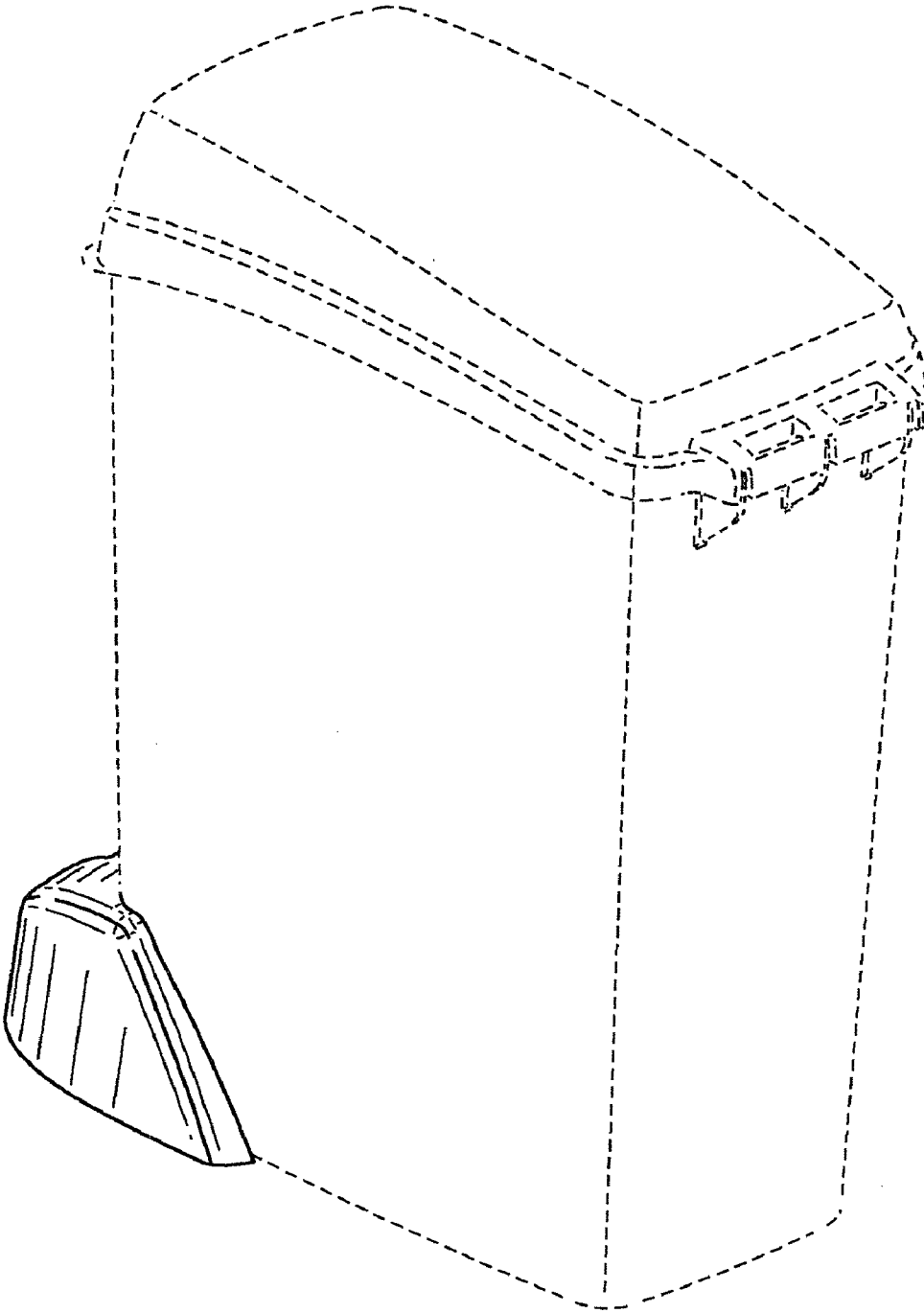


FIG. 2

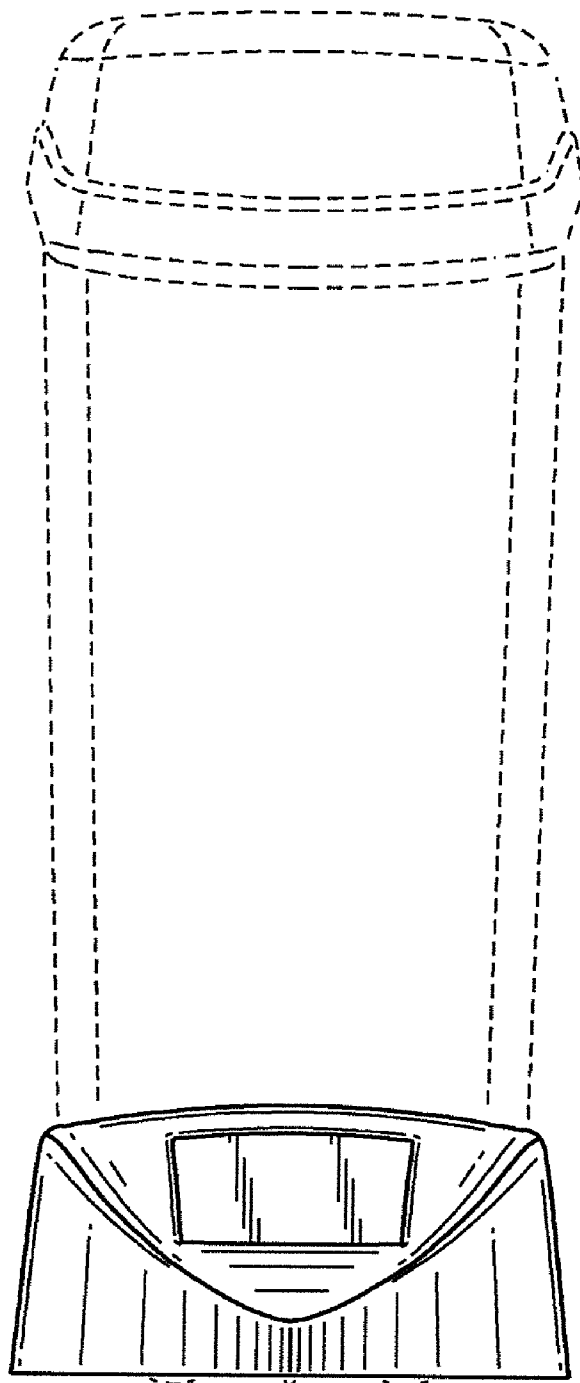


FIG. 3

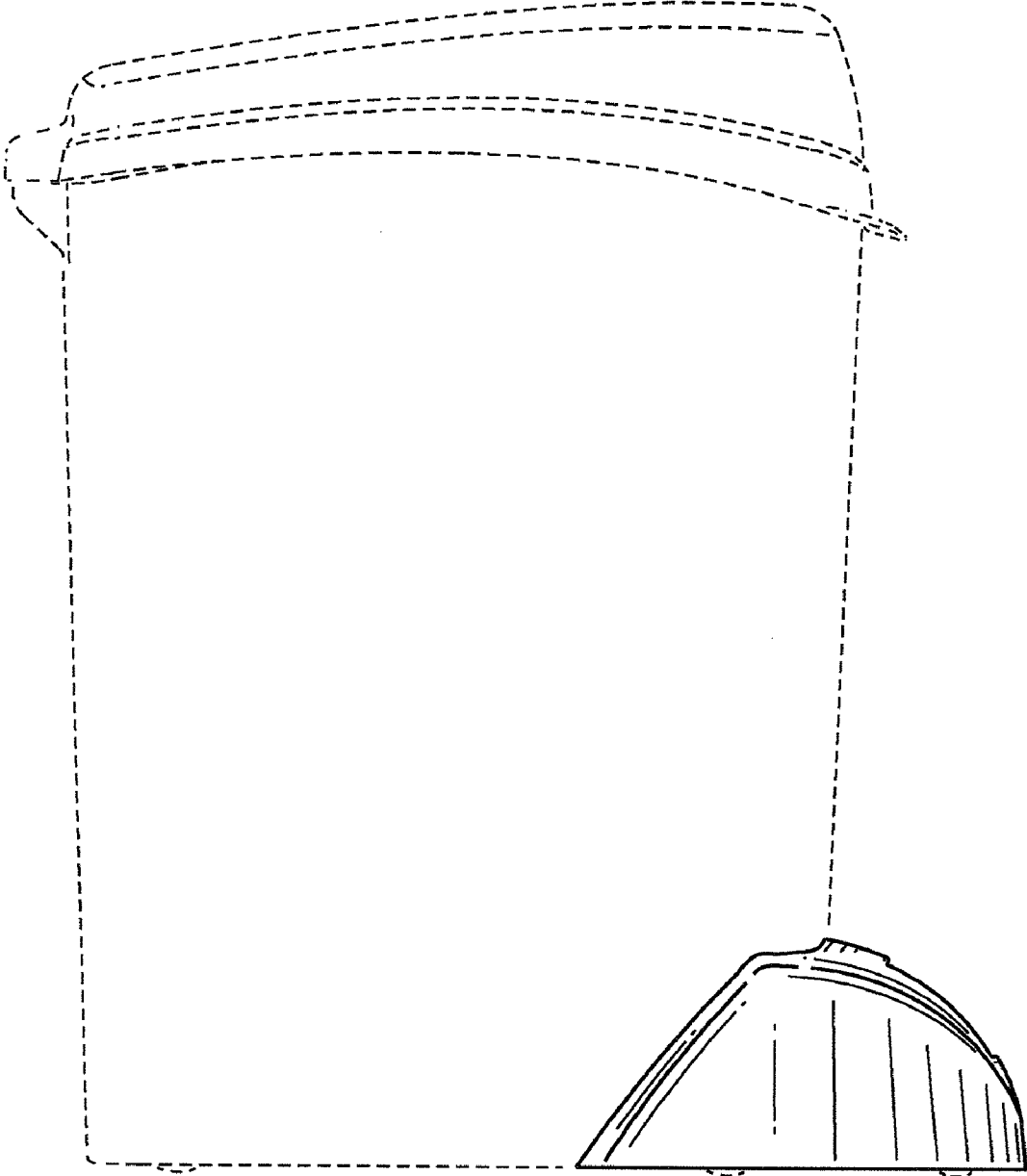


FIG. 4

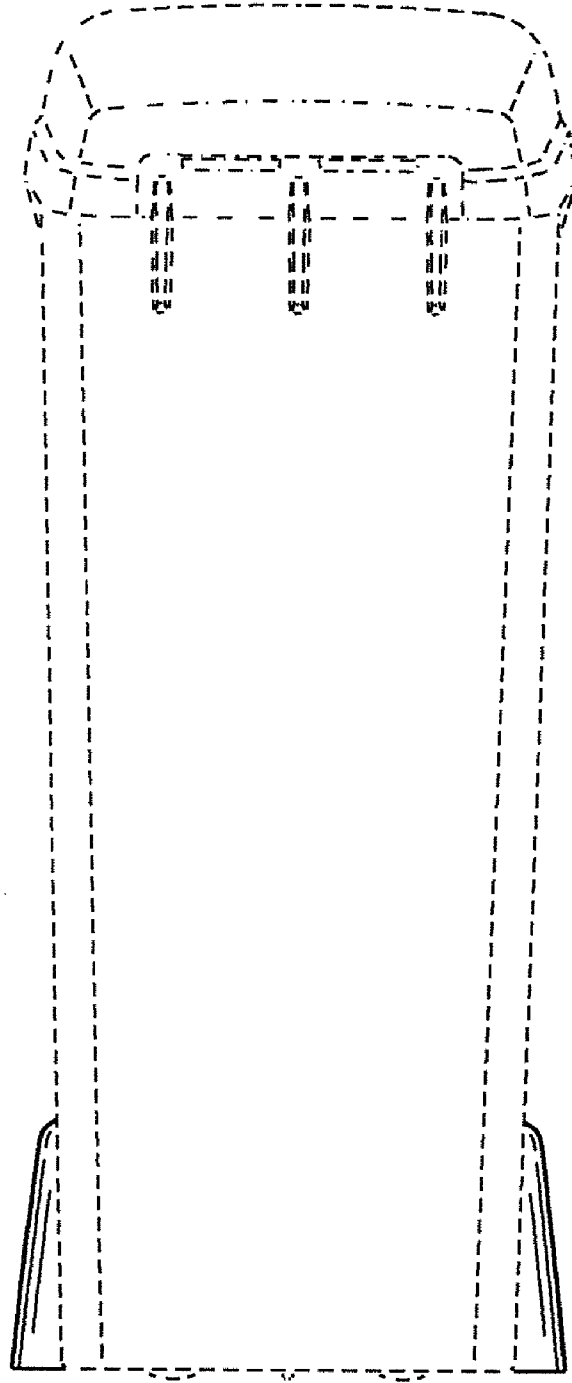


FIG. 5

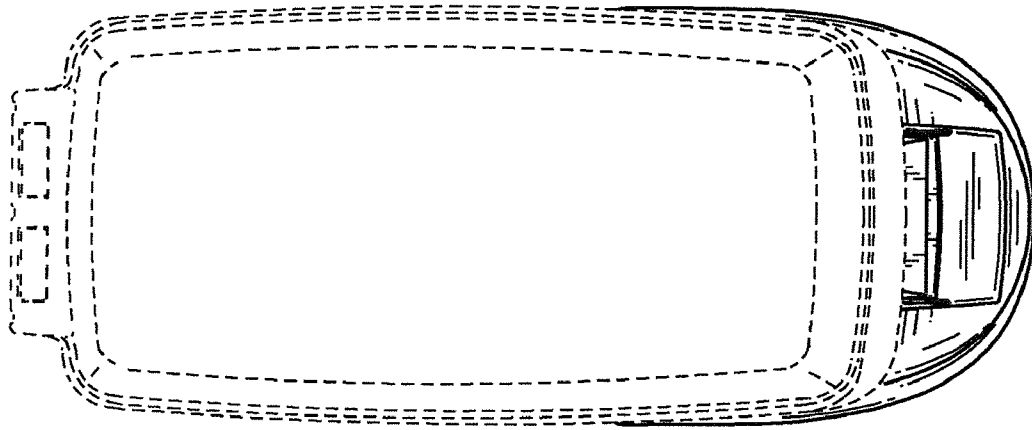


FIG. 6

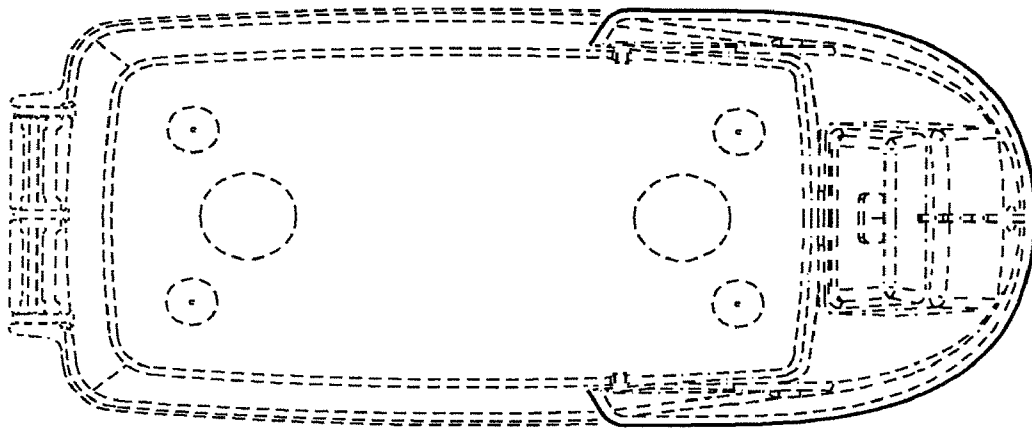


FIG. 7