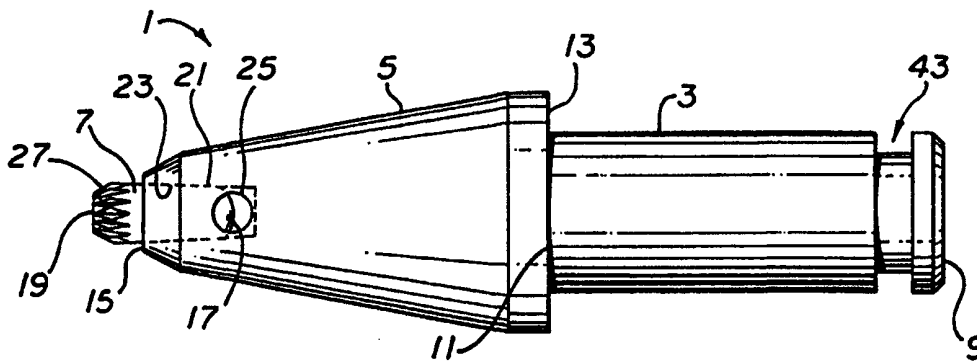




INTERNATIONAL APPLICATION PUBLISHED UNDER THE PATENT COOPERATION TREATY (PCT)

| | | |
|---|------------------|--|
| <p>(51) International Patent Classification⁶ : E21B 10/36</p> | <p>A3</p> | <p>(11) International Publication Number: WO 99/06191 (43) International Publication Date: 11 February 1999 (11.02.99)</p> |
| <p>(21) International Application Number: PCT/US98/15747 (22) International Filing Date: 30 July 1998 (30.07.98) (30) Priority Data: 08/903,554 31 July 1997 (31.07.97) US (71)(72) Applicant and Inventor: BRIESE, Leonard, Arden [US/US]; 1400 240th Street, No. D, Harbor City, CA 90710 (US). (74) Agent: FINKELSTEIN, Don, B.; Law Offices of Don Finkelstein, Suite 216, 3858 Carson Street, Torrance, CA 90503 (US).</p> | | <p>(81) Designated States: AL, AM, AT, AU, AZ, BA, BB, BG, BR, BY, CA, CH, CN, CU, CZ, DE, DK, EE, ES, FI, GB, GE, GH, GM, HR, HU, ID, IL, IS, JP, KE, KG, KP, KR, KZ, LC, LK, LR, LS, LT, LU, LV, MD, MG, MK, MN, MW, MX, NO, NZ, PL, PT, RO, RU, SD, SE, SG, SI, SK, SL, TJ, TM, TR, TT, UA, UG, US, UZ, VN, YU, ZW, ARIPO patent (GH, GM, KE, LS, MW, SD, SZ, UG, ZW), Eurasian patent (AM, AZ, BY, KG, KZ, MD, RU, TJ, TM), European patent (AT, BE, CH, CY, DE, DK, ES, FI, FR, GB, GR, IE, IT, LU, MC, NL, PT, SE), OAPI patent (BF, BJ, CF, CG, CI, CM, GA, GN, GW, ML, MR, NE, SN, TD, TG).</p> <p>Published <i>With international search report. Before the expiration of the time limit for amending the claims and to be republished in the event of the receipt of amendments.</i></p> <p>(88) Date of publication of the international search report: 22 April 1999 (22.04.99)</p> |

(54) Title: A FRUSTUM CUTTING BIT ARRANGEMENT



(57) Abstract

A frustum cutting bit arrangement, comprising a shank portion (3) for mounting in, and to be retained by, a rotary cutting tool body, the shank portion (3) having an axis, an inner axial end, and an outer axial end. A head portion (5) has an axis coincident with the shank portion axis, a front axial end, and a rear axial end, the rear end coupled to the shank portion outer end, and the front end having a conical cavity (23) therein diminishing in diameter from the front end toward the rear end.

FOR THE PURPOSES OF INFORMATION ONLY

Codes used to identify States party to the PCT on the front pages of pamphlets publishing international applications under the PCT.

| | | | | | | | |
|----|--------------------------|----|--|----|--|----|--------------------------|
| AL | Albania | ES | Spain | LS | Lesotho | SI | Slovenia |
| AM | Armenia | FI | Finland | LT | Lithuania | SK | Slovakia |
| AT | Austria | FR | France | LU | Luxembourg | SN | Senegal |
| AU | Australia | GA | Gabon | LV | Latvia | SZ | Swaziland |
| AZ | Azerbaijan | GB | United Kingdom | MC | Monaco | TD | Chad |
| BA | Bosnia and Herzegovina | GE | Georgia | MD | Republic of Moldova | TG | Togo |
| BB | Barbados | GH | Ghana | MG | Madagascar | TJ | Tajikistan |
| BE | Belgium | GN | Guinea | MK | The former Yugoslav Republic of Macedonia | TM | Turkmenistan |
| BF | Burkina Faso | GR | Greece | ML | Mali | TR | Turkey |
| BG | Bulgaria | HU | Hungary | MN | Mongolia | TT | Trinidad and Tobago |
| BJ | Benin | IE | Ireland | MR | Mauritania | UA | Ukraine |
| BR | Brazil | IL | Israel | MW | Malawi | UG | Uganda |
| BY | Belarus | IS | Iceland | MX | Mexico | US | United States of America |
| CA | Canada | IT | Italy | NE | Niger | UZ | Uzbekistan |
| CF | Central African Republic | JP | Japan | NL | Netherlands | VN | Viet Nam |
| CG | Congo | KE | Kenya | NO | Norway | YU | Yugoslavia |
| CH | Switzerland | KG | Kyrgyzstan | NZ | New Zealand | ZW | Zimbabwe |
| CI | Côte d'Ivoire | KP | Democratic People's Republic of Korea | PL | Poland | | |
| CM | Cameroon | KR | Republic of Korea | PT | Portugal | | |
| CN | China | KZ | Kazakstan | RO | Romania | | |
| CU | Cuba | LC | Saint Lucia | RU | Russian Federation | | |
| CZ | Czech Republic | LI | Liechtenstein | SD | Sudan | | |
| DE | Germany | LK | Sri Lanka | SE | Sweden | | |
| DK | Denmark | LR | Liberia | SG | Singapore | | |
| EE | Estonia | | | | | | |

INTERNATIONAL SEARCH REPORT

International application No.
PCT/US98/15747

| <p>A. CLASSIFICATION OF SUBJECT MATTER IPC(6) E21B 10/36 US CL 175-427, 430; 299-100, 113 According to International Patent Classification (IPC) or to both national classification and IPC</p> | | |
|---|--|---|
| <p>B. FIELDS SEARCHED Minimum documentation searched (classification system followed by classification symbols) U.S. : 175/427, 430, 426; 299/100, 113, 112</p> | | |
| <p>Documentation searched other than minimum documentation to the extent that such documents are included in the fields searched NONE</p> | | |
| <p>Electronic data base consulted during the international search (name of data base and, where practicable, search terms used) APS</p> | | |
| <p>C. DOCUMENTS CONSIDERED TO BE RELEVANT</p> | | |
| Category* | Citation of document, with indication, where appropriate, of the relevant passages | Relevant to claim No. |
| A | US 4,109,737 A (BOVENKERK) 29 AUGUST 1978 see entire document | 1-26 |
| A | US 4,416,489 A (HAGGENMACHER ET AL) 22 NOVEMBER 1983 see entire document | 1-26 |
| A | US 5,456,522 A (BEACH) 10 OCTOBER 1995 see entire document | 1-26 |
| <p><input type="checkbox"/> Further documents are listed in the continuation of Box C. <input type="checkbox"/> See patent family annex.</p> | | |
| * *A* *E* *L* *O* *P* | Special categories of cited documents document defining the general state of the art which is not considered to be of particular relevance earlier document published on or after the international filing date document which may throw doubts on priority claim(s) or which is cited to establish the publication date of another citation or other special reason (as specified) document referring to an oral disclosure, use, exhibition or other means document published prior to the international filing date but later than the priority date claimed | *T* *X* *Y* *&* later document published after the international filing date or priority date and not in conflict with the application but cited to understand the principle or theory underlying the invention document of particular relevance; the claimed invention cannot be considered novel or cannot be considered to involve an inventive step when the document is taken alone document of particular relevance; the claimed invention cannot be considered to involve an inventive step when the document is combined with one or more other such documents, such combination being obvious to a person skilled in the art document member of the patent family |
| <p>Date of the actual completion of the international search 11 FEBRUARY 1999</p> | | <p>Date of mailing of the international search report 04 MAR 1999</p> |
| <p>Name and mailing address of the ISA/US Commissioner of Patents and Trademarks Box PCT Washington, D.C. 20231 Facsimile No. (703) 305-3230</p> | | <p>Authorized officer <i>Roger Schoepfel</i> ROGER SCHOEPPPEL Telephone No. (703) 308-2147</p> |