



US00D777907S

(12) **United States Design Patent**  
**Amend Kwasnik et al.**

(10) **Patent No.:** **US D777,907 S**

(45) **Date of Patent:** **\*\* Jan. 31, 2017**

(54) **MEDICAL INJECTOR PEN**

(56) **References Cited**

(71) Applicant: **Merck Sharp & Dohme Corp.**,  
Rahway, NJ (US)

U.S. PATENT DOCUMENTS

(72) Inventors: **Angela M. Amend Kwasnik**,  
Metuchen, NJ (US); **Benjamin R. Bartfeld**,  
West Orange, NJ (US); **Peter Basile**,  
Bloomsbury, NJ (US); **Jeffrey C. Givand**,  
North Wales, PA (US); **Philip G. Green**,  
Weehawken, NJ (US); **Sharad Gupta**,  
Madison, NJ (US); **Christin L. O'Neill**,  
Philadelphia, PA (US); **Steven Carl Persak**,  
Lebanon, NJ (US); **Robert Stianchi**,  
Hillsborough, NJ (US); **Ari Tao Adler**,  
Cambridge, MA (US); **Florian Altmann**,  
München (DE); **Thomas Junk**,  
München (DE); **Florian Kössler**,  
München (DE); **Martin Meier**,  
München (DE); **Scott R. Mackie**,  
New Haven, CT (US); **Pernilla Danielsson**,  
Stockholm (SE)

1,686,055 A 10/1928 Whiteside  
D147,579 S 9/1947 Campbell  
(Continued)

*Primary Examiner* — David Muller  
*Assistant Examiner* — Nathan Johnston  
(74) *Attorney, Agent, or Firm* — John David Reilly;  
Sylvia Fuentes

**CLAIM**

The ornamental design for a medical injector pen, as shown and described.

**DESCRIPTION**

The patent or application file contains at least one drawing executed in color. Copies of this patent or patent application publication with color drawing(s) will be provided by the Office upon request and payment of the necessary fee.

FIG. 1 is a perspective view of a medical injector pen with the cap attached, in accordance with the present invention, in which the color of the pen cap and body, the color of the dosage knob, and the color of the dosage window bezel and actuator button all form part of the design. The color of the pen cap and body is Pantone 538C, the color of the dosage knob is Pantone 2766C, and the color of the dosage window bezel and actuator button is Pantone 272C;

FIG. 2 is a front elevational view thereof;

FIG. 3 is a left side elevational view thereof;

FIG. 4 is a right side elevational view thereof;

FIG. 5 is a rear elevational view thereof;

FIG. 6 is a top plan view thereof;

FIG. 7 is a bottom plan view thereof;

FIG. 8 is an enlarged fragmentary view of the encircled portion labeled as "8" in FIG. 2.

FIG. 9 is an enlarged fragmentary view of the encircled portion labeled as "9" in FIG. 3; and,

FIG. 10 is an enlarged fragmentary view of the encircled portion labeled as "10" in FIG. 4.

Diagonal lines on the cartridge holder indicate transparency.

**1 Claim, 9 Drawing Sheets**  
**(9 of 9 Drawing Sheet(s) Filed in Color)**

(73) Assignee: **Merck Sharp & Dohme Corp.**,  
Rahway, NJ (US)

(\*\*) Term: **14 Years**

(21) Appl. No.: **29/500,636**

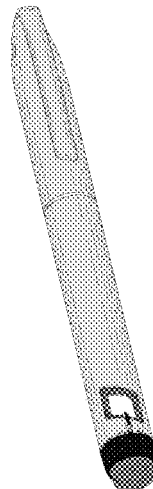
(22) Filed: **Aug. 27, 2014**

(51) **LOC (10) Cl.** ..... **24-02**

(52) **U.S. Cl.**  
USPC ..... **D24/113**

(58) **Field of Classification Search**  
USPC D24/112-114, 127-131, 133, 186; 606/181,  
606/185; 604/264, 272, 115, 232, 187,  
604/158, 164.08, 192, 263, 163, 181, 184,  
604/198, 227; 600/101, 139, 143;  
128/200.24, 207.14, 207.15;  
D19/115-123, 177

(Continued)



- (58) **Field of Classification Search**  
 CPC ..... A61M 5/3156; A61M 5/31591; A61M  
 5/3155; A61M 5/3157; A61M  
 5/24; A61M 5/31501; A61M  
 5/31551; A61M 5/31585; A61M  
 2005/2407; A61M 2005/2492; A61M  
 2205/581; A61M 2205/582  
 See application file for complete search history.

(56) **References Cited**

U.S. PATENT DOCUMENTS

D279,504 S 7/1985 Tump  
 D298,653 S 11/1988 Maietta  
 D320,084 S 9/1991 Stewart et al.  
 D369,384 S 4/1996 Yasoshima  
 5,645,534 A \* 7/1997 Chanoch ..... A61M 5/31535  
 206/534  
 5,921,966 A \* 7/1999 Bendek ..... A61M 5/24  
 604/207  
 6,001,082 A \* 12/1999 Dair ..... A61M 5/31525  
 604/187  
 D479,600 S 9/2003 Bainton  
 D479,603 S \* 9/2003 Tyce ..... D19/164  
 D479,748 S 9/2003 Tyce  
 D490,150 S 5/2004 Hawley et al.  
 D491,263 S 6/2004 Hawley et al.  
 D492,027 S \* 6/2004 Tyce ..... D19/167  
 D492,405 S 6/2004 Bainton  
 D499,485 S 12/2004 Tyce  
 D501,253 S \* 1/2005 Bainton ..... D19/164  
 D503,797 S \* 4/2005 Tyce ..... D24/114  
 D505,490 S 5/2005 Tyce  
 D506,221 S 6/2005 Huang  
 D540,465 S 4/2007 Bainton  
 D542,914 S 5/2007 Tanghoj  
 D542,978 S 5/2007 Bortolotti  
 D567,852 S 4/2008 Qiu et al.  
 D568,988 S 5/2008 Galbraith  
 D598,539 S 8/2009 Tyce  
 D599,008 S 8/2009 Tyce  
 D599,009 S 8/2009 Tyce  
 D599,010 S 8/2009 Tyce  
 D599,011 S 8/2009 Tyce  
 D600,794 S 9/2009 Tyce

D600,795 S 9/2009 Tyce  
 D606,650 S 12/2009 Tyce  
 D608,442 S 1/2010 Tyce  
 D610,252 S 2/2010 Tyce  
 D610,676 S 2/2010 Tyce  
 D610,677 S 2/2010 Tyce  
 D612,486 S 3/2010 Van der Stappen  
 7,674,246 B2 3/2010 Gillespie et al.  
 D619,244 S 7/2010 Van der Stappen  
 D622,374 S 8/2010 Julian et al.  
 D626,216 S 10/2010 Tyce  
 D627,061 S 11/2010 Van der Stappen  
 D629,509 S 12/2010 Julian et al.  
 D687,543 S \* 8/2013 Pala ..... D24/113  
 D688,791 S \* 8/2013 Guarraia ..... D24/113  
 D688,792 S 8/2013 Guarraia et al.  
 D696,773 S \* 12/2013 Schneider ..... D24/113  
 D696,774 S 12/2013 Guarraia et al.  
 D696,775 S 12/2013 Guarraia et al.  
 D703,314 S \* 4/2014 Schneider ..... D24/113  
 D714,932 S \* 10/2014 Hall ..... D24/112  
 D717,940 S \* 11/2014 Magome ..... D24/113  
 D722,158 S \* 2/2015 Magome ..... D24/113  
 9,005,171 B2 \* 4/2015 Jones ..... A61M 5/24  
 604/189  
 9,095,658 B2 \* 8/2015 Wieselblad ..... A61M 5/31551  
 9,101,722 B2 \* 8/2015 Moller ..... A61M 5/31536  
 9,155,842 B2 \* 10/2015 Matthias ..... A61M 5/31525  
 2004/0054327 A1 3/2004 Gillespie  
 2011/0071471 A1 \* 3/2011 Dibiasi ..... A61M 5/3202  
 604/111  
 2012/0041417 A1 \* 2/2012 Searle ..... A61M 5/002  
 604/506  
 2013/0023830 A1 \* 1/2013 Bode ..... A61M 5/24  
 604/192  
 2014/0012205 A1 \* 1/2014 Jugl ..... A61M 5/24  
 604/192  
 2015/0032059 A1 \* 1/2015 Allerdings ..... G06F 19/3468  
 604/189  
 2015/0038916 A1 \* 2/2015 Moller ..... A61M 5/31525  
 604/211  
 2015/0057619 A1 \* 2/2015 Osman ..... A61M 5/24  
 604/189  
 2015/0202377 A1 \* 7/2015 Haupt ..... A61M 5/24  
 604/207

\* cited by examiner

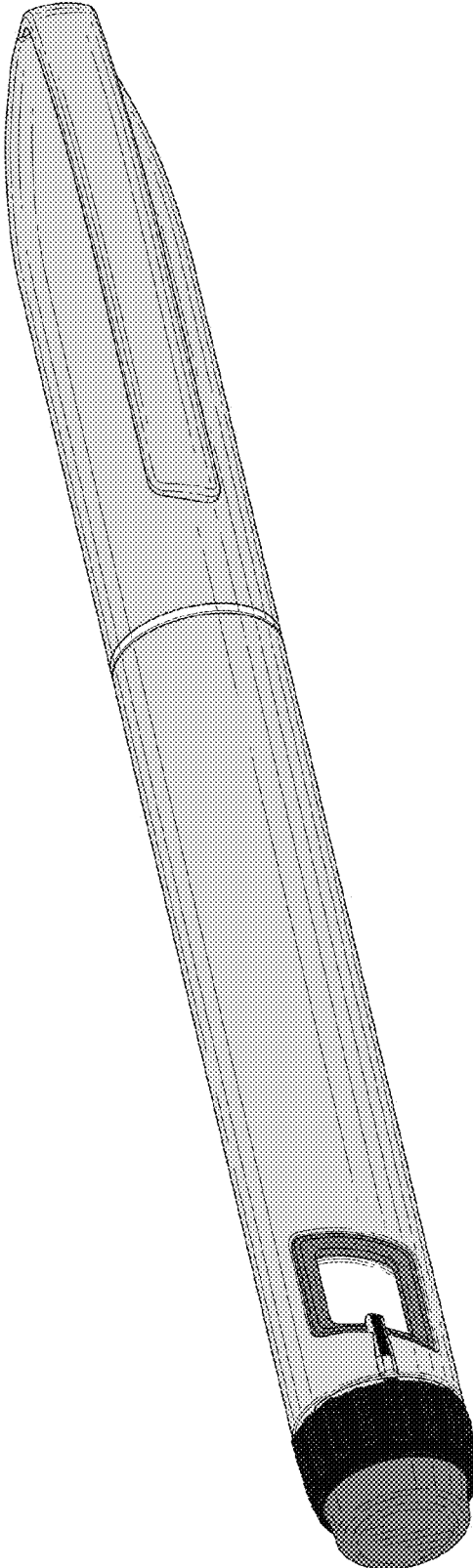


FIG. 1

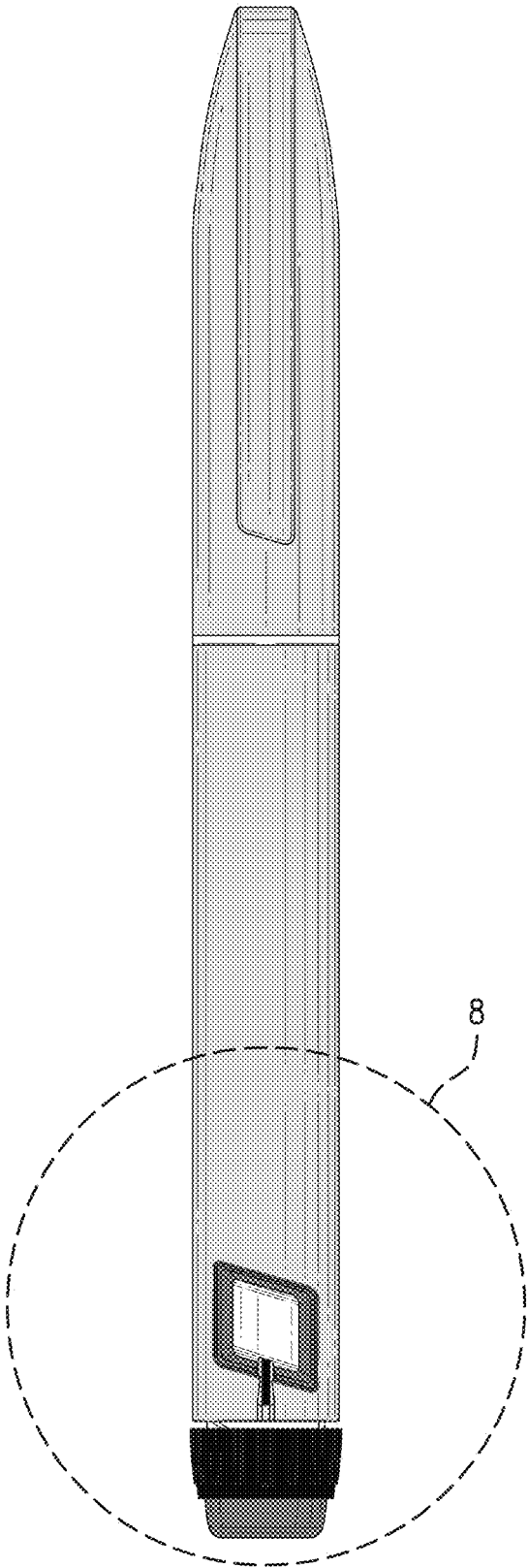


FIG.2

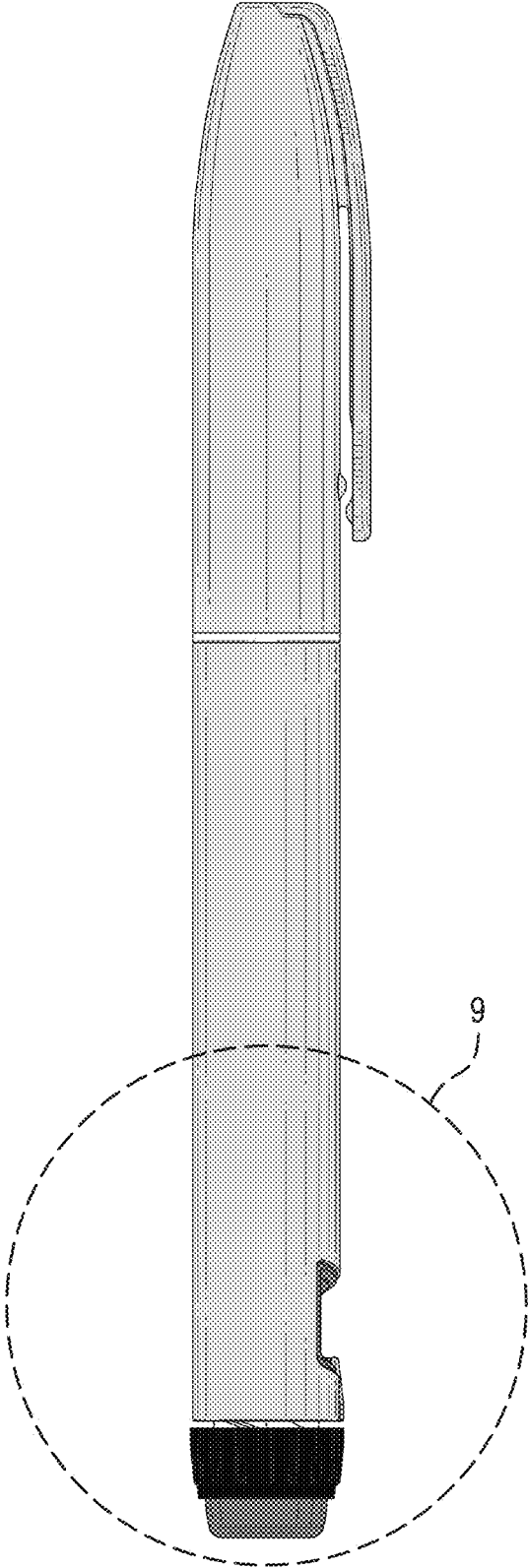


FIG.3

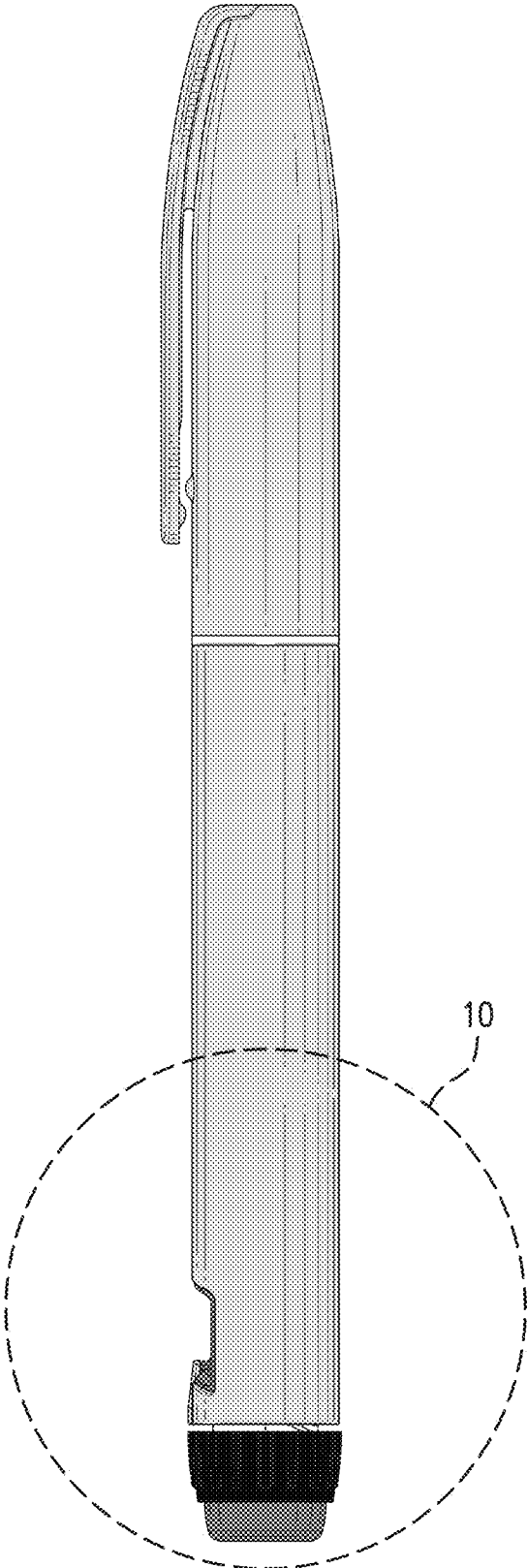


FIG.4

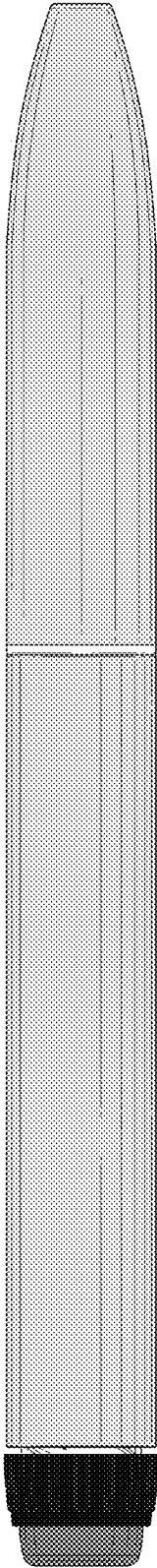


FIG. 5

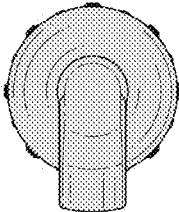


FIG. 6

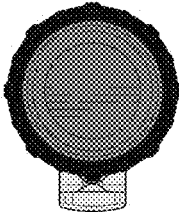


FIG. 7



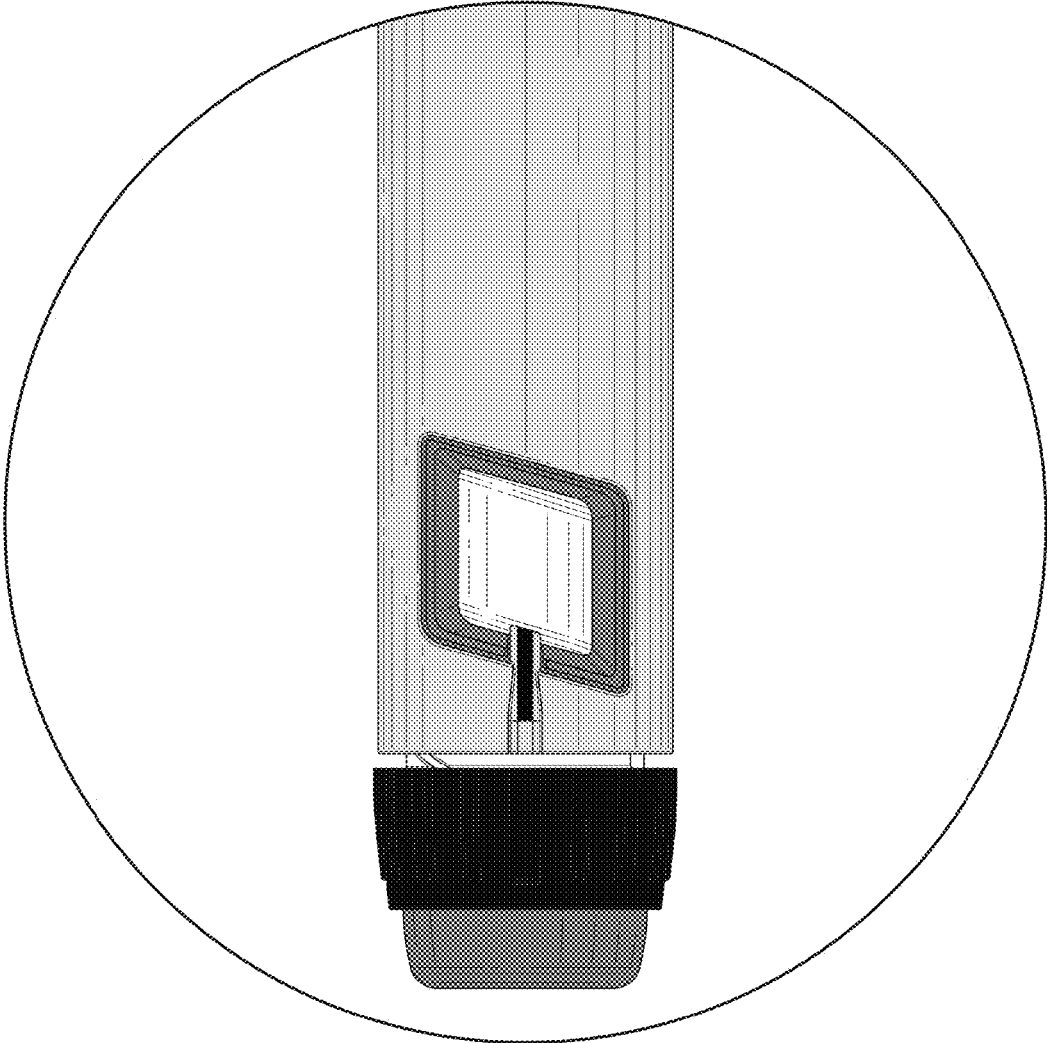


FIG. 8

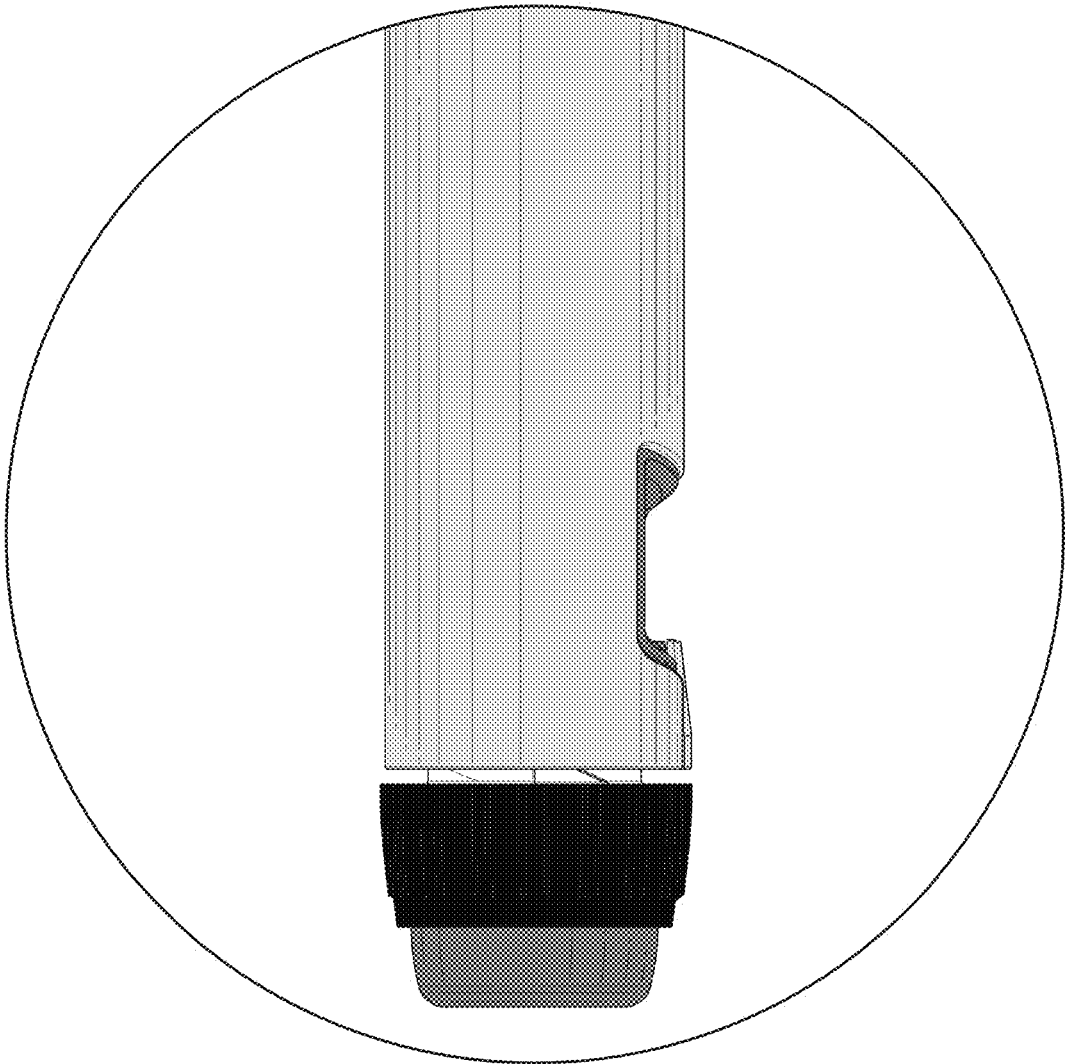


FIG. 9

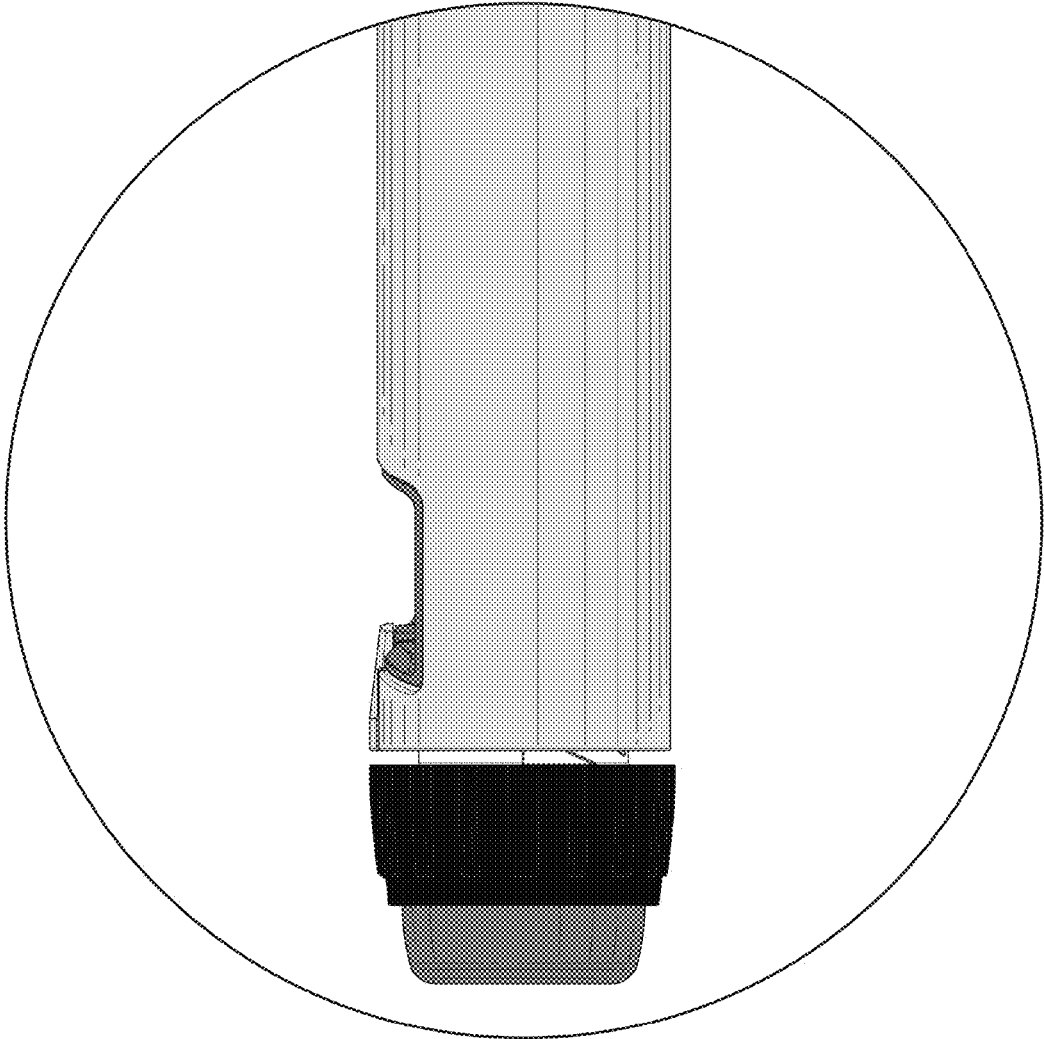


FIG. 10