



US00D651317S

(12) **United States Design Patent**
May et al.

(10) **Patent No.:** **US D651,317 S**

(45) **Date of Patent:** **** Dec. 27, 2011**

(54) **FEMORAL PROSTHESIS SIZING TOOL**

(75) Inventors: **Justin J. May**, Leesburg, IN (US);
Shanon N. Roberts, Columbia City, IN (US)

(73) Assignee: **Zimmer, Inc.**, Warsaw, IN (US)

(**) Term: **14 Years**

(21) Appl. No.: **29/363,165**

(22) Filed: **Jun. 4, 2010**

(51) **LOC (9) Cl.** **24-02**

(52) **U.S. Cl.** **D24/140**

(58) **Field of Classification Search** D24/133,
D24/140, 143, 144, 145, 146, 147, 155, 171;
606/1, 53, 86 R, 87, 88, 89, 99, 105, 205,
606/206, 211, 916, 237

See application file for complete search history.

(56) **References Cited**

U.S. PATENT DOCUMENTS

D274,093	S *	5/1984	Kenna	D24/140
D376,202	S *	12/1996	Burke et al.	D24/140
5,662,656	A *	9/1997	White	606/88
D398,995	S *	9/1998	Muller et al.	D24/133
6,159,216	A *	12/2000	Burkinshaw et al.	606/88
D442,281	S *	5/2001	Ericsson et al.	D24/140
6,290,704	B1 *	9/2001	Burkinshaw et al.	606/88
6,629,978	B2 *	10/2003	Schulzki et al.	606/86 R
6,740,092	B2 *	5/2004	Lombardo et al.	606/88
7,344,541	B2 *	3/2008	Haines et al.	606/88
7,686,812	B2 *	3/2010	Axelson et al.	606/88
7,927,336	B2 *	4/2011	Rasmussen	606/88
2004/0172044	A1 *	9/2004	Grimm et al.	606/130
2005/0187560	A1 *	8/2005	Dietzel et al.	606/102

2006/0200158	A1 *	9/2006	Farling et al.	606/87
2006/0241634	A1 *	10/2006	Tuttle et al.	606/86
2007/0213738	A1 *	9/2007	Martin et al.	606/87
2008/0195109	A1 *	8/2008	Hunter et al.	606/87
2010/0057090	A1 *	3/2010	May et al.	606/96
2010/0063508	A1 *	3/2010	Borja et al.	606/88

* cited by examiner

Primary Examiner — Bridget L Eland

(74) *Attorney, Agent, or Firm* — Baker & Daniels LLP

(57) **CLAIM**

The ornamental design for a femoral prosthesis sizing tool, as shown and described.

DESCRIPTION

FIG. 1 is a perspective view of a femoral prosthesis sizing tool shown in an environment illustrating our new design; FIG. 2 is a front end elevation view of the femoral prosthesis sizing tool shown removed from its environment in order to show aspects of the design that are not apparent in the perspective view;

FIG. 3 is a rear end elevation view thereof;

FIG. 4 is a left side elevation view thereof;

FIG. 5 is a right side elevation view thereof;

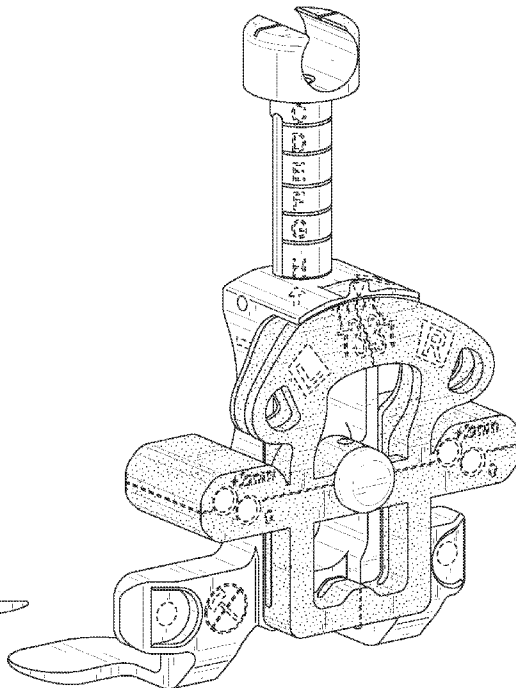
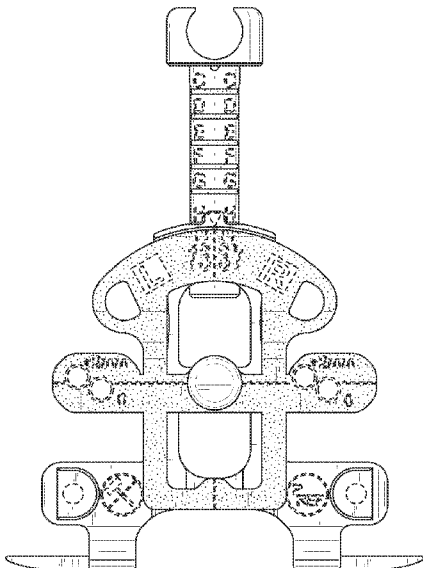
FIG. 6 is a top plan view thereof;

FIG. 7 is a bottom plan view thereof; and,

FIG. 8 is a perspective view thereof.

The evenly spaced broken lines shown that are immediately adjacent the shaded areas, and define unshaded regions, represent unclaimed boundaries while the remaining evenly spaced broken lines and the dot-dash broken lines are directed to environment and are for illustrative purposes only; the broken lines form no part of the claimed design.

1 Claim, 7 Drawing Sheets



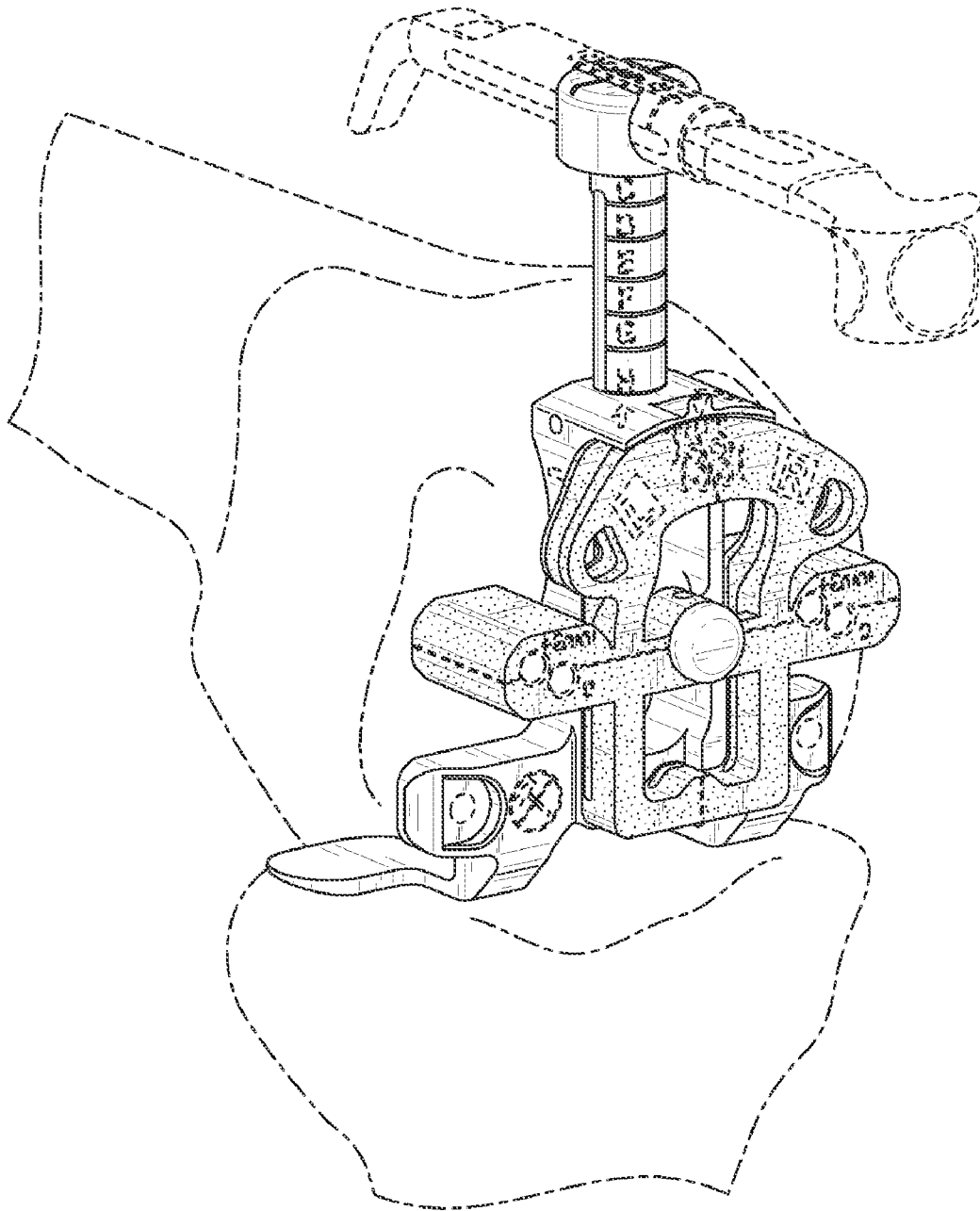


FIG. 1

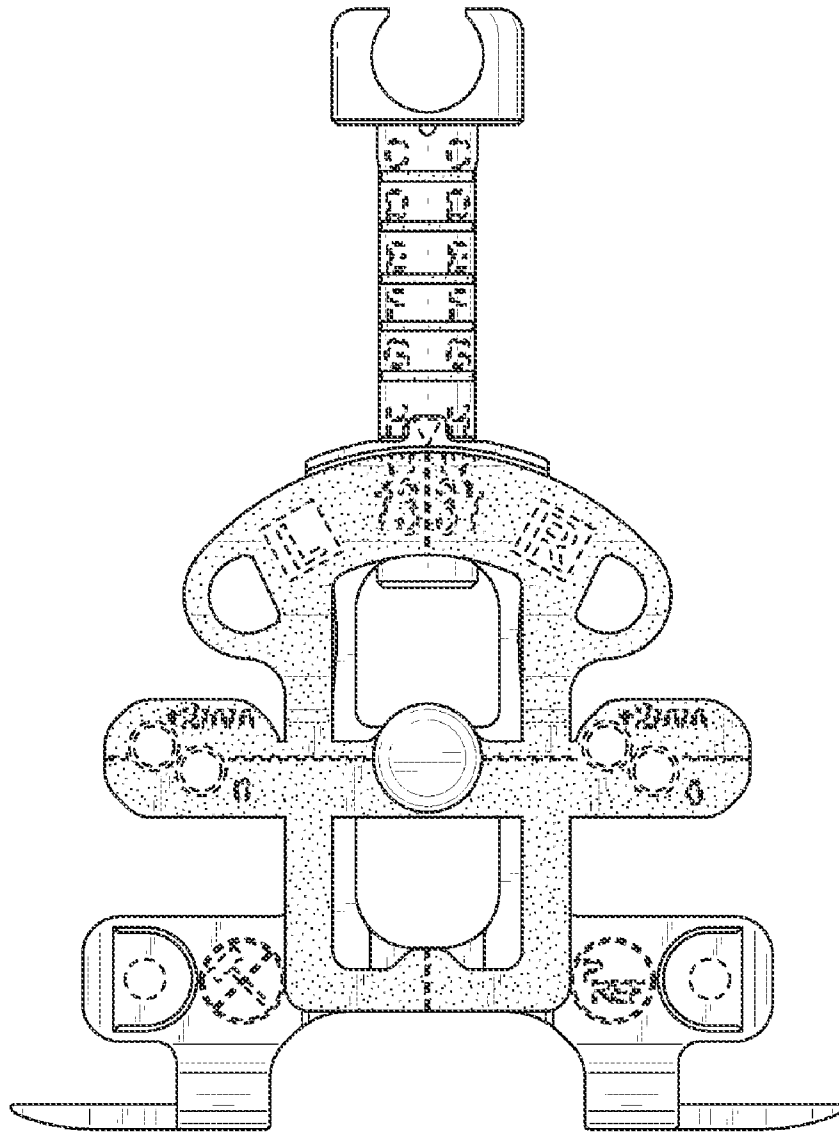


FIG. 2

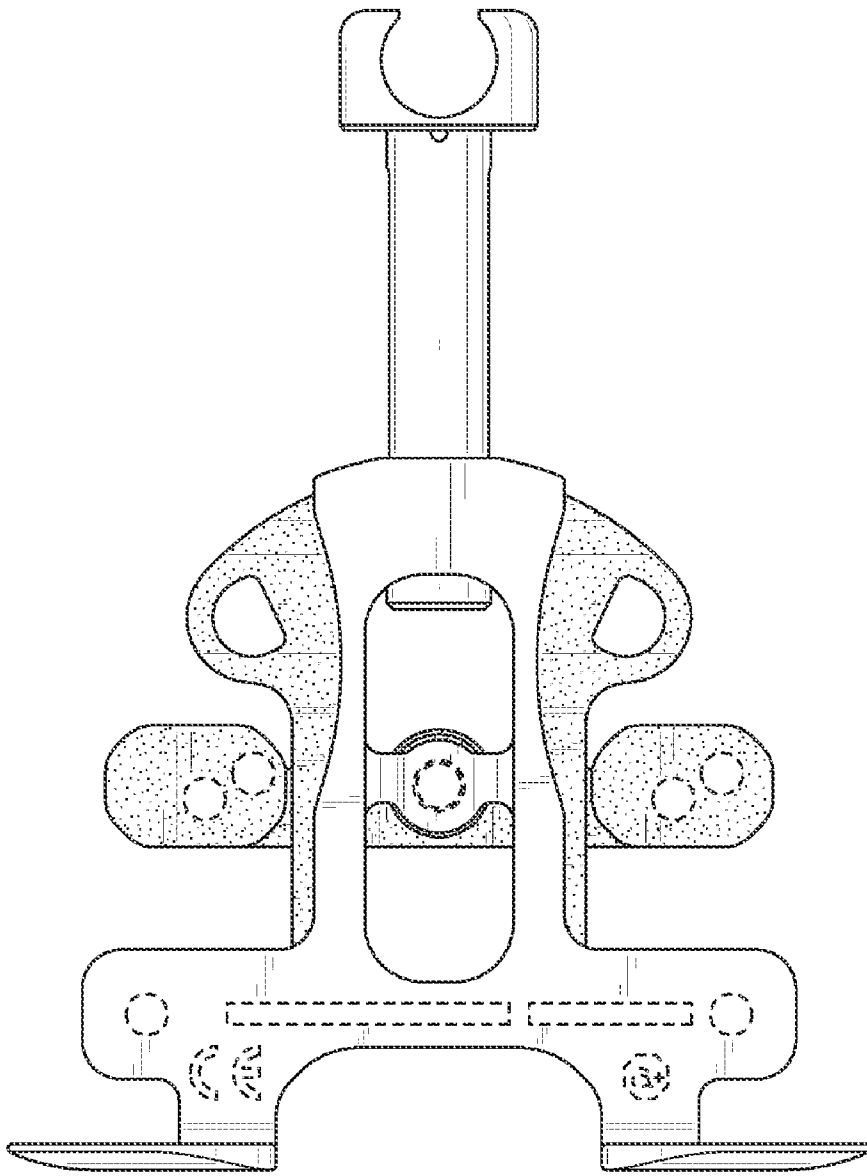


FIG. 3

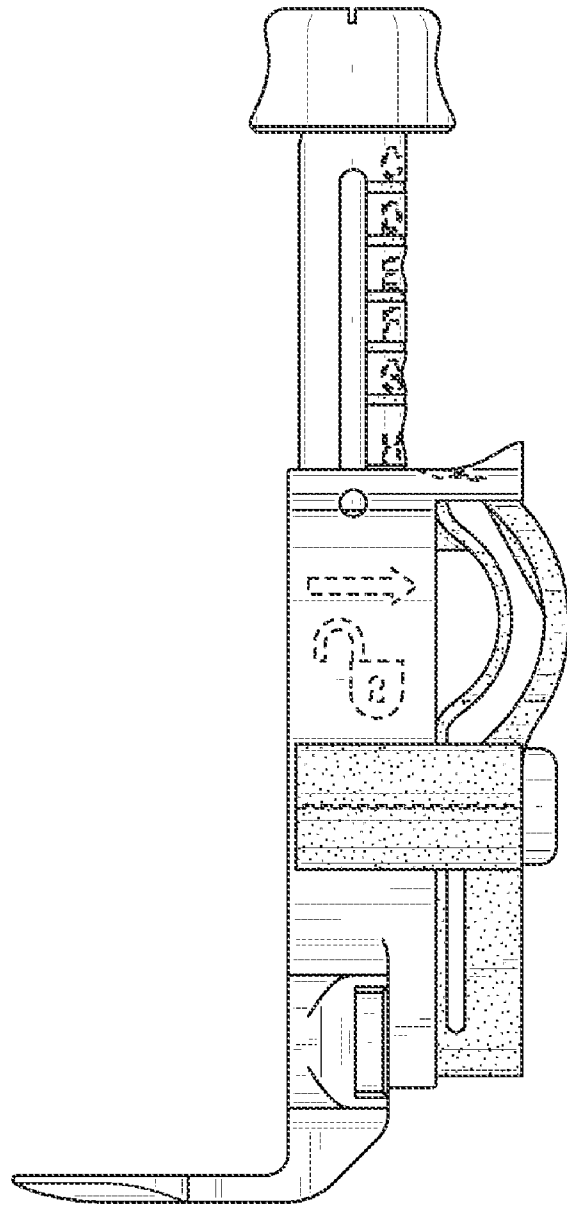


FIG. 4

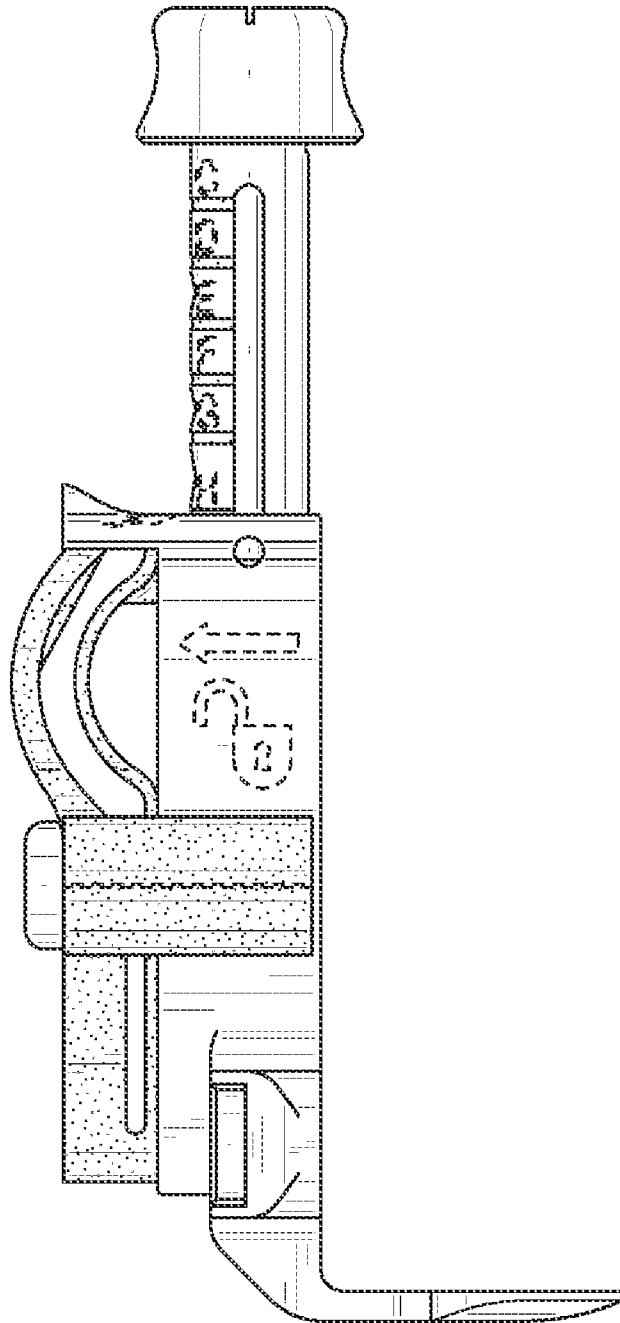


FIG. 5

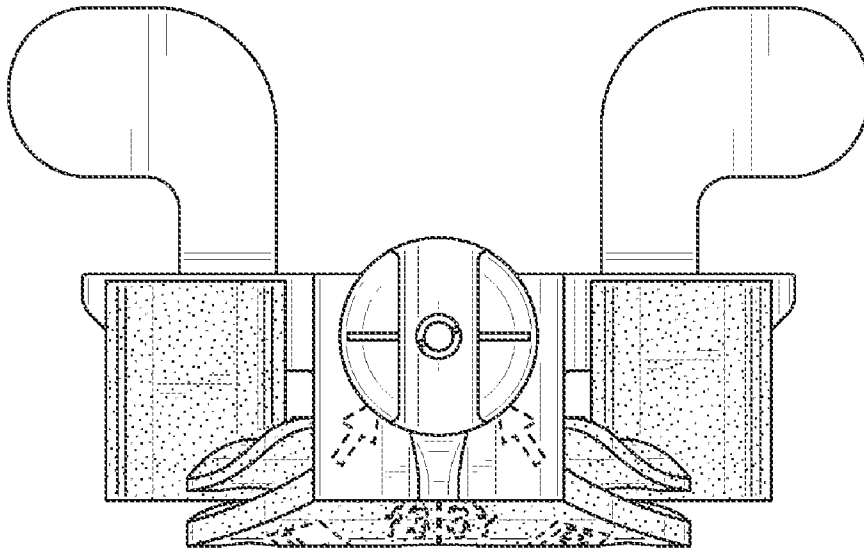


FIG. 6

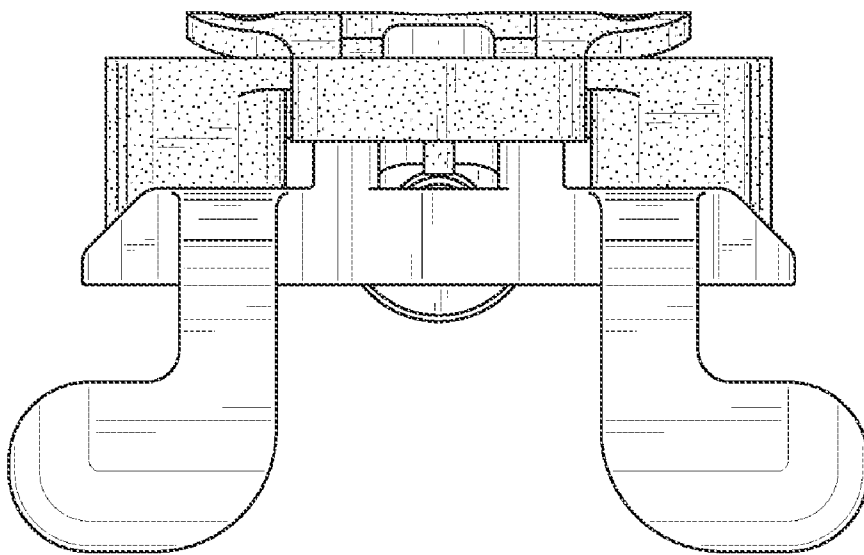


FIG. 7

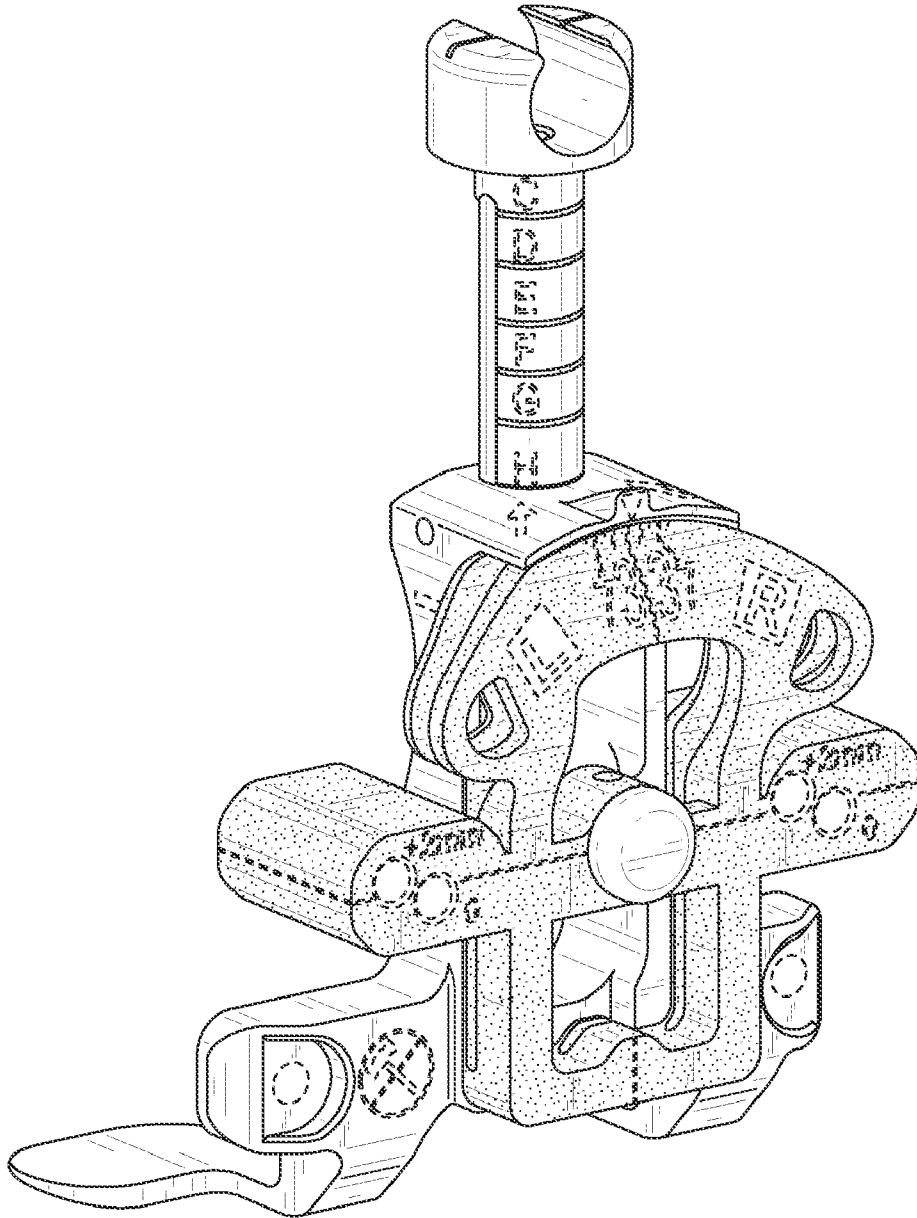


FIG. 8