



- (51) International Patent Classification:
A61L 9/12 (2006.01) A47K 10/32 (2006.01)
A47K 10/38 (2006.01)
- (21) International Application Number:
PCT/US2012/000424
- (22) International Filing Date:
2 October 2012 (02.10.2012)
- (25) Filing Language: English
- (26) Publication Language: English
- (30) Priority Data:
13/431,212 27 March 2012 (27.03.2012) US
- (71) Applicant: KELLYCRAFT INNOVATIONS LLC
[US/US]; 114 East Crockett, Cleveland, TX 77327 (US).
- (72) Inventor: MEYERS, Leigh, A.; 114 East Crockett, Cleve-
land, TX 77327 (US).
- (74) Agent: COOK, Tim; Law Office of Tim Cook, P.C., P.O.
Box 10107, Liberty, TX 77575 (US).
- (81) Designated States (unless otherwise indicated, for every
kind of national protection available): AE, AG, AL, AM,
AO, AT, AU, AZ, BA, BB, BG, BH, BN, BR, BW, BY,
BZ, CA, CH, CL, CN, CO, CR, CU, CZ, DE, DK, DM,
DO, DZ, EC, EE, EG, ES, FI, GB, GD, GE, GH, GM, GT,

HN, HR, HU, ID, IL, IN, IS, JP, KE, KG, KM, KN, KP,
KR, KZ, LA, LC, LK, LR, LS, LT, LU, LY, MA, MD,
ME, MG, MK, MN, MW, MX, MY, MZ, NA, NG, NI,
NO, NZ, OM, PA, PE, PG, PH, PL, PT, QA, RO, RS, RU,
RW, SC, SD, SE, SG, SK, SL, SM, ST, SV, SY, TH, TJ,
TM, TN, TR, TT, TZ, UA, UG, US, UZ, VC, VN, ZA,
ZM, ZW.

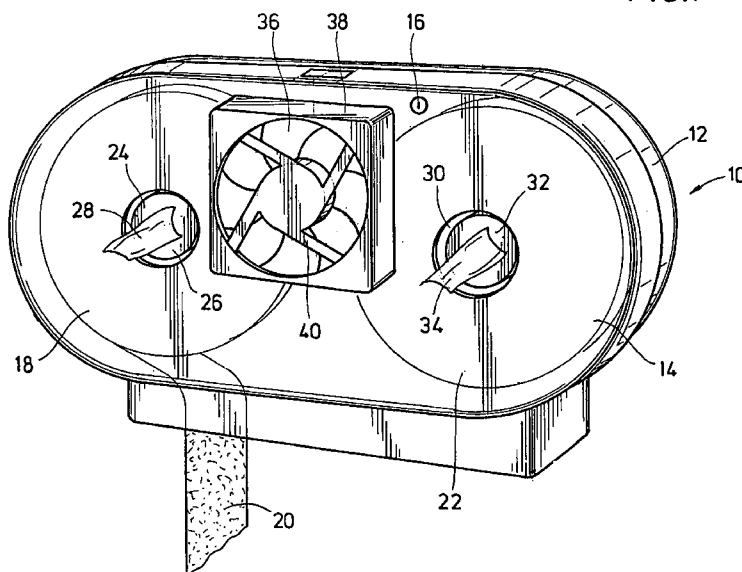
- (84) Designated States (unless otherwise indicated, for every
kind of regional protection available): ARIPO (BW, GH,
GM, KE, LR, LS, MW, MZ, NA, RW, SD, SL, SZ, TZ,
UG, ZM, ZW), Eurasian (AM, AZ, BY, KG, KZ, RU, TJ,
TM), European (AL, AT, BE, BG, CH, CY, CZ, DE, DK,
EE, ES, FI, FR, GB, GR, HR, HU, IE, IS, IT, LT, LU, LV,
MC, MK, MT, NL, NO, PL, PT, RO, RS, SE, SI, SK, SM,
TR), OAPI (BF, BJ, CF, CG, CI, CM, GA, GN, GQ, GW,
ML, MR, NE, SN, TD, TG).

Published:

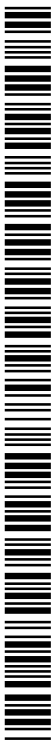
- with international search report (Art. 21(3))
- before the expiration of the time limit for amending the
claims and to be republished in the event of receipt of
amendments (Rule 48.2(h))

- (88) Date of publication of the international search report:
12 December 2013

(54) Title: COMBINATION TOILET PAPER DISPENSER, DISINFECTING STATION, AND DEODORIZING STATION



(57) Abstract: A station combines a toilet pa-
per (20) dispenser, dispenser for dispensing
hand wipes (28), a dispenser for dispensing
surface antibiotic wipes (34), and a deodorant
feature. The station includes a toilet paper dis-
penser made from a plastic type material and
the toilet paper dispenser may be a single or
double roll dispenser. The station cover
houses a battery-operated fan (40) that pulls
air from inside the dispenser. A tray inside the
dispenser holds a fragrance cup holding a
quantity of deodorant. The base holds one or
two rolls of commercial toilet paper, each of
which rolls on a hollow plastic axle (24, 30)
to hold a bottle (26, 32) containing wipes. A
microswitch may be integrated in the cover to
disengage the fan when the cover of the unit is
open.



INTERNATIONAL SEARCH REPORT

International application No PCT/US2012/000424

A. CLASSIFICATION OF SUBJECT MATTER
 INV. A61L9/12 A47K10/38 A47K10/32
 ADD.

According to International Patent Classification (IPC) or to both national classification and IPC

B. FIELDS SEARCHED

Minimum documentation searched (classification system followed by classification symbols)
 A47K A61L

Documentation searched other than minimum documentation to the extent that such documents are included in the fields searched

Electronic data base consulted during the international search (name of data base and, where practicable, search terms used)

EPO-Internal, WPI Data

C. DOCUMENTS CONSIDERED TO BE RELEVANT

Category*	Citation of document, with indication, where appropriate, of the relevant passages	Relevant to claim No.
X	US 4 834 316 A (DELOREAN RUTH M [US]) 30 May 1989 (1989-05-30) column 2, line 22 - column 3, line 27; figures 1-3 -----	1,2
X	US 5 443 084 A (SALEUR REMY [FR]) 22 August 1995 (1995-08-22) column 5, line 60 - line 65; figure 4 -----	1-5
X	US 3 460 509 A (KACZEUS STEVEN L) 12 August 1969 (1969-08-12) column 3, line 20 - line 33 column 6, line 3 - line 9; figure 2 -----	1-8
X	DE 201 10 580 U1 (SCHMID HERBERT [DE]) 6 December 2001 (2001-12-06) the whole document -----	1,2,9,10
	----- -/--	

Further documents are listed in the continuation of Box C.

See patent family annex.

* Special categories of cited documents :

"A" document defining the general state of the art which is not considered to be of particular relevance

"E" earlier application or patent but published on or after the international filing date

"L" document which may throw doubts on priority claim(s) or which is cited to establish the publication date of another citation or other special reason (as specified)

"O" document referring to an oral disclosure, use, exhibition or other means

"P" document published prior to the international filing date but later than the priority date claimed

"T" later document published after the international filing date or priority date and not in conflict with the application but cited to understand the principle or theory underlying the invention

"X" document of particular relevance; the claimed invention cannot be considered novel or cannot be considered to involve an inventive step when the document is taken alone

"Y" document of particular relevance; the claimed invention cannot be considered to involve an inventive step when the document is combined with one or more other such documents, such combination being obvious to a person skilled in the art

"&" document member of the same patent family

Date of the actual completion of the international search

15 October 2013

Date of mailing of the international search report

22/10/2013

Name and mailing address of the ISA/

European Patent Office, P.B. 5818 Patentlaan 2
 NL - 2280 HV Rijswijk
 Tel. (+31-70) 340-2040,
 Fax: (+31-70) 340-3016

Authorized officer

Zuurveld, Gerben

INTERNATIONAL SEARCH REPORT

International application No PCT/US2012/000424

C(Continuation). DOCUMENTS CONSIDERED TO BE RELEVANT		
Category*	Citation of document, with indication, where appropriate, of the relevant passages	Relevant to claim No.
X	WO 93/22961 A1 (WINDISCH WALTER WOLF [CH]) 25 November 1993 (1993-11-25) the whole document -----	1-5
X	US 2011/315715 A1 (OPHARDT HEINER [CA]) 29 December 2011 (2011-12-29) figures 8,9 -----	1-4,9-13

INTERNATIONAL SEARCH REPORT

Information on patent family members

International application No PCT/US2012/000424

Patent document cited in search report	Publication date	Patent family member(s)	Publication date
US 4834316	A	30-05-1989	NONE

US 5443084	A	22-08-1995	DE 69121729 D1 02-10-1996
			DE 69121729 T2 30-01-1997
			DK 0584065 T3 16-09-1996
			EP 0584065 A1 02-03-1994
			GR 3021243 T3 31-01-1997
			US 5443084 A 22-08-1995
			WO 9219141 A1 12-11-1992

US 3460509	A	12-08-1969	NONE

DE 20110580	U1	06-12-2001	NONE

WO 9322961	A1	25-11-1993	NONE

US 2011315715	A1	29-12-2011	DE 102011077989 A1 29-12-2011
			US 2011315715 A1 29-12-2011
