

(19) World Intellectual Property Organization
International Bureau



(43) International Publication Date
1 June 2006 (01.06.2006)

PCT

(10) International Publication Number
WO 2006/057970 A3

(51) International Patent Classification:
A63G 21/18 (2006.01) A63G 21/00 (2006.01)

(21) International Application Number:
PCT/US2005/042185

(22) International Filing Date:
18 November 2005 (18.11.2005)

(25) Filing Language: English

(26) Publication Language: English

(30) Priority Data:
10/997,790 24 November 2004 (24.11.2004) US

(71) Applicant (for all designated States except US): **HENRY, SCHOOLEY & ASSOCIATES, L.L.C.** [US/US]; 381 East Austin, New Braunfels, TX 78130 (US).

(72) Inventor; and

(75) Inventor/Applicant (for US only): **HENRY, Jeffery, Wayne** [US/US]; 777 Cloud Lane, New Braunfels, TX 78130 (US).

(74) Agent: **MEYERTONS, HOOD, KIVLIN, KOWERT & GOETZEL, P.C.**; MEYERTONS, Eric B., P.o. Box 398, Austin, TX 78767-0398 (US).

(81) Designated States (unless otherwise indicated, for every kind of national protection available): AE, AG, AL, AM,

AT, AU, AZ, BA, BB, BG, BR, BW, BY, BZ, CA, CH, CN, CO, CR, CU, CZ, DE, DK, DM, DZ, EC, EE, EG, ES, FI, GB, GD, GE, GH, GM, HR, HU, ID, IL, IN, IS, JP, KE, KG, KM, KN, KP, KR, KZ, LC, LK, LR, LS, LT, LU, LV, LY, MA, MD, MG, MK, MN, MW, MX, MZ, NA, NG, NI, NO, NZ, OM, PG, PH, PL, PT, RO, RU, SC, SD, SE, SG, SK, SL, SM, SY, TJ, TM, TN, TR, TT, TZ, UA, UG, US, UZ, VC, VN, YU, ZA, ZM, ZW.

(84) Designated States (unless otherwise indicated, for every kind of regional protection available): ARIPO (BW, GH, GM, KE, LS, MW, MZ, NA, SD, SL, SZ, TZ, UG, ZM, ZW), Eurasian (AM, AZ, BY, KG, KZ, MD, RU, TJ, TM), European (AT, BE, BG, CH, CY, CZ, DE, DK, EE, ES, FI, FR, GB, GR, HU, IE, IS, IT, LT, LU, LV, MC, NL, PL, PT, RO, SE, SI, SK, TR), OAPI (BF, BJ, CF, CG, CI, CM, GA, GN, GQ, GW, ML, MR, NE, SN, TD, TG).

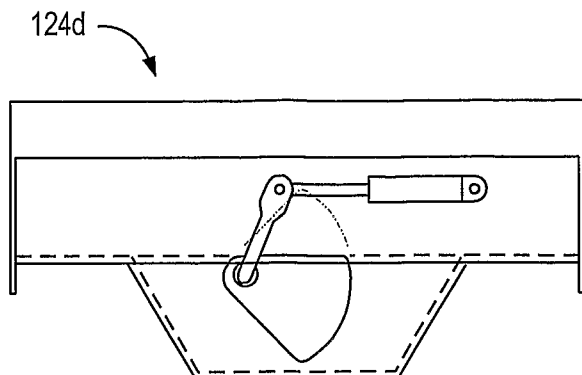
Published:

- with international search report
- before the expiration of the time limit for amending the claims and to be republished in the event of receipt of amendments

(88) Date of publication of the international search report:
18 May 2007

For two-letter codes and other abbreviations, refer to the "Guidance Notes on Codes and Abbreviations" appearing at the beginning of each regular issue of the PCT Gazette.

(54) Title: WATER AMUSEMENT PARK CONVEYORS



(57) Abstract: An amusement ride system and method are described. In some embodiments, an amusement ride system may be generally related to water amusement attractions and rides. Further, the disclosure generally relates to water-powered rides and to a system and method in which participants may be more involved in a water attraction. An amusement ride system may include system for conveying a participant from a first source of water to a second source of water. The system may include one or more fluid jets. The fluid jets may function to produce a fluid stream having a predetermined velocity which is selectively greater, less than, or the same as a velocity of a participant at each of the fluid jet locations and are oriented tangentially with respect to the surface of the source of water so as to contact a participant and/or participant vehicle. An amusement ride system may include a system for controlling a participant flow rate through a

multi path water amusement ride system. The system may include at least one gate mechanism which functions, upon activation, to inhibit a participant from entering one or more path choices. An amusement ride system may include a system for facilitating entry of a participant on a floatation device. The system may include one or more portions of water including a depth of water which allows a participant to more easily enter a floatation device.

WO 2006/057970 A3

INTERNATIONAL SEARCH REPORT

International application No.

PCT/US05/42185

A. CLASSIFICATION OF SUBJECT MATTER

IPC: **A63G 21/18**(2006.01)
A63G 21/00(2006.01)

USPC: 472/18

According to International Patent Classification (IPC) or to both national classification and IPC

B. FIELDS SEARCHED

Minimum documentation searched (classification system followed by classification symbols)
U.S. : 472/128, 117, 129, 136, 3; 104/69, 70.

Documentation searched other than minimum documentation to the extent that such documents are included in the fields searched

Electronic data base consulted during the international search (name of data base and, where practicable, search terms used)

C. DOCUMENTS CONSIDERED TO BE RELEVANT

Category *	Citation of document, with indication, where appropriate, of the relevant passages	Relevant to claim No.
X	US 5,453,054 A (LANGFORD) 26 September 1995 (26.09.1995), see the entire document , note Figs. 2a, 2b, and 3.	2 and 3
X	US 5,704,294 A (VAN WINKLE et al), 06 January 1998 (06.01.1998), see the entire document	1, 6-9, 11-14, 21-24
---		-----
Y		10, 15-20
Y	US 6,758,231 B1 (LOCHTEFELD et al) 06 July 2004 (06.07.2004), see the entire document.	10, 15-20

Further documents are listed in the continuation of Box C.

See patent family annex.

* Special categories of cited documents:	"T"
"A" document defining the general state of the art which is not considered to be of particular relevance	later document published after the international filing date or priority date and not in conflict with the application but cited to understand the principle or theory underlying the invention
"E" earlier application or patent published on or after the international filing date	"X" document of particular relevance; the claimed invention cannot be considered novel or cannot be considered to involve an inventive step when the document is taken alone
"L" document which may throw doubts on priority claim(s) or which is cited to establish the publication date of another citation or other special reason (as specified)	"Y" document of particular relevance; the claimed invention cannot be considered to involve an inventive step when the document is combined with one or more other such documents, such combination being obvious to a person skilled in the art
"O" document referring to an oral disclosure, use, exhibition or other means	"&" document member of the same patent family
"P" document published prior to the international filing date but later than the priority date claimed	

Date of the actual completion of the international search 16 February 2007 (16.02.2007)	Date of mailing of the international search report 23 MAR 2007
Name and mailing address of the ISA/US Mail Stop PCT, Attn: ISA/US Commissioner for Patents P.O. Box 1450 Alexandria, Virginia 22313-1450 Facsimile No. (571) 273-3201	Authorized officer <i>Kien T. Nguyen</i> Telephone No. (571) 272-3750