



US00D496462S1

(12) **United States Design Patent** (10) **Patent No.:** **US D496,462 S**
Walters et al. (45) **Date of Patent:** **** Sep. 21, 2004**

(54) **MEDICAL EXAMINATION TABLE**

(75) Inventors: **Richard S. Walters**, Cedar Grove, WI (US); **Jack A. DeBaal**, Plymouth, WI (US); **Vanessa B. Parrish**, Milwaukee, WI (US); **Michael J. Marchant**, Franklin, WI (US); **Paul J. Siepmann**, Hartland, WI (US)

(73) Assignee: **The Brewer Company, LLC**, Menomonee Falls, WI (US)

(**) Term: **14 Years**

(21) Appl. No.: **29/190,920**

(22) Filed: **Sep. 29, 2003**

(51) **LOC (7) Cl.** **24-01**

(52) **U.S. Cl.** **D24/183**

(58) **Field of Search** D24/183; 312/209; 5/600, 607, 610-612, 616, 617; 297/325, 327; D6/335, 367

(56) **References Cited**

U.S. PATENT DOCUMENTS

217,646 A	7/1879	Sherer
487,625 A	12/1892	Kales
488,649 A	12/1892	Daggett
542,060 A	7/1895	Lentz
1,039,708 A	10/1912	Denquer
1,650,327 A	11/1927	Conrad
1,684,889 A	9/1928	Russ
1,891,629 A	12/1932	Wagner
1,967,422 A	7/1934	Nadelson
2,120,732 A	6/1938	Comper et al.
2,267,973 A	12/1941	Demcak
2,272,819 A	2/1942	Poetsch et al.
2,306,031 A	12/1942	Anderson et al.
2,538,993 A	1/1951	Travis
2,565,784 A	8/1951	Sheean
2,605,151 A	7/1952	Shampaine
2,606,801 A	8/1952	Shampaine
D170,305 S	9/1953	Claus

(List continued on next page.)

Primary Examiner—Stella Reid

(74) *Attorney, Agent, or Firm*—Ryan Kromholz & Manion, S.C.

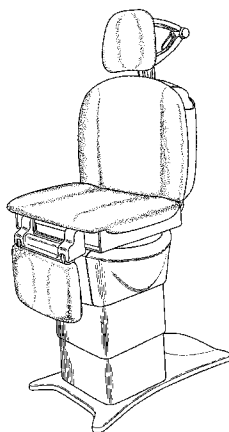
(57) **CLAIM**

The ornamental design for a medical examination table, as shown and described.

DESCRIPTION

FIG. 1 is a perspective view of a medical examination table, showing our new design;
 FIG. 2 is a right side elevation view thereof, the left side being a mirror image thereof;
 FIG. 3 is a front elevation thereof;
 FIG. 4 is a rear elevation view thereof;
 FIG. 5 is a top plan view thereof;
 FIG. 6 is a bottom plant view thereof;
 FIG. 7 is a perspective view of the medical examination table in a first alternate position;
 FIG. 8 is a perspective view of the medical examination table in a second alternate position
 FIG. 9 is a right side elevation view thereof, the left side being a mirror image thereof;
 FIG. 10 is a front elevation view thereof;
 FIG. 11 is a rear elevation view thereof;
 FIG. 12 is a top plan view thereof;
 FIG. 13 is a bottom plan view thereof;
 FIG. 14 is a perspective view of the medical examination table in a third alternate position;
 FIG. 15 is a perspective view of the medical examination table in a fourth alternate position;
 FIG. 16 is a right side elevation view thereof, the left side being a mirror image thereof;
 FIG. 17 is a front elevation view thereof;
 FIG. 18 is a rear elevation view thereof;
 FIG. 19 is a top plan view thereof;
 FIG. 20 is a bottom plan view thereof; and,
 FIG. 21 is a perspective view of the medical examination table in a fifth alternate position.

1 Claim, 15 Drawing Sheets



US D496,462 S

U.S. PATENT DOCUMENTS

2,652,887 A	9/1953	Fitzgerald	4,586,398 A	5/1986	Yindra
2,659,902 A	11/1953	Fitzgerald et al.	4,586,762 A	5/1986	Kennedy et al.
2,679,445 A	5/1954	Roehm	4,589,124 A	5/1986	Ruiz
2,682,671 A	7/1954	Faure	4,589,642 A	5/1986	Schnelle et al.
2,788,529 A	4/1957	Moritzacky et al.	4,600,248 A	7/1986	Pflieger
2,941,215 A	6/1960	Johnson	4,602,756 A	7/1986	Chatfield
3,016,275 A	1/1962	Grant	4,606,575 A	8/1986	Kodet
3,041,121 A	6/1962	Comper	4,608,812 A	9/1986	Willson
D202,963 S	* 11/1965	Dailey D24/183	D286,481 S	11/1986	Case et al.
3,215,834 A	11/1965	Tayman	4,653,129 A	3/1987	Kuck et al.
D204,222 S	3/1966	Dailey	4,665,574 A	5/1987	Filips et al.
3,281,141 A	10/1966	Smiley et al.	4,667,354 A	5/1987	Carey, Jr. et al.
D207,081 S	2/1967	Katzfey et al.	4,667,605 A	5/1987	Bastian
D207,483 S	4/1967	Dottinger	4,691,393 A	9/1987	Kuck
3,334,951 A	8/1967	Douglas, Jr. et al.	4,700,916 A	10/1987	Bastian et al.
3,348,893 A	10/1967	Katzfey et al.	4,716,840 A	1/1988	Tringali et al.
3,355,163 A	11/1967	Leinassar	4,717,102 A	1/1988	Pflieger
3,409,287 A	11/1968	Chervenka	4,732,089 A	3/1988	Mueller
3,411,766 A	11/1968	Lanigan	4,732,430 A	3/1988	Byrns
3,413,663 A	12/1968	Swann	4,750,305 A	6/1988	Bastian
3,452,977 A	7/1969	Ryman	4,752,977 A	6/1988	Smith et al.
3,499,529 A	3/1970	Katzfey et al.	4,761,000 A	8/1988	Fisher et al.
3,638,935 A	2/1972	Lelugas et al.	D297,597 S	9/1988	Simpkins et al.
3,658,317 A	4/1972	Bartlett et al.	4,796,846 A	1/1989	Meier et al.
3,724,004 A	4/1973	Behrens	4,805,365 A	2/1989	Bastian
3,754,749 A	8/1973	Lyon et al.	D300,657 S	4/1989	Simpkins et al.
3,814,414 A	6/1974	Chapa	4,819,569 A	4/1989	Bastian et al.
3,851,870 A	12/1974	Cook	4,821,350 A	4/1989	Feldt
3,868,103 A	2/1975	Pageot et al.	D300,997 S	5/1989	Simpkins et al.
3,905,591 A	9/1975	Schorr et al.	4,826,117 A	5/1989	Bastian et al.
3,944,205 A	3/1976	Mueller	4,826,221 A	5/1989	Harmon
3,967,128 A	6/1976	Smulewicz	D301,925 S	6/1989	Simpkins et al.
3,997,792 A	12/1976	Conrad et al.	4,846,431 A	7/1989	Pflieger
4,003,704 A	1/1977	Zurolo et al.	4,852,941 A	8/1989	Jones
4,034,972 A	7/1977	Peterson	4,858,260 A	8/1989	Failor et al.
D245,287 S	8/1977	Damico et al.	4,865,303 A	9/1989	Hall
4,045,078 A	8/1977	Shine	4,872,657 A	10/1989	Lussi
4,057,240 A	11/1977	Damico et al.	4,905,266 A	2/1990	Kuck et al.
4,076,230 A	2/1978	Pike	4,913,413 A	4/1990	Raab
D250,043 S	10/1978	Shine	4,916,725 A	4/1990	Quinter et al.
4,148,472 A	4/1979	Rais et al.	4,937,902 A	7/1990	Ceike Shapiro
4,168,099 A	9/1979	Jacobs et al.	4,956,592 A	9/1990	Schulte et al.
4,180,002 A	12/1979	Huempfer	4,958,816 A	9/1990	Chaney et al.
4,183,596 A	1/1980	Greene et al.	4,961,610 A	10/1990	Reeder et al.
4,186,917 A	2/1980	Rais et al.	4,966,351 A	10/1990	Klepacki
4,221,371 A	9/1980	Kuphal	4,968,013 A	11/1990	Kuck
4,284,268 A	8/1981	Gauthier	4,973,034 A	11/1990	Michele
4,287,422 A	9/1981	Kuphal et al.	4,995,067 A	2/1991	Royster et al.
D263,777 S	4/1982	Thompson	4,996,731 A	3/1991	Kruyt
4,322,899 A	4/1982	Clune	5,005,667 A	4/1991	Anderson
D265,241 S	6/1982	Patterson	5,016,268 A	5/1991	Lotman
D265,242 S	6/1982	Patterson	D319,158 S	8/1991	Jones et al.
D266,023 S	8/1982	McLachlan	5,037,053 A	8/1991	Fox et al.
D266,765 S	11/1982	Clune	D321,097 S	10/1991	Jones et al.
4,383,351 A	5/1983	Fenwick	5,078,349 A	1/1992	Smith
4,407,687 A	10/1983	Mitchell	5,081,808 A	1/1992	Bastian et al.
4,464,780 A	8/1984	Ruiz	5,084,927 A	2/1992	Parkevich
4,501,414 A	2/1985	Mason et al.	D326,381 S	5/1992	Heiligenthal et al.
4,506,872 A	3/1985	Westerberg et al.	5,157,787 A	10/1992	Donnellan et al.
4,508,387 A	4/1985	Gilbert et al.	D330,771 S	11/1992	Chaney et al.
D278,668 S	5/1985	Simpkins	D330,813 S	11/1992	Spitzer et al.
4,516,805 A	5/1985	Leeper et al.	5,166,968 A	11/1992	Morse
4,529,185 A	7/1985	Gutierrez	5,203,135 A	4/1993	Bastian
4,540,165 A	9/1985	Green et al.	D335,409 S	5/1993	Kellems
4,545,628 A	10/1985	Richey	5,208,928 A	5/1993	Kuck et al.
4,547,092 A	10/1985	Vetter et al.	5,223,229 A	6/1993	Brucker
4,552,403 A	11/1985	Yindra	5,231,719 A	8/1993	Schnelle
4,557,471 A	12/1985	Pazzini	D341,737 S	11/1993	Shepherd
4,558,857 A	12/1985	Heller	5,269,326 A	12/1993	Verrier
D282,398 S	1/1986	Yindra	5,279,011 A	1/1994	Schnelle
			D344,802 S	3/1994	Kuck et al.

US D496,462 S

D345,266 S	3/1994	Koguma	5,919,131 A	7/1999	Smoler et al.	
5,329,657 A	7/1994	Bartley et al.	5,924,960 A	7/1999	Cohen	
5,339,750 A	8/1994	Smies	5,926,876 A	7/1999	Haigh et al.	
5,345,632 A	9/1994	Langenaeken et al.	5,953,773 A	9/1999	Asada et al.	
5,369,825 A	12/1994	Reesby	D417,098 S	11/1999	Teufel et al.	
5,369,827 A	12/1994	Parke et al.	D417,571 S	12/1999	Teufel et al.	
5,403,549 A	4/1995	McNeil et al.	D418,225 S	12/1999	Simpkins et al.	
5,426,795 A	6/1995	Harty	6,023,800 A	2/2000	Stickley	
D365,224 S	12/1995	Pohlman	6,038,718 A	3/2000	Pennington et al.	
5,472,270 A	12/1995	Czarnecky et al.	6,073,284 A	6/2000	Borders	
5,496,105 A	3/1996	Czarnecky et al.	D428,629 S	7/2000	Cohen	
5,507,050 A	4/1996	Welner	6,101,652 A	8/2000	Matern, Jr.	
D370,572 S	6/1996	Lin	6,106,065 A	8/2000	Carroll	
5,528,782 A	6/1996	Pfeuffer et al.	6,115,978 A	9/2000	Bastian et al.	
5,538,215 A	7/1996	Hosey	6,131,214 A	10/2000	Moenning et al.	
5,564,662 A	10/1996	Lussi et al.	6,173,461 B1	1/2001	Alexander	
5,564,663 A	10/1996	Cook et al.	6,202,230 B1	3/2001	Borders	
5,565,834 A	10/1996	Hanley et al.	6,209,463 B1	4/2001	Koharchik et al.	
5,568,209 A	10/1996	Priester et al.	6,212,713 B1	4/2001	Kuck et al.	
5,568,817 A	10/1996	Harty	6,230,343 B1	5/2001	Buiskool et al.	
5,628,078 A	5/1997	Pennington et al.	6,240,579 B1	6/2001	Hanson et al.	
5,638,644 A	6/1997	Bastian	6,256,812 B1	7/2001	Bartow et al.	
5,645,313 A	7/1997	Best et al.	6,264,006 B1	7/2001	Hanson et al.	
5,655,238 A	8/1997	Stickley et al.	6,276,012 B2	8/2001	Borders	
5,660,405 A	8/1997	Campbell	6,289,537 B1	9/2001	Hopper et al.	
5,661,859 A	9/1997	Schaefer	6,295,671 B1	10/2001	Reesby et al.	
5,678,267 A	10/1997	Kinder	6,351,678 B1	2/2002	Borders	
5,680,957 A	10/1997	Liu	D458,780 S	6/2002	Siepmann et al.	
D386,634 S	11/1997	Daug	D461,899 S	8/2002	Siepmann et al.	
5,706,678 A	1/1998	Sasaki	D461,900 S	8/2002	Siepmann et al.	
5,754,997 A	5/1998	Lussi et al.	D462,674 S	9/2002	Siepmann et al.	
5,771,513 A	6/1998	Kirchgeorg et al.	D463,861 S	10/2002	Siepmann et al.	
5,781,943 A	7/1998	Moenning et al.	D473,312 S *	4/2003	Cook D24/183	
5,855,207 A	1/1999	Moenning et al.	6,550,084 B2	4/2003	Siepmann et al.	
5,860,899 A	1/1999	Rassman	6,568,008 B2	5/2003	Siepmann et al.	
D404,945 S	2/1999	Simpkins et al.	2001/0000363 A1	4/2001	Borders	
D408,537 S	4/1999	Stickley et al.	2002/0000008 A1	1/2002	Borders	
D408,538 S	4/1999	Simpkins et al.				
D408,539 S	4/1999	Simpkins				
5,913,773 A	6/1999	Cox				

* cited by examiner

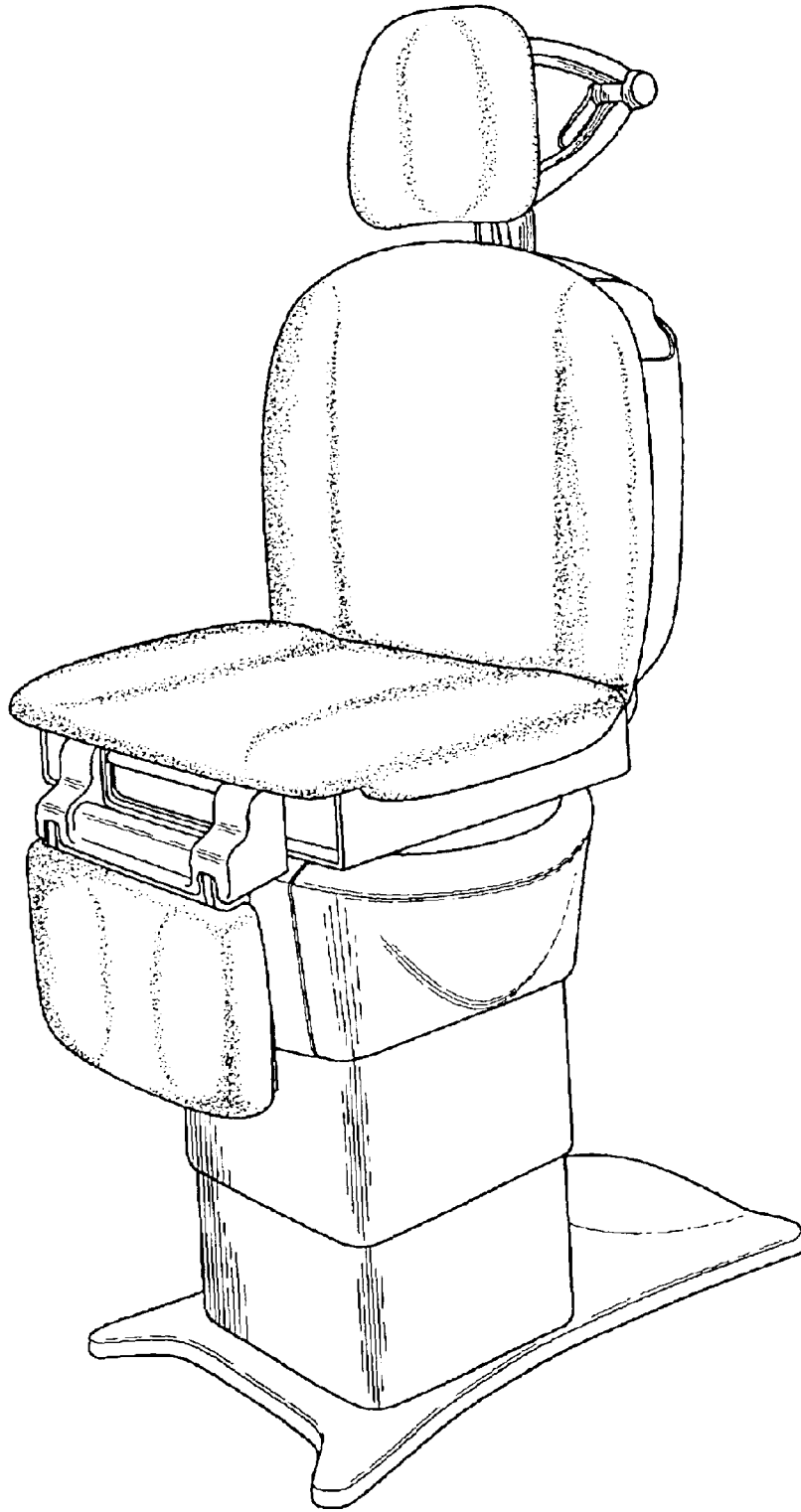


Fig. 1

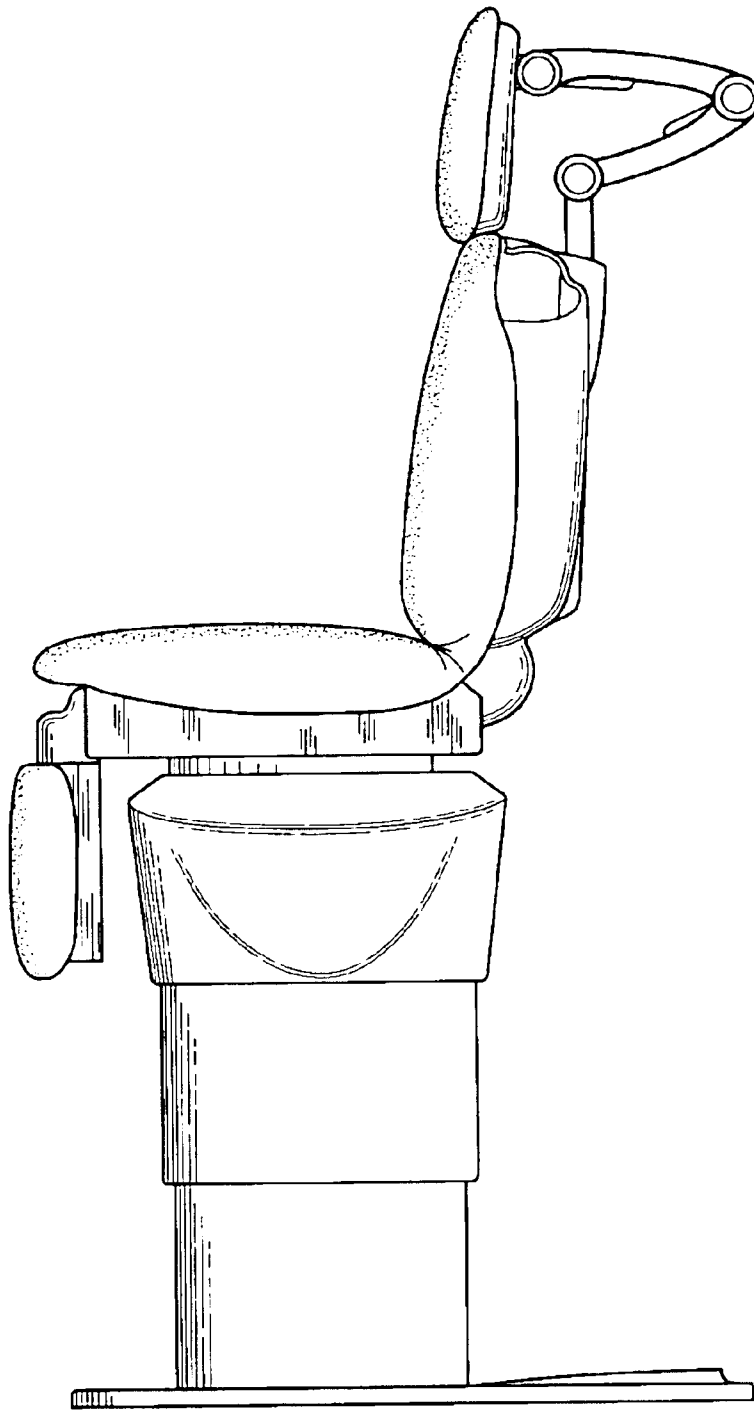


Fig. 2

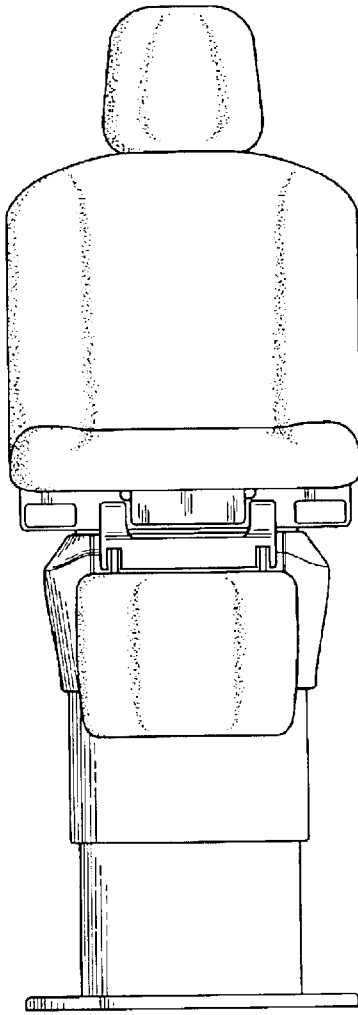


Fig. 3

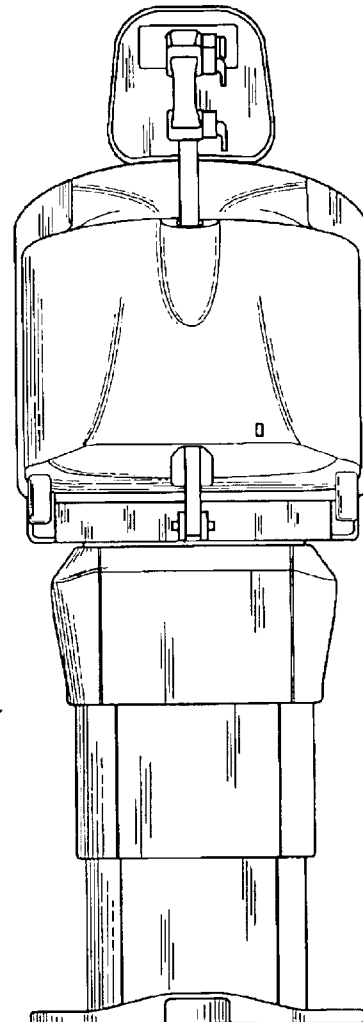


Fig. 4

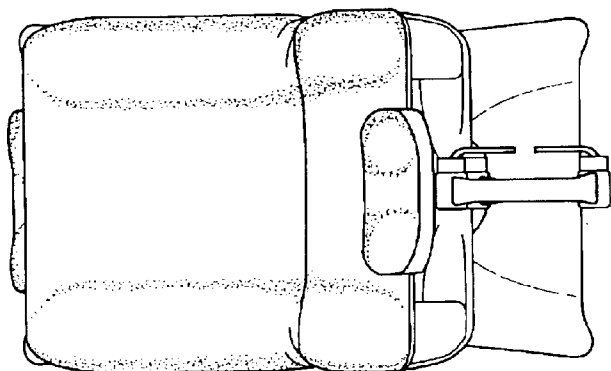


Fig. 5

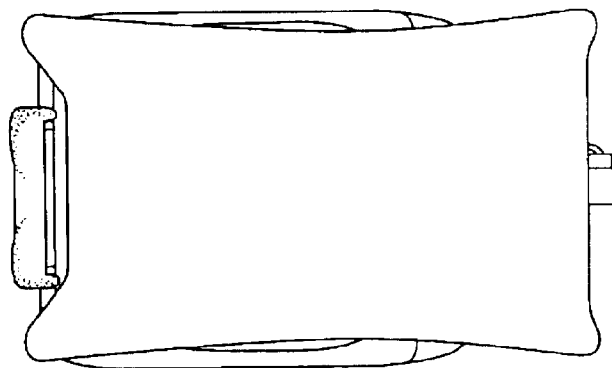


Fig. 6

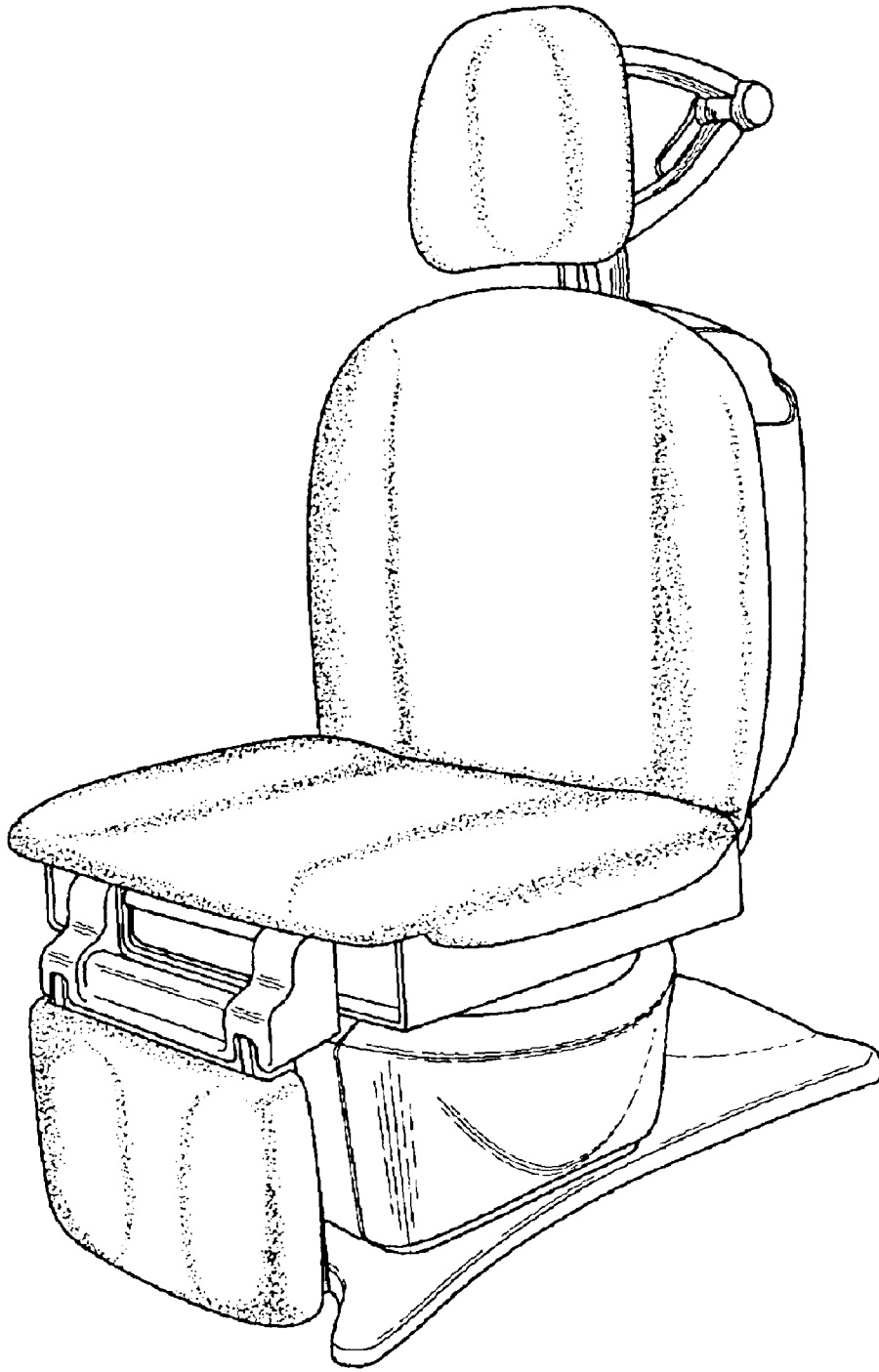


Fig. 7

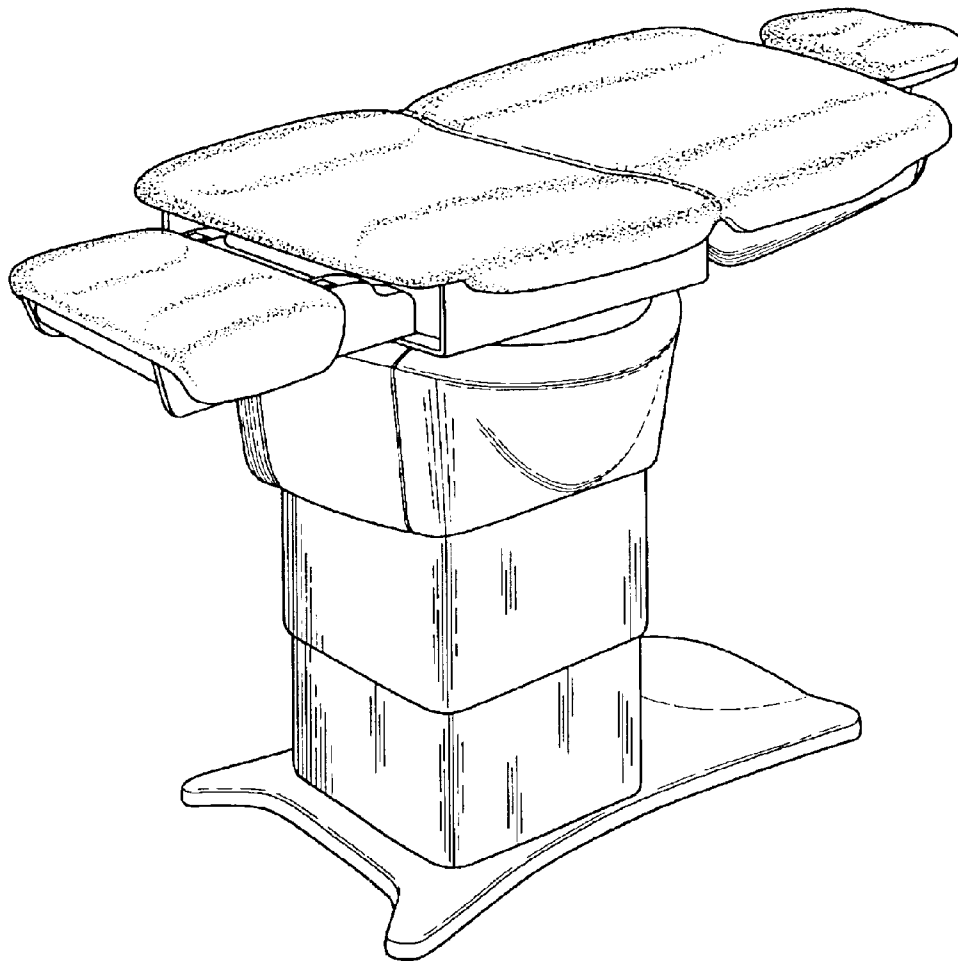


Fig. 8

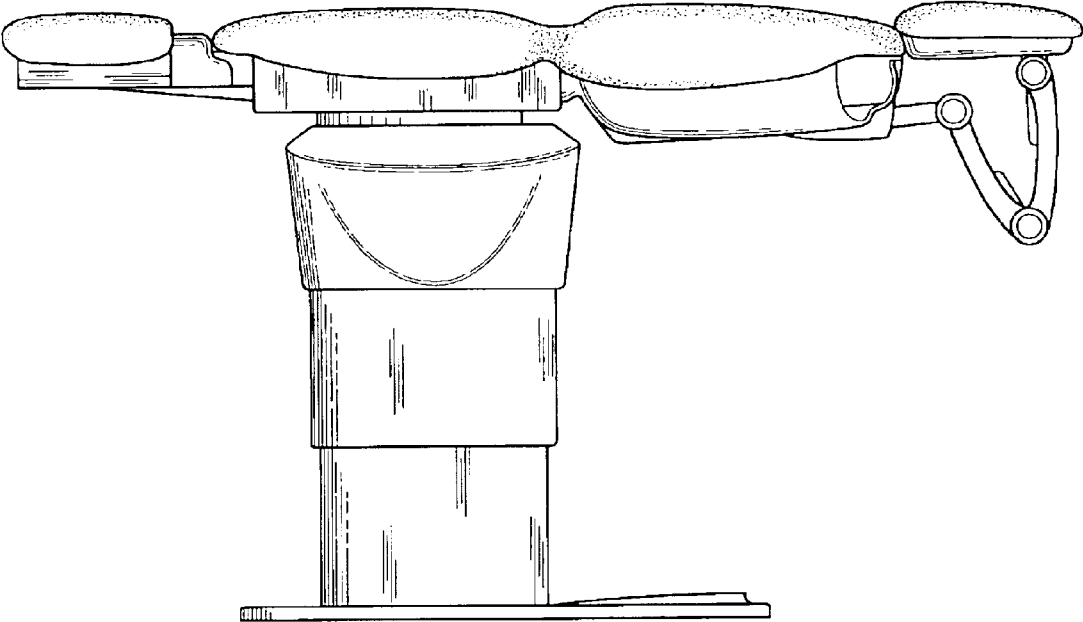


Fig. 9

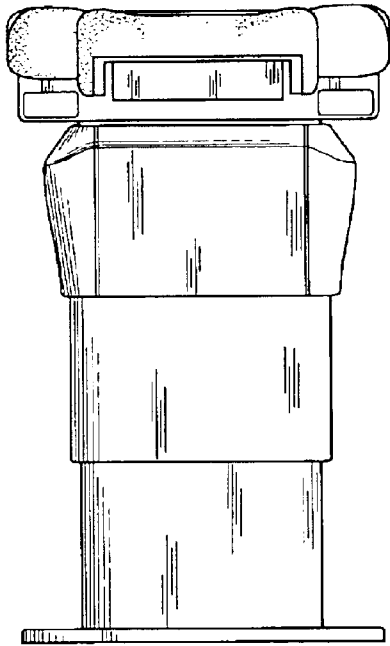


Fig. 10

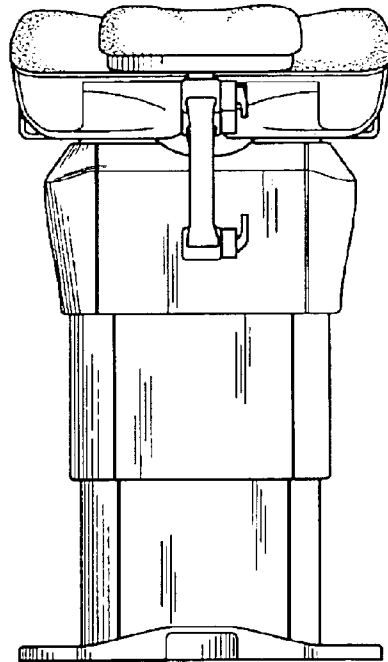


Fig. 11

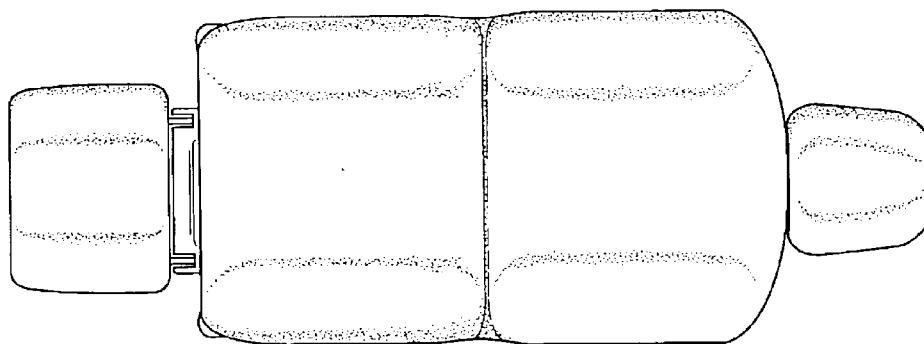


Fig. 12

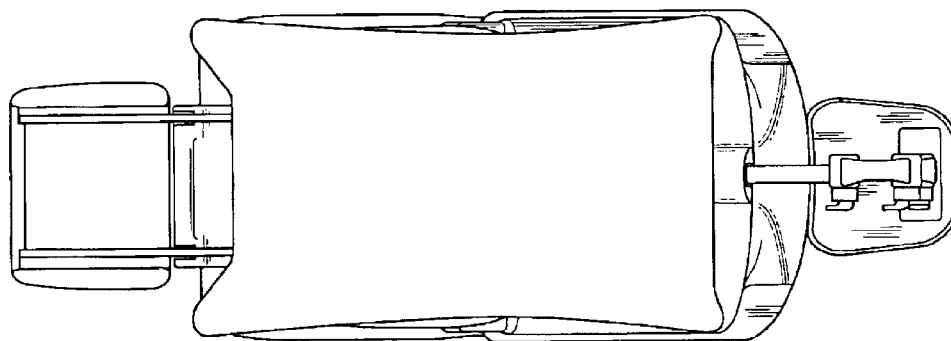


Fig. 13

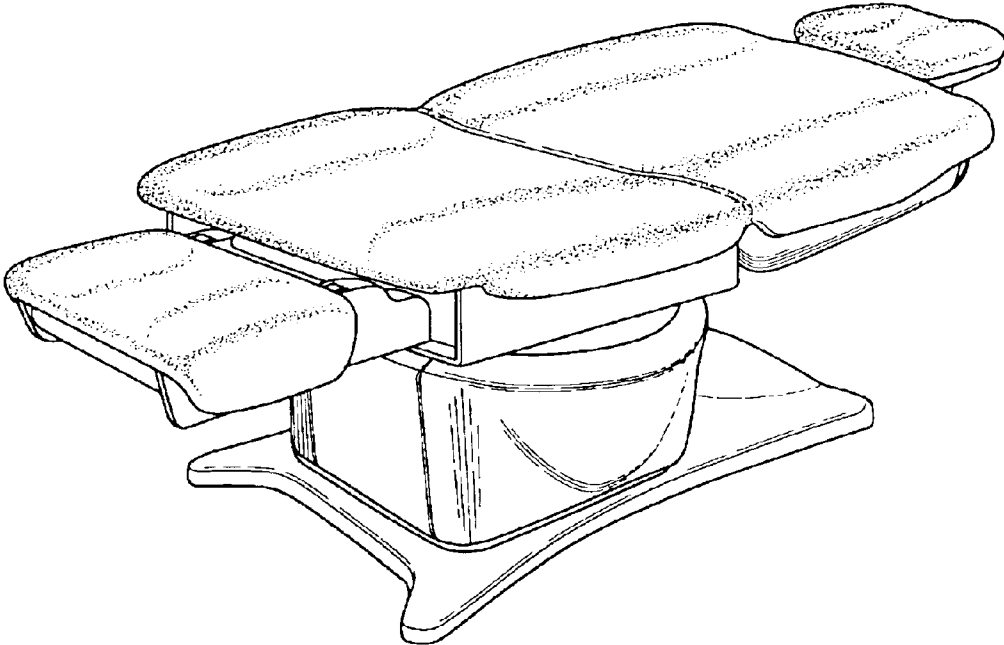


Fig. 14

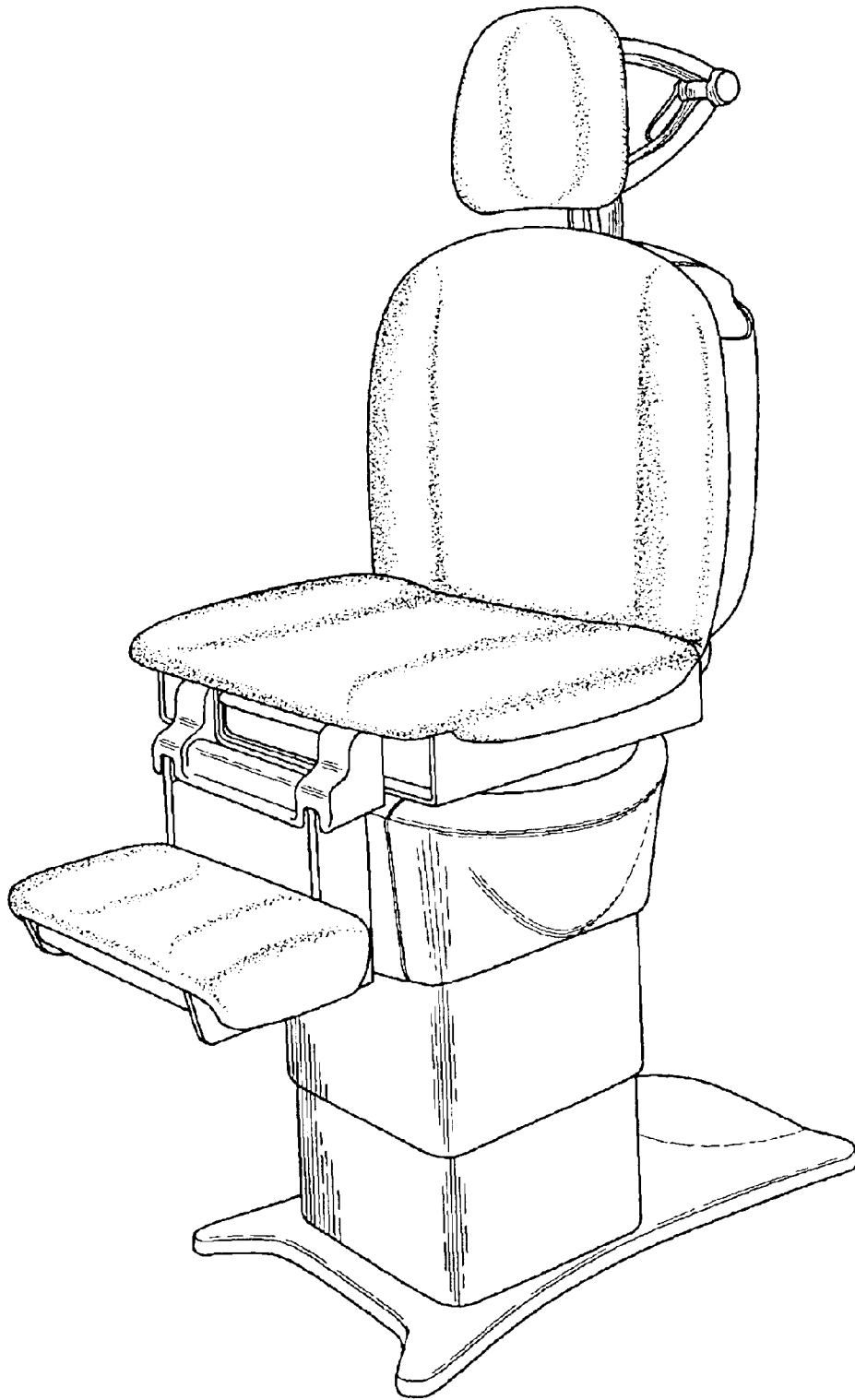


Fig. 15

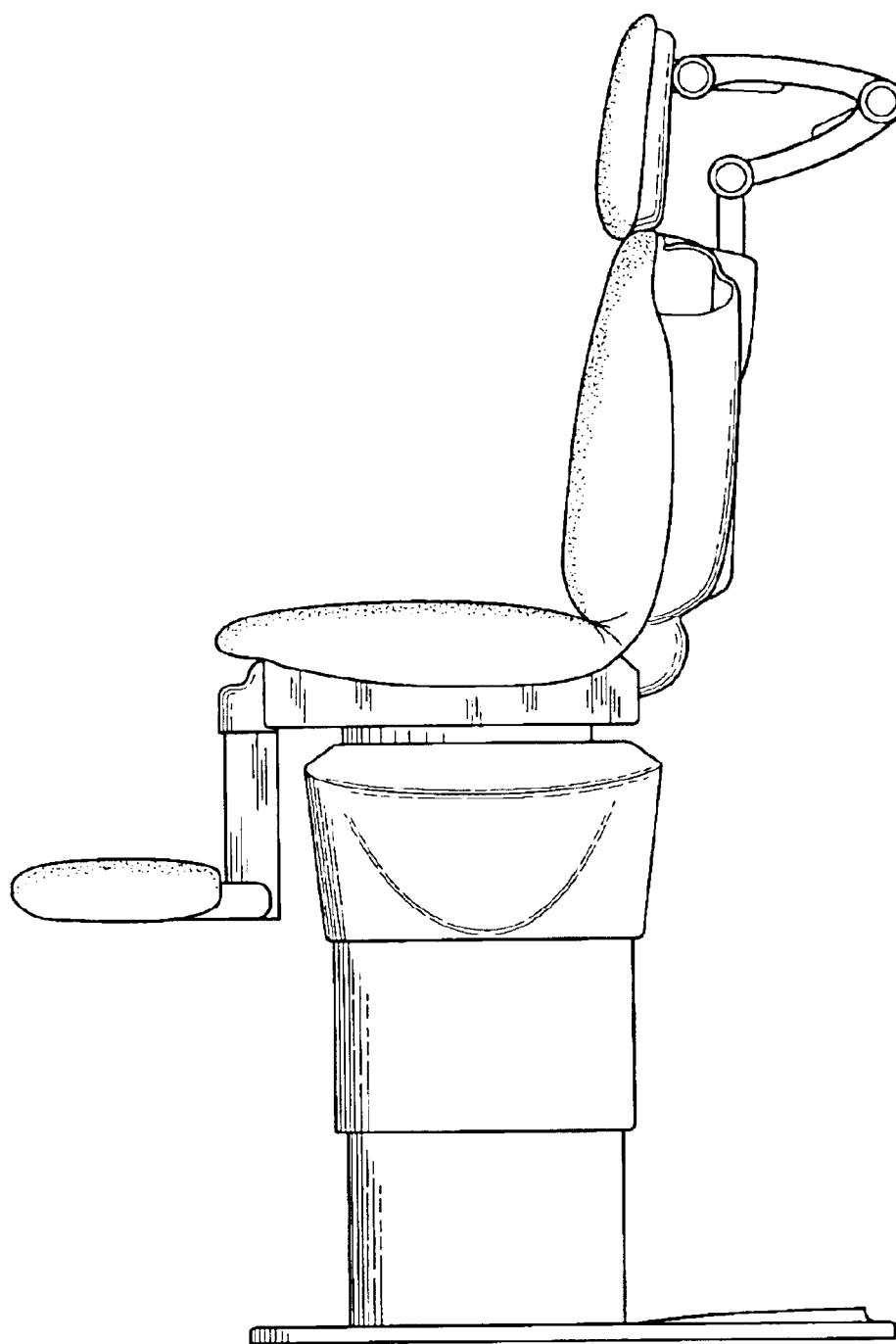


Fig. 16

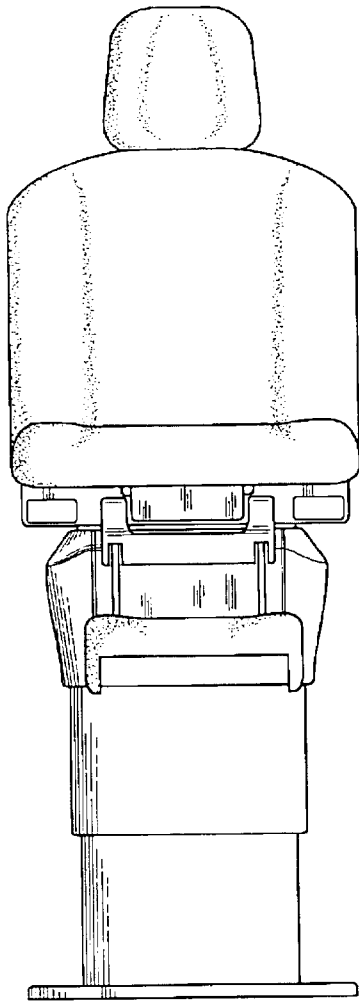


Fig. 17

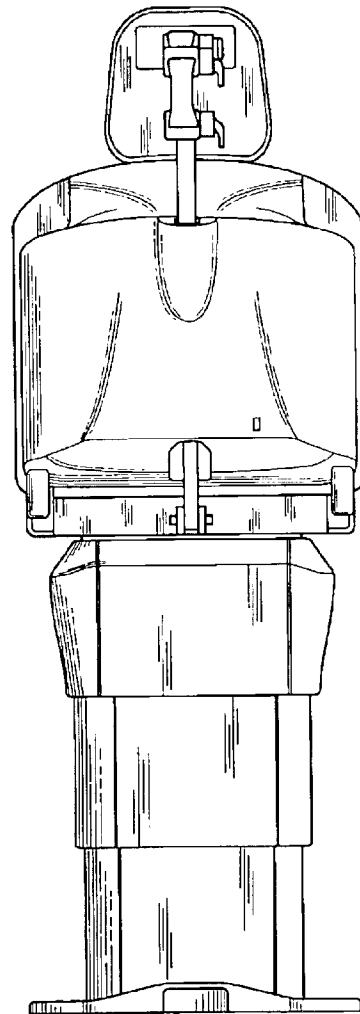


Fig. 18

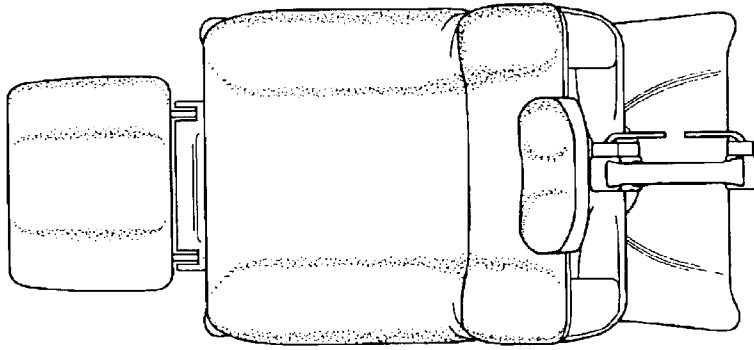


Fig. 19

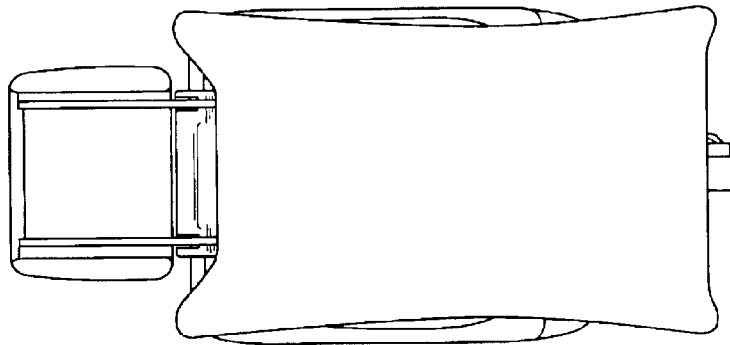


Fig. 20

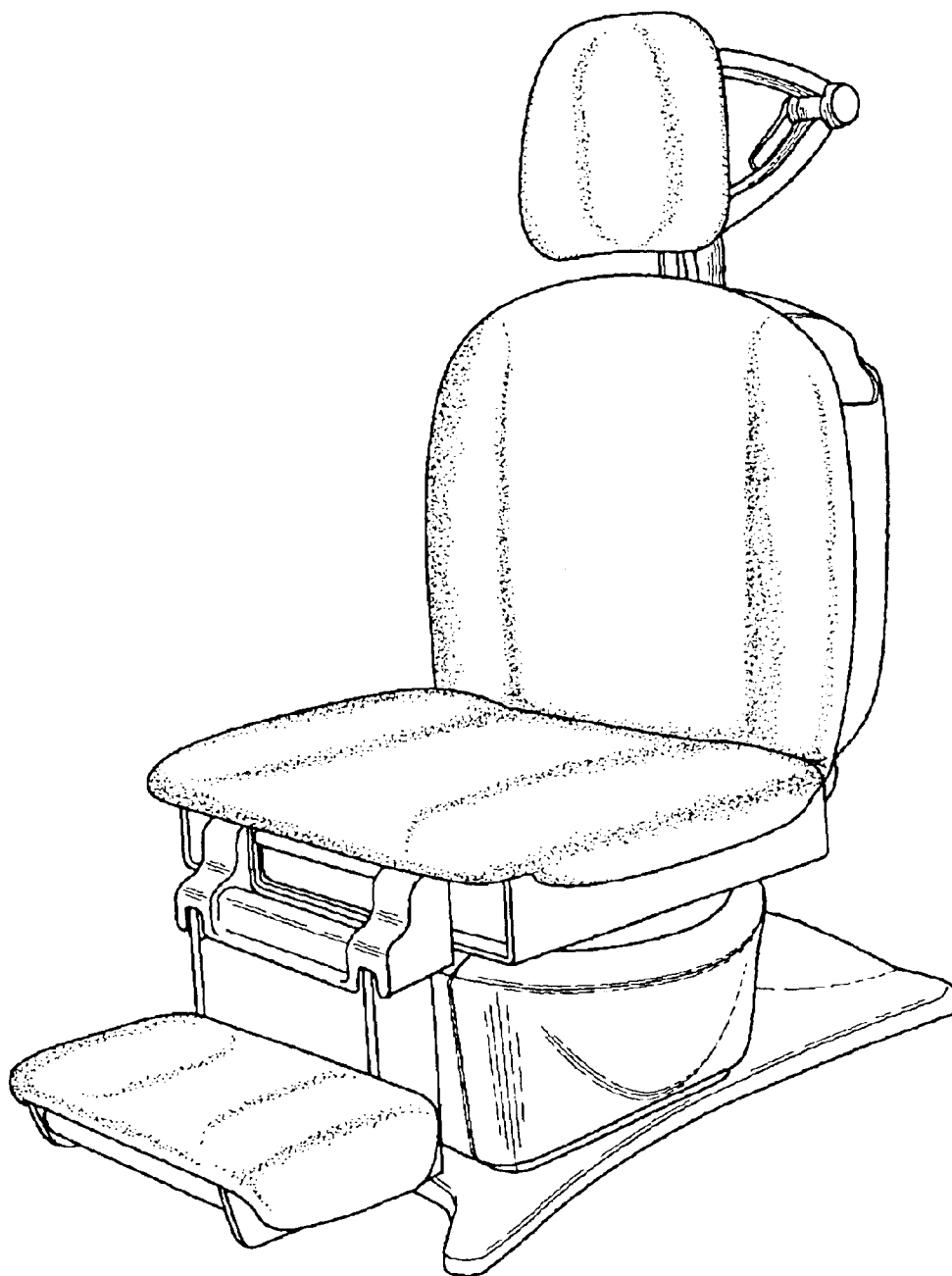


Fig. 21

UNITED STATES PATENT AND TRADEMARK OFFICE
CERTIFICATE OF CORRECTION

PATENT NO. : Des. 496,462 S
DATED : September 21, 2004
INVENTOR(S) : Richard S. Walters et al.

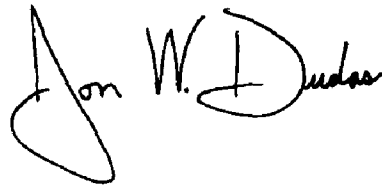
Page 1 of 1

It is certified that error appears in the above-identified patent and that said Letters Patent is hereby corrected as shown below:

Title page,
Item [57], **DESCRIPTION,**
FIG. 6, delete "plant" and substitute -- plan --.

Signed and Sealed this

Eleventh Day of January, 2005

A handwritten signature in black ink that reads "Jon W. Dudas". The signature is written in a cursive style with a large, looped initial "J".

JON W. DUDAS
Director of the United States Patent and Trademark Office