



US00D785117S

(12) **United States Design Patent**  
**Chen**

(10) **Patent No.:** **US D785,117 S**

(45) **Date of Patent:** **\*\* Apr. 25, 2017**

- (54) **TRAMPOLINE**
- (71) Applicant: **Samuel Chen**, Shanghai (CN)
- (72) Inventor: **Samuel Chen**, Shanghai (CN)
- (\*\*) Term: **15 Years**
- (21) Appl. No.: **29/551,764**
- (22) Filed: **Jan. 15, 2016**
- (51) **LOC (10) Cl.** ..... **21-02**
- (52) **U.S. Cl.**  
USPC ..... **D21/797**
- (58) **Field of Classification Search**  
USPC ..... D21/797, 668, 669, 834, 826; D6/716;  
482/27, 35, 29, 112, 33, 110, 148, 28, 77,  
482/147, 51; 297/452.18; 135/96, 117;  
D30/112; D25/1, 16, 22, 56; 446/220;  
473/469; 182/139, 224; 273/395, 402  
CPC ..... A63B 5/11; A63B 21/023; A63B 2208/12;  
A63B 71/022; A63B 2210/50  
See application file for complete search history.

- D630,285 S \* 1/2011 Hsiang ..... D21/797
- 7,883,446 B2 \* 2/2011 Lovley, II ..... A63B 5/11  
482/27
- 8,012,066 B1 \* 9/2011 Hsiang ..... A63B 5/11  
482/27
- D653,299 S \* 1/2012 Samuel ..... D21/797
- D664,228 S \* 7/2012 Hsiang ..... D21/797
- D684,233 S \* 6/2013 Yang ..... D21/797
- D712,497 S \* 9/2014 Yang ..... D21/797
- D717,899 S \* 11/2014 Chen ..... D21/797
- D718,827 S \* 12/2014 Chen ..... D21/797
- 9,084,908 B1 \* 7/2015 Chen ..... A63B 5/11
- 9,089,732 B2 \* 7/2015 Andon ..... A63B 5/11
- D755,914 S \* 5/2016 Andon ..... D21/797

(Continued)

**OTHER PUBLICATIONS**

Bounce Pro 14ft by NG Channel dated Jun. 31, 2016. Found online [Dec. 21, 2016] <https://www.youtube.com/watch?v=tQV-Yp001wU>.\*

(Continued)

*Primary Examiner* — Robert M Spear  
*Assistant Examiner* — Ryan Harvey  
(74) *Attorney, Agent, or Firm* — Clement Cheng

(56) **References Cited**

**U.S. PATENT DOCUMENTS**

- 4,900,011 A \* 2/1990 Nolet ..... A47D 13/063  
482/29
- 6,053,845 A \* 4/2000 Publicover ..... A63B 5/11  
482/27
- 6,607,468 B1 \* 8/2003 Nichols, Jr. .... A63B 5/11  
482/27
- D570,947 S \* 6/2008 Horne ..... D21/797
- 7,481,740 B2 \* 1/2009 Colling ..... A63B 5/11  
482/27
- D614,715 S \* 4/2010 Mann ..... D21/797
- 7,794,360 B2 \* 9/2010 Publicover ..... A63B 5/11  
482/27
- 7,850,575 B1 \* 12/2010 Hsiang ..... A63B 71/022  
482/27
- 7,854,687 B2 \* 12/2010 Alexander ..... A63B 5/11  
482/27

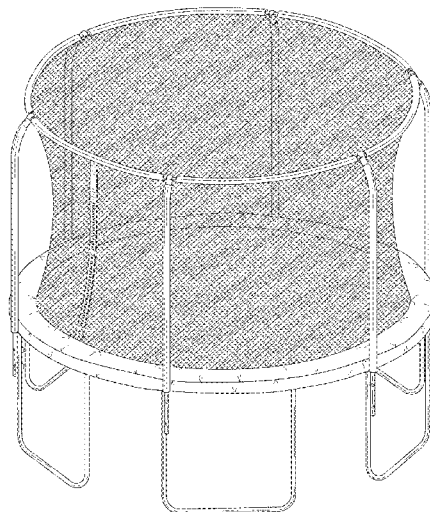
(57) **CLAIM**

The ornamental design for a trampoline, as shown and described.

**DESCRIPTION**

FIG. 1 is a perspective view.  
FIG. 2 is a front view.  
FIG. 3 is a rear view.  
FIG. 4 is a left side view.  
FIG. 5 is a right side view.  
FIG. 6 is a top view; and,  
FIG. 7 is a bottom view.  
The broken line showing of a zipper depicts environment and forms no part of the claim.

**1 Claim, 7 Drawing Sheets**



(56)

**References Cited**

U.S. PATENT DOCUMENTS

9,399,152 B2 \* 7/2016 Yang ..... A63B 5/11  
 2002/0137598 A1 \* 9/2002 Publicover ..... A63B 5/11  
 482/27  
 2004/0121883 A1 \* 6/2004 Publicover ..... A63B 5/11  
 482/29  
 2005/0079954 A1 \* 4/2005 Wang ..... A63B 5/11  
 482/27  
 2006/0189442 A1 \* 8/2006 Publicover ..... A63B 5/11  
 482/27  
 2007/0004559 A1 \* 1/2007 Alexander ..... A63B 5/11  
 482/27  
 2007/0004560 A1 \* 1/2007 Nelson ..... A63B 5/11  
 482/29  
 2008/0314427 A1 \* 12/2008 Lai ..... A63H 33/008  
 135/96  
 2012/0077642 A1 \* 3/2012 Chen ..... A63B 5/11  
 482/27  
 2012/0289379 A1 \* 11/2012 Stokes ..... A63B 5/11  
 482/27  
 2013/0005537 A1 \* 1/2013 Chen ..... A63B 5/11  
 482/27  
 2013/0072269 A1 \* 3/2013 Chen ..... A63B 5/11  
 463/7

2013/0109539 A1 \* 5/2013 Chen ..... A63B 5/11  
 482/27  
 2014/0038678 A1 \* 2/2014 Chen ..... A63B 69/0053  
 463/7  
 2014/0221162 A1 \* 8/2014 Chen ..... A63B 43/005  
 482/27  
 2014/0228176 A1 \* 8/2014 Miller ..... A63B 5/11  
 482/27  
 2014/0336005 A1 \* 11/2014 Miller ..... A63B 5/11  
 482/27  
 2015/0051049 A1 \* 2/2015 Andon ..... A63B 5/11  
 482/29  
 2015/0157889 A1 \* 6/2015 Miller ..... A63B 5/11  
 482/27  
 2016/0136473 A1 \* 5/2016 Chen ..... A63B 5/11  
 482/29

OTHER PUBLICATIONS

Skytric by Skytric dated Apr. 21, 2014. Found online [Dec. 21, 2016] [https://www.amazon.com/SKYTRIC-Trampoline-Enclosure-equipped-ASSEMBLE/product-reviews/B00H3LCH8W/ref=cm\\_cr\\_ar\\_p\\_d\\_paging\\_btm\\_4?ie=UTF8&reviewerType=avp\\_only\\_reviews&showViewpoints=1&sortBy=recent&pageNumber=4](https://www.amazon.com/SKYTRIC-Trampoline-Enclosure-equipped-ASSEMBLE/product-reviews/B00H3LCH8W/ref=cm_cr_ar_p_d_paging_btm_4?ie=UTF8&reviewerType=avp_only_reviews&showViewpoints=1&sortBy=recent&pageNumber=4).\*

\* cited by examiner

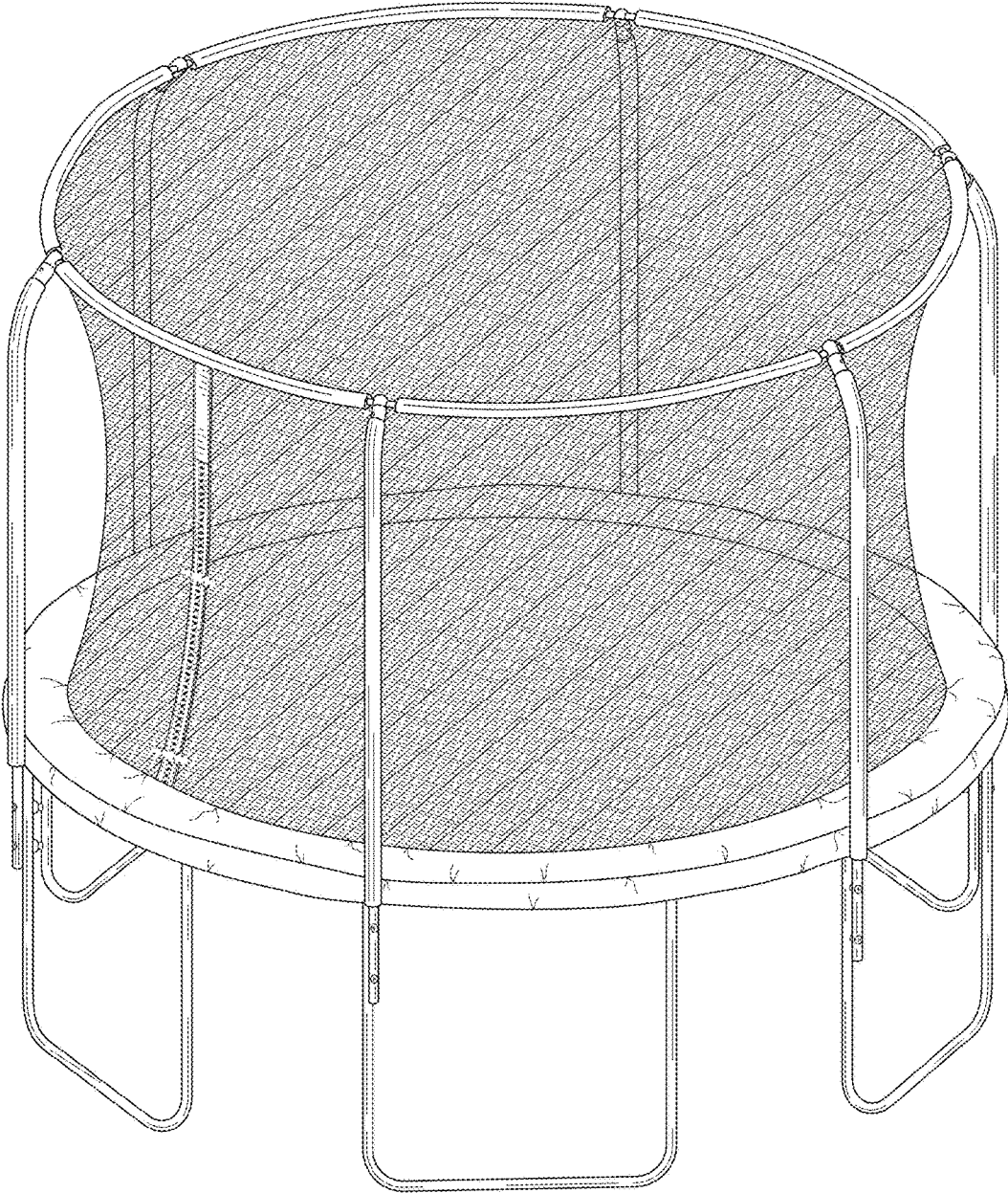


FIG. 1

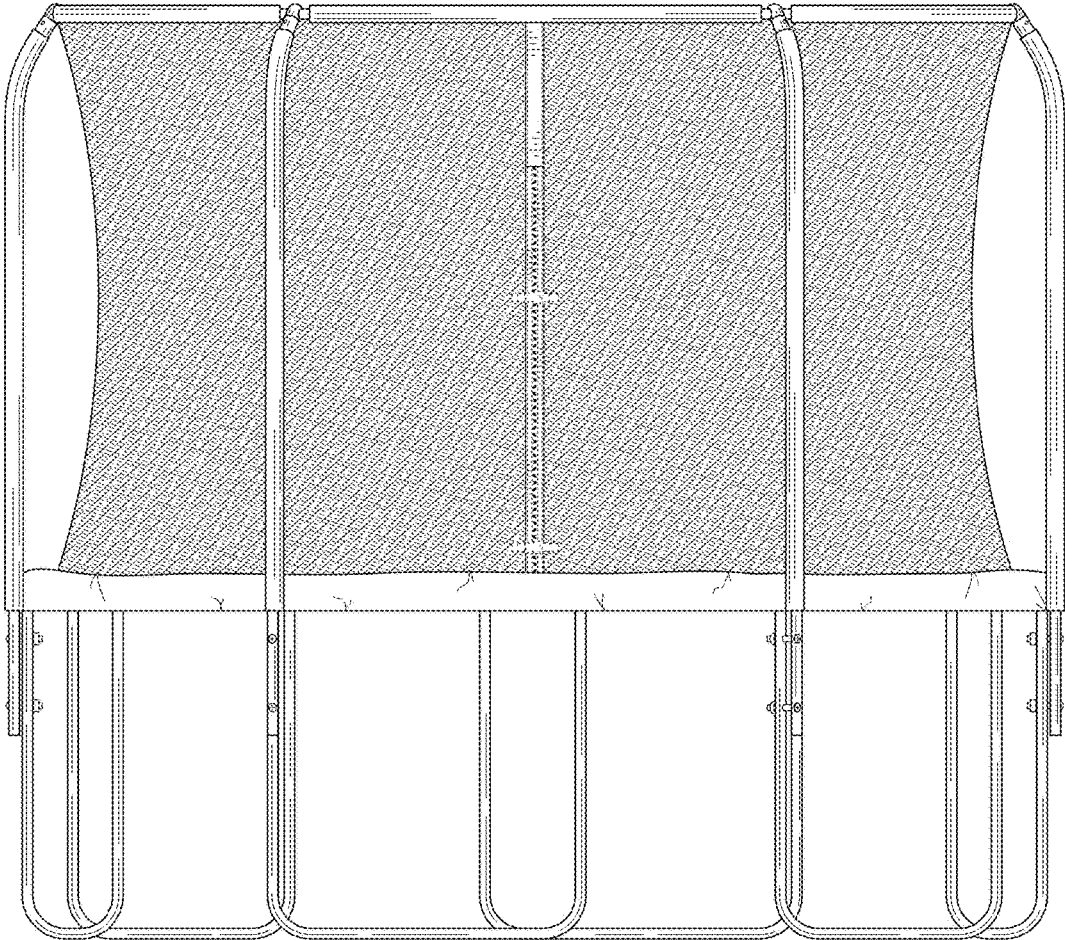


FIG. 2

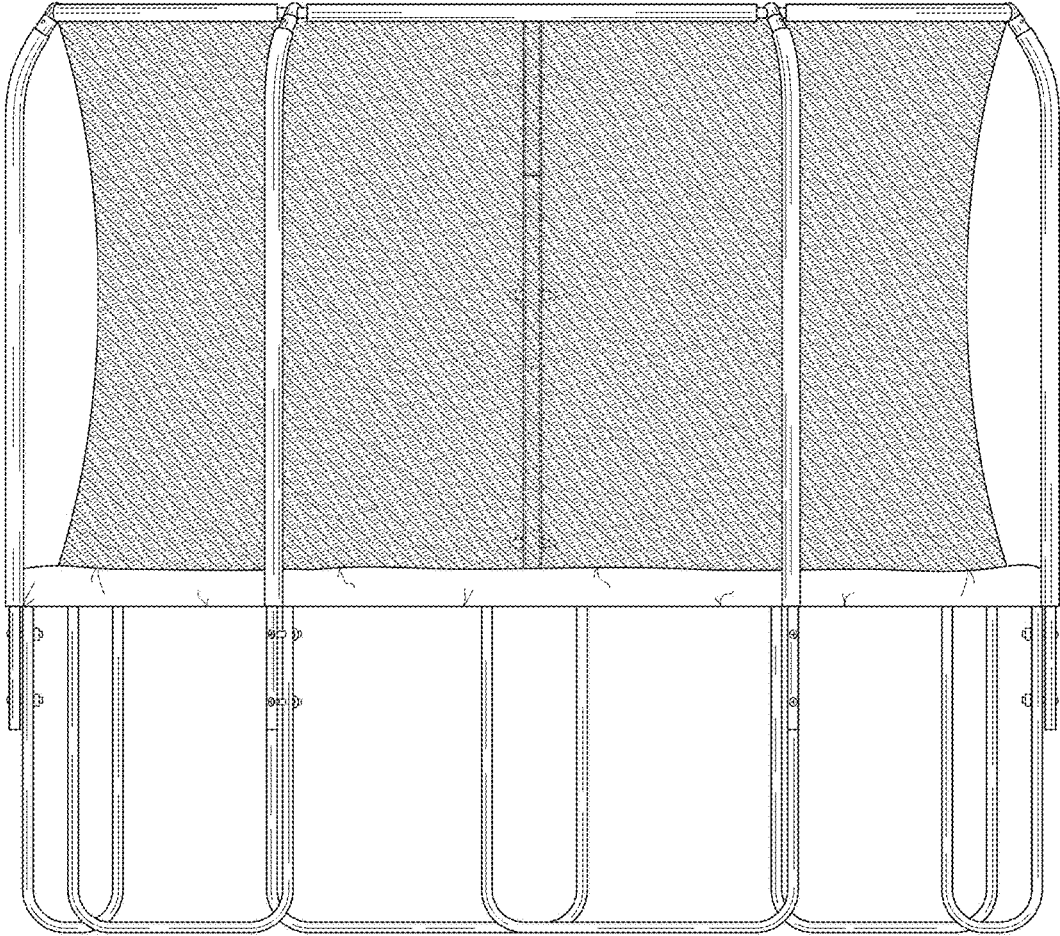


FIG. 3

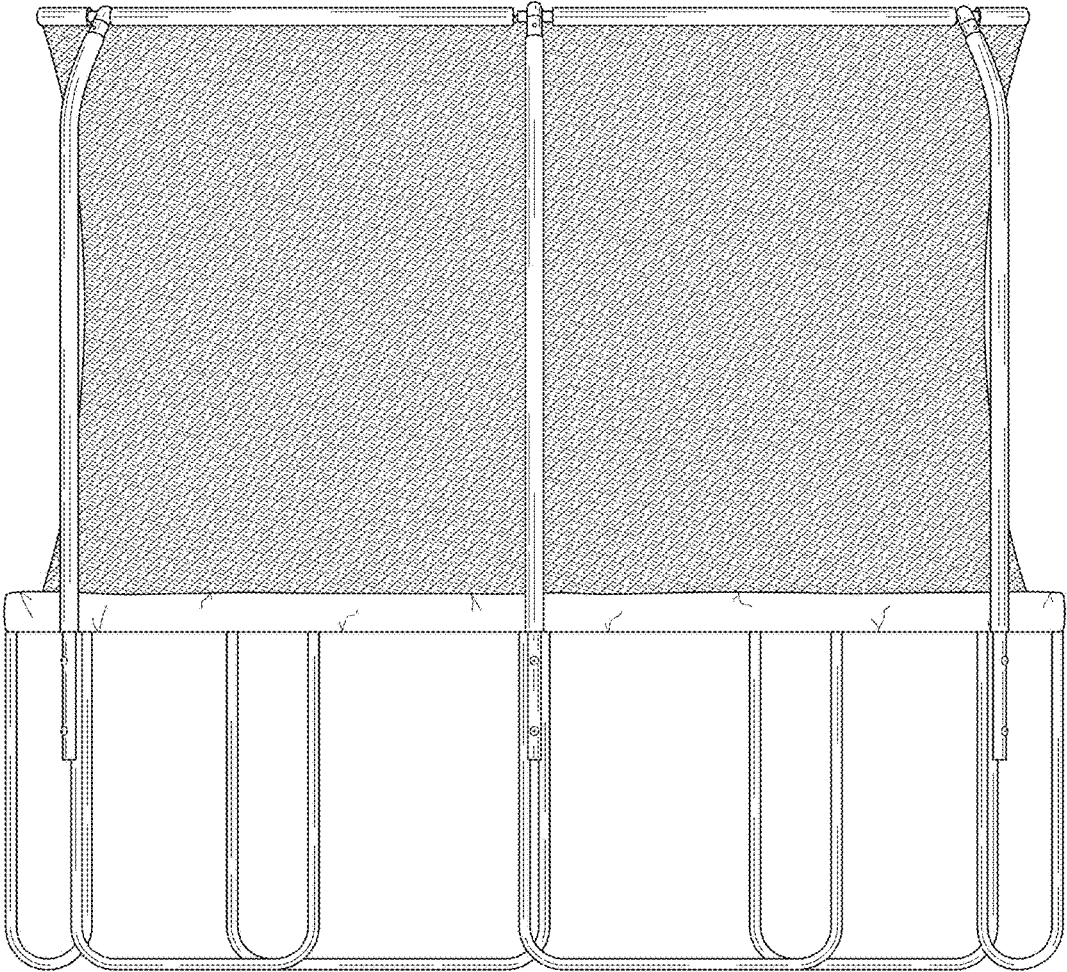


FIG. 4

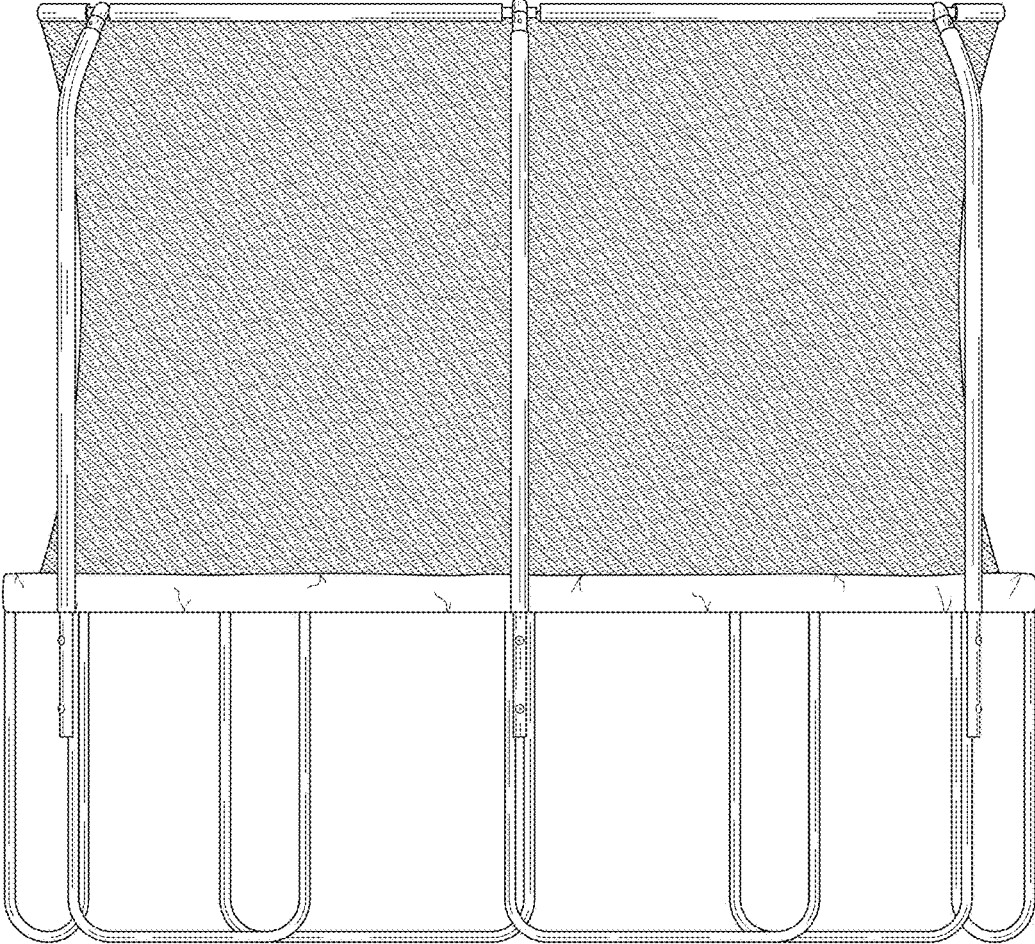


FIG. 5

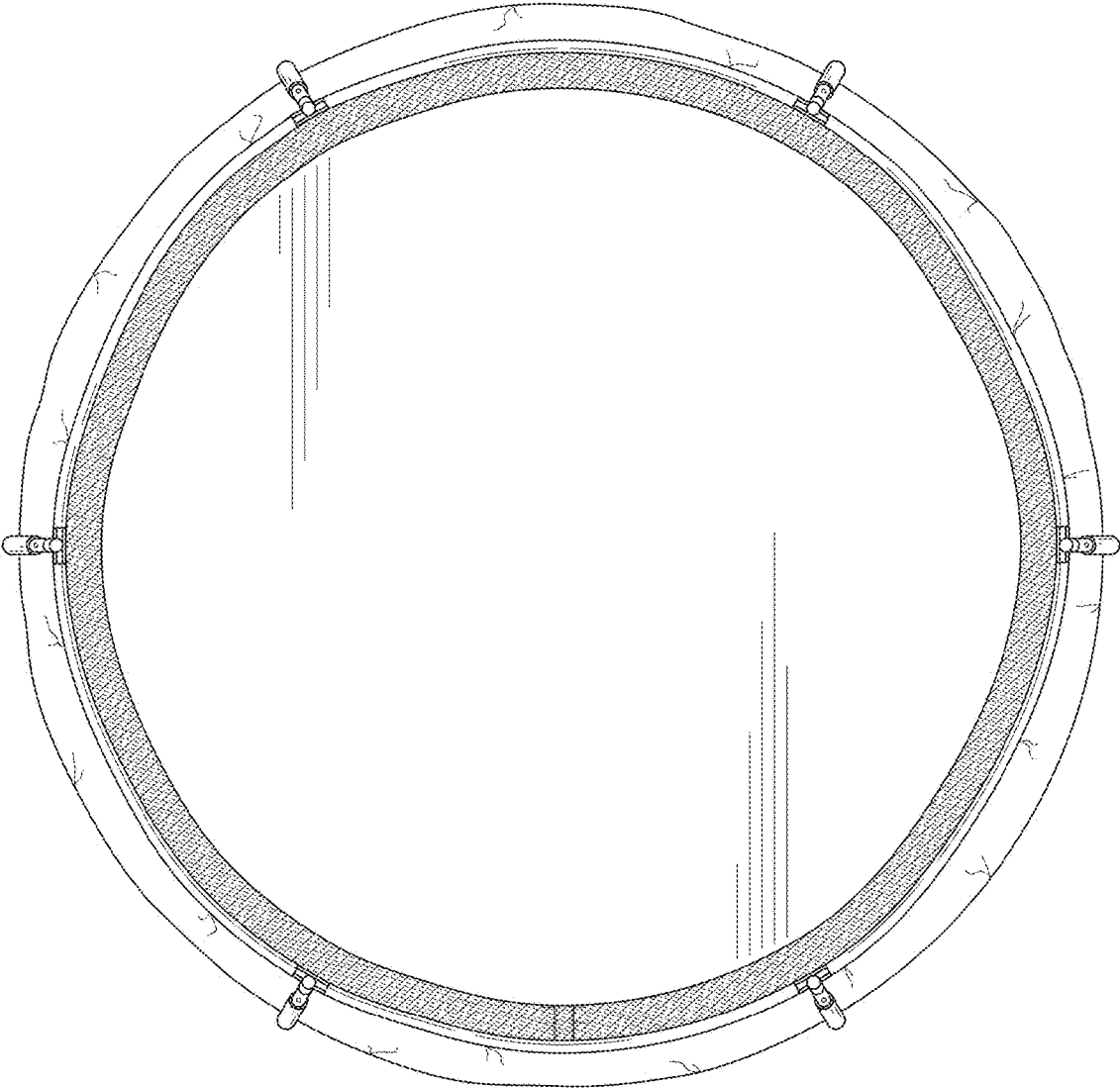


FIG. 6



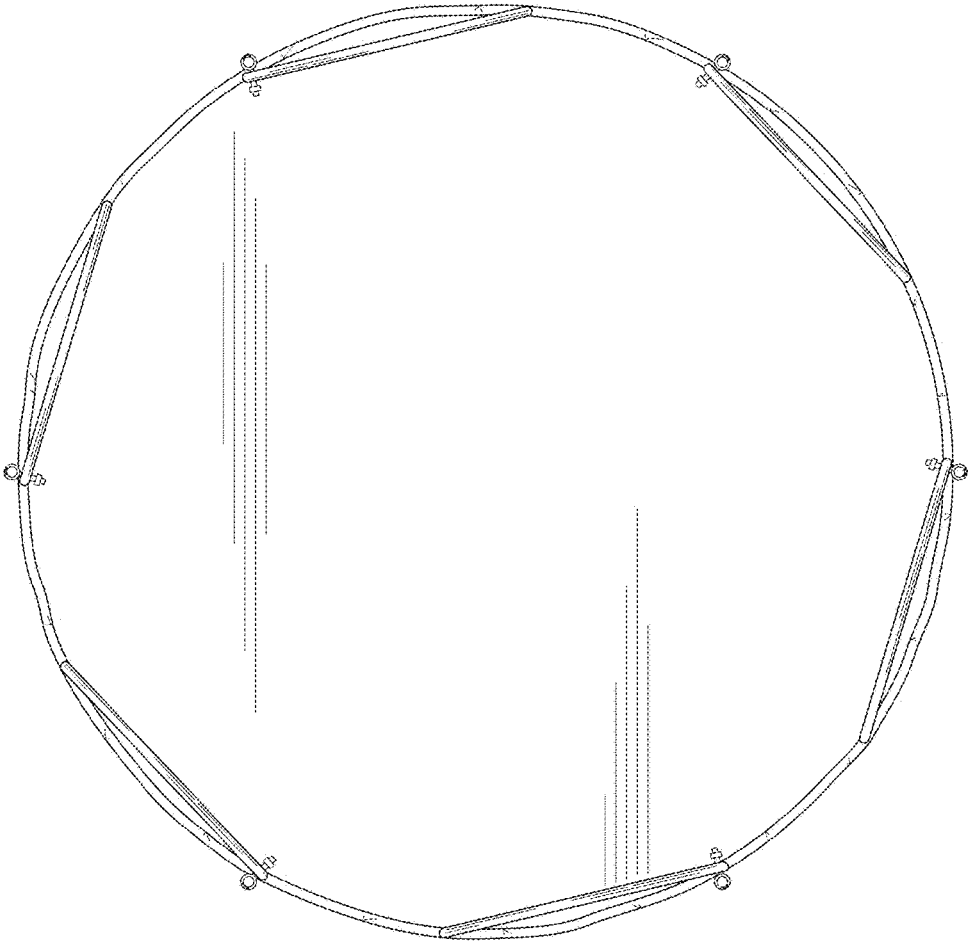


FIG. 7