

(19) World Intellectual Property Organization  
International Bureau



(43) International Publication Date  
24 March 2005 (24.03.2005)

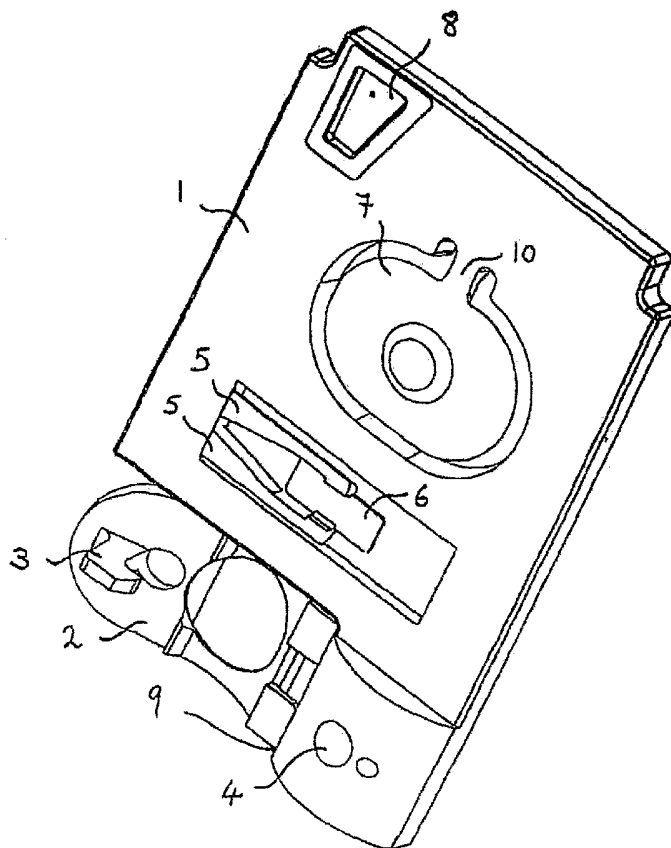
PCT

(10) International Publication Number  
**WO 2005/026690 A3**

- (51) **International Patent Classification:**  
*G01P 5/00* (2006.01)
- (21) **International Application Number:**  
PCT/US2004/029502
- (22) **International Filing Date:**  
9 September 2004 (09.09.2004)
- (25) **Filing Language:** English
- (26) **Publication Language:** English
- (30) **Priority Data:**  
10/658,528 10 September 2003 (10.09.2003) US
- (71) **Applicant (for all designated States except US):** I-STAT CORPORATION [US/US]; 104 Windsor Center Drive, East Windsor, NJ 08520 (US).
- (72) **Inventors; and**
- (75) **Inventors/Applicants (for US only):** MILLER, Cary, James [US/CA]; 93 Chickasaw Crescent, Ottawa, Ontario K2M 1N2 (CA). MACZUSZENKO, Andy [CA/CA]; 20 Rowse Crescent, Toronto, Ontario M9P 3L5 (CA).
- (74) **Agents:** VILLACORTA, Gilberto, M. et al.; Katten Muchin Zavis Rosenman, 1025 Thomas Jefferson Street, NW, East Lobby, Suite 700, Washington, DC 20007-5201 (US).
- (81) **Designated States (unless otherwise indicated, for every kind of national protection available):** AE, AG, AL, AM, AT, AU, AZ, BA, BB, BG, BR, BW, BY, BZ, CA, CH, CN, CO, CR, CU, CZ, DE, DK, DM, DZ, EC, EE, EG, ES, FI, GB, GD, GE, GH, GM, HR, HU, ID, IL, IN, IS, JP, KE, KG, KP, KR, KZ, LC, LK, LR, LS, LT, LU, LV, MA, MD, MG, MK, MN, MW, MX, MZ, NA, NI, NO, NZ, OM, PG, PH, PL, PT, RO, RU, SC, SD, SE, SG, SK, SL, SY, TJ, TM, TN, TR, TT, TZ, UA, UG, US, UZ, VC, VN, YU, ZA, ZM, ZW.
- (84) **Designated States (unless otherwise indicated, for every kind of regional protection available):** ARIPO (BW, GH, GM, KE, LS, MW, MZ, NA, SD, SL, SZ, TZ, UG, ZM, ZW), Eurasian (AM, AZ, BY, KG, KZ, MD, RU, TJ, TM), European (AT, BE, BG, CH, CY, CZ, DE, DK, EE, ES, FI, FR, GB, GR, HU, IE, IT, LU, MC, NL, PL, PT, RO, SE,

[Continued on next page]

(54) **Title:** IMMUNOASSAY DEVICE WITH IMPROVED SAMPLE CLOSURE



(57) **Abstract:** An apparatus and method for sealing a fluid sample collection device, comprising: loading a fluid sample collection device with a fluid sample, said device comprising a housing having at least one substantially planar surface that includes an orifice in fluid communication with an internal fluid sample holding chamber which terminates at an internal capillary stop; and slidably moving a sealing element over at least a portion of said substantially planar surface in a way that displaces any excess fluid sample away from the orifice, seals the fluid sample within said holding chamber, and inhibits the fluid sample from prematurely breaking through the internal capillary stop.

WO 2005/026690 A3



SI, SK, TR), OAPI (BF, BJ, CF, CG, CI, CM, GA, GN,  
GQ, GW, ML, MR, NE, SN, TD, TG).

(88) Date of publication of the international search report:  
7 December 2006

**Published:**

— with international search report

*For two-letter codes and other abbreviations, refer to the "Guidance Notes on Codes and Abbreviations" appearing at the beginning of each regular issue of the PCT Gazette.*

**INTERNATIONAL SEARCH REPORT**

International application No.

PCT/US04/29502

**A. CLASSIFICATION OF SUBJECT MATTER**  
 IPC: **G01P 5/00**( 2006.01)

USPC: 73/1.02  
 According to International Patent Classification (IPC) or to both national classification and IPC

**B. FIELDS SEARCHED**

Minimum documentation searched (classification system followed by classification symbols)  
 U.S. : 73/1.02

Documentation searched other than minimum documentation to the extent that such documents are included in the fields searched

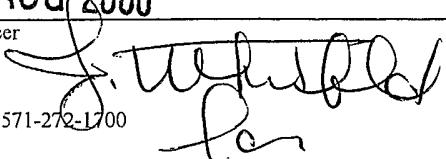
Electronic data base consulted during the international search (name of data base and, where practicable, search terms used)

**C. DOCUMENTS CONSIDERED TO BE RELEVANT**

Category *	Citation of document, with indication, where appropriate, of the relevant passages	Relevant to claim No.
X	US 5,821,399 A (ZELIN) 13 October 1998, see the entire reference	1-62
X	US 5,096,669 A (LAUKS et al) 17 March 1992, see the entire document	1-62

Further documents are listed in the continuation of Box C.  See patent family annex.

* Special categories of cited documents:	"T" later document published after the international filing date or priority date and not in conflict with the application but cited to understand the principle or theory underlying the invention.
"A" document defining the general state of the art which is not considered to be of particular relevance	"X" document of particular relevance; the claimed invention cannot be considered novel or cannot be considered to involve an inventive step when the document is taken alone
"E" earlier application or patent published on or after the international filing date	"Y" document of particular relevance; the claimed invention cannot be considered to involve an inventive step when the document is combined with one or more other such documents, such combination being obvious to a person skilled in the art
"L" document which may throw doubts on priority claim(s) or which is cited to establish the publication date of another citation or other special reason (as specified)	"&" document member of the same patent family
"O" document referring to an oral disclosure, use, exhibition or other means	
"P" document published prior to the international filing date but later than the priority date claimed	

Date of the actual completion of the international search 12 July 2006 (12.07.2006)	Date of mailing of the international search report <b>02 AUG 2006</b>
Name and mailing address of the ISA/US Mail Stop PCT. Attn: ISA/US Commissioner for Patents P.O. Box 1450 Alexandria, Virginia 22313-1450 Facsimile No. (571) 273-3201	Authorized officer Jill Warden  Telephone No. 571-272-1700