



US00D687504S

(12) **United States Design Patent**  
**Stokke et al.**

(10) **Patent No.:** **US D687,504 S**

(45) **Date of Patent:** **\*\* Aug. 6, 2013**

(54) **GOLF CLUB HOSEL SLEEVE**

(71) Applicant: **Karsten Manufacturing Corporation**,  
Phoenix, AZ (US)

(72) Inventors: **Ryan M. Stokke**, Phoenix, AZ (US);  
**Marty R. Jertson**, Phoenix, AZ (US)

(73) Assignee: **Karsten Manufacturing Corporation**,  
Phoenix, AZ (US)

(\*\*) Term: **14 Years**

(21) Appl. No.: **29/451,863**

(22) Filed: **Apr. 9, 2013**

**Related U.S. Application Data**

(63) Continuation-in-part of application No. 13/429,319,  
filed on Mar. 24, 2012.

(51) **LOC (9) Cl.** ..... **21-02**

(52) **U.S. Cl.**  
USPC ..... **D21/759**

(58) **Field of Classification Search**  
USPC . D21/759, 789, 733, 752, 753; 473/305-312,  
473/343-346, 324-331  
See application file for complete search history.

(56) **References Cited**

**U.S. PATENT DOCUMENTS**

1,540,559 A	6/1925	Murphy
1,610,802 A	12/1926	McNair
1,623,523 A	4/1927	Bourke
1,665,811 A	4/1928	Hadden
1,918,583 A	7/1933	Bear
2,027,452 A	1/1936	Rusing
2,051,961 A	8/1936	Mears
2,067,556 A	1/1937	Wettlaufer
2,175,598 A	10/1939	Fedak
2,219,670 A	10/1940	Wettlaufer

2,425,808 A	8/1947	Jay
2,644,689 A	7/1953	Putnam
2,962,286 A	11/1960	Brouwer
3,170,691 A	2/1965	Pritchard
3,176,987 A	4/1965	Johnston
3,206,206 A	9/1965	Santosuosso
3,330,601 A	7/1967	Proctor
3,524,646 A	8/1970	Wheeler
3,601,399 A	8/1971	Agens et al.
3,625,513 A	12/1971	Ballmer

(Continued)

**OTHER PUBLICATIONS**

John A. Solheim et al., "Golf Club with Hosel Inserts and Methods of Manufacturing Golf Clubs with Hosel Inserts," U.S. Appl. No. 13/795,653, filed Mar. 12, 2013.

*Primary Examiner* — Mitchell Siegel

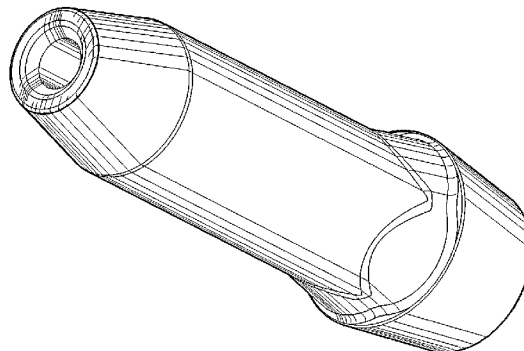
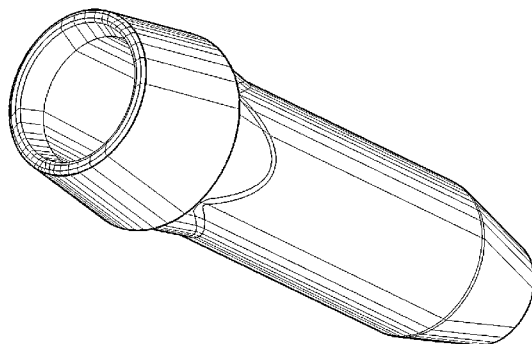
(57) **CLAIM**

The ornamental design for a golf club hosel sleeve, as shown and described.

**DESCRIPTION**

FIG. 1 is a top perspective view of a golf club hosel sleeve; FIG. 2 is a bottom perspective view of the golf club hosel sleeve of FIG. 1; FIG. 3 is a front elevational view of the golf club hosel sleeve of FIG. 1; FIG. 4 is a rear elevational view of the golf club hosel sleeve of FIG. 1; FIG. 5 is a top view of the golf club hosel sleeve of FIG. 1; FIG. 6 is a bottom view of the golf club hosel sleeve of FIG. 1; FIG. 7 is a left side view of the golf club hosel sleeve of FIG. 1; and, FIG. 8 is a right side view of the golf club hosel sleeve of FIG. 1.

**1 Claim, 3 Drawing Sheets**



US D687,504 S

U.S. PATENT DOCUMENTS						
3,685,135	A	8/1972	Letters	D583,000	S *	12/2008 Evans et al. .... D21/759
3,840,231	A	10/1974	Moore	D583,001	S *	12/2008 Evans et al. .... D21/759
3,907,446	A	9/1975	Leslie	D583,002	S *	12/2008 Evans et al. .... D21/759
3,941,390	A	3/1976	Hussey	D583,890	S *	12/2008 DeMille et al. .... D21/759
3,984,103	A	10/1976	Nix	D583,891	S *	12/2008 DeMille et al. .... D21/759
D276,836	S	12/1984	Cook	7,465,239	B2	12/2008 Hocknell et al.
4,664,382	A	5/1987	Palmer et al.	D586,417	S *	2/2009 Hall et al. .... D21/759
D298,447	S	11/1988	Cook	D587,770	S *	3/2009 Evans et al. .... D21/759
4,815,740	A	3/1989	Williams et al.	D588,219	S *	3/2009 Evans et al. .... D21/759
4,852,782	A	8/1989	Wu et al.	D588,660	S *	3/2009 Evans et al. .... D21/759
4,854,582	A	8/1989	Yamada	D588,663	S *	3/2009 Lee ..... D21/759
4,884,808	A	12/1989	Retzer	D589,577	S *	3/2009 Evans et al. .... D21/759
4,892,316	A	1/1990	Langert et al.	D590,036	S *	4/2009 Evans et al. .... D21/759
D309,488	S	7/1990	Langert	D590,466	S *	4/2009 Hall et al. .... D21/759
4,943,059	A	7/1990	Morell	D590,467	S *	4/2009 Cackett et al. .... D21/759
4,948,132	A	8/1990	Wharton	D590,468	S *	4/2009 Evans et al. .... D21/759
4,995,609	A	2/1991	Parente et al.	D590,904	S *	4/2009 Evans et al. .... D21/759
5,039,098	A	8/1991	Pelz	D590,905	S *	4/2009 Demille et al. .... D21/759
5,042,806	A	8/1991	Helmstetter	D590,906	S *	4/2009 Cackett et al. .... D21/759
5,067,711	A	11/1991	Parente et al.	D591,375	S *	4/2009 Evans et al. .... D21/759
5,067,715	A	11/1991	Schmidt et al.	D591,376	S *	4/2009 Evans et al. .... D21/759
5,149,091	A	9/1992	Okumoto et al.	D591,377	S *	4/2009 Evans et al. .... D21/759
5,163,682	A	11/1992	Schmidt et al.	D591,378	S *	4/2009 Hocknell et al. .... D21/759
5,165,688	A	11/1992	Schmidt et al.	D591,380	S *	4/2009 Evans et al. .... D21/759
5,180,166	A	1/1993	Schmidt et al.	7,530,900	B2	5/2009 Holt et al.
5,183,264	A	2/1993	Lanctot	7,553,240	B2	6/2009 Burnett et al.
5,204,046	A	4/1993	Schmidt	7,578,749	B2	8/2009 Hocknell et al.
5,222,734	A	6/1993	Parente et al.	7,601,075	B2	10/2009 Cole et al.
5,240,252	A	8/1993	Schmidt et al.	D614,712	S *	4/2010 Toulon et al. .... D21/759
5,273,280	A	12/1993	Lo	7,699,717	B2	4/2010 Morris et al.
5,275,399	A	1/1994	Schmidt et al.	7,722,475	B2	5/2010 Thomas et al.
5,282,625	A	2/1994	Schmidt et al.	7,846,037	B2	12/2010 Burnett et al.
D345,775	S	4/1994	Poincenot et al.	7,874,934	B2	1/2011 Soracco et al.
5,301,946	A	4/1994	Schmidt et al.	7,878,921	B2	2/2011 Bennett et al.
5,308,062	A	5/1994	Hogan	7,909,706	B2	3/2011 Cole
5,314,184	A	5/1994	Schmidt et al.	7,931,542	B2	4/2011 Kusumoto
5,318,300	A	6/1994	Schmidt et al.	7,955,182	B2	6/2011 Thomas et al.
5,320,347	A	6/1994	Parente et al.	7,963,855	B2	6/2011 Sander et al.
5,330,187	A	7/1994	Schmidt et al.	7,980,959	B2	7/2011 Morris et al.
5,335,914	A	8/1994	Long	7,997,997	B2	8/2011 Bennett et al.
5,344,150	A	9/1994	Schmidt et al.	8,057,320	B2	11/2011 Bennett et al.
5,351,958	A	10/1994	Helmstetter	8,079,918	B2	12/2011 Cole
5,395,109	A	3/1995	Fenton, Jr.	8,096,894	B2	1/2012 Sander
5,409,229	A	4/1995	Schmidt et al.	8,133,131	B1	3/2012 Bennett et al.
RE34,925	E	5/1995	McKeighen	8,142,306	B2	3/2012 De La Cruz et al.
5,411,263	A	5/1995	Schmidt et al.	8,147,351	B2	4/2012 Bennett et al.
5,417,559	A	5/1995	Schmidt	8,207,507	B2	6/2012 Zaitseva et al.
5,429,355	A	7/1995	Schmidt et al.	8,216,084	B2	7/2012 Bennett et al.
5,429,365	A	7/1995	McKeighen	2001/0007835	A1	7/2001 Baron
5,433,442	A	7/1995	Walker	2005/0101402	A1	5/2005 Kawakami
5,441,274	A	8/1995	Clay	2006/0281575	A1	12/2006 Hocknell et al.
5,507,985	A	4/1996	Cadorniga	2006/0287125	A1	12/2006 Hocknell et al.
5,538,245	A	7/1996	Moore	2006/0293115	A1	12/2006 Hocknell et al.
D375,130	S	10/1996	Hlinka et al.	2006/0293116	A1	12/2006 Hocknell et al.
D378,770	S	4/1997	Hlinka et al.	2007/0117645	A1	5/2007 Nakashima
5,632,695	A	5/1997	Hlinka et al.	2008/0254909	A1	10/2008 Callinan et al.
5,722,901	A	3/1998	Barron et al.	2008/0261716	A1	10/2008 Sugimoto
D393,678	S *	4/1998	Jones et al. .... D21/759	2008/0293510	A1	11/2008 Yamamoto
5,839,973	A	11/1998	Jackson	2009/0062029	A1	3/2009 Stites et al.
5,863,260	A	1/1999	Butler, Jr. et al.	2009/0075749	A1	3/2009 De La Cruz et al.
5,924,938	A	7/1999	Hines	2009/0124407	A1	5/2009 Hocknell et al.
5,951,411	A	9/1999	Wood et al.	2009/0233728	A1	9/2009 Liou
6,050,903	A	4/2000	Lake	2009/0247316	A1	10/2009 De La Cruz et al.
D434,822	S *	12/2000	Jacobson et al. .... D21/759	2009/0264214	A1	10/2009 De La Cruz et al.
D449,665	S *	10/2001	Etherton et al. .... D21/759	2009/0275423	A1	11/2009 Yamamoto
6,352,482	B1 *	3/2002	Jacobson et al. .... 473/310	2009/0286611	A1	11/2009 Beach et al.
6,547,673	B2	4/2003	Roark	2009/0286618	A1	11/2009 Beach et al.
6,857,969	B2	2/2005	Rice	2009/0286619	A1	11/2009 Beach et al.
6,863,622	B1	3/2005	Hsin	2010/0016094	A1	1/2010 Hocknell et al.
6,890,269	B2 *	5/2005	Burrows ..... 473/307	2010/0035700	A1	2/2010 Yu et al.
7,083,529	B2 *	8/2006	Cackett et al. .... 473/309	2010/0035701	A1	2/2010 Kusumoto
7,117,923	B2	10/2006	Schweigert	2010/0041491	A1	2/2010 Thomas et al.
D537,896	S *	3/2007	Holt et al. .... D21/759	2010/0120550	A1	5/2010 Galloway
7,300,359	B2	11/2007	Hocknell et al.	2010/0120552	A1	5/2010 Sander et al.
7,344,449	B2	3/2008	Hocknell et al.	2010/0144459	A1	6/2010 Sato et al.
7,351,159	B2	4/2008	Lai	2010/0197423	A1	8/2010 Thomas et al.
7,438,645	B2	10/2008	Hsu	2010/0197424	A1	8/2010 Beach et al.
D582,999	S *	12/2008	Evans et al. .... D21/759	2010/0203981	A1	8/2010 Morris et al.
				2010/0261543	A1	10/2010 Breier et al.

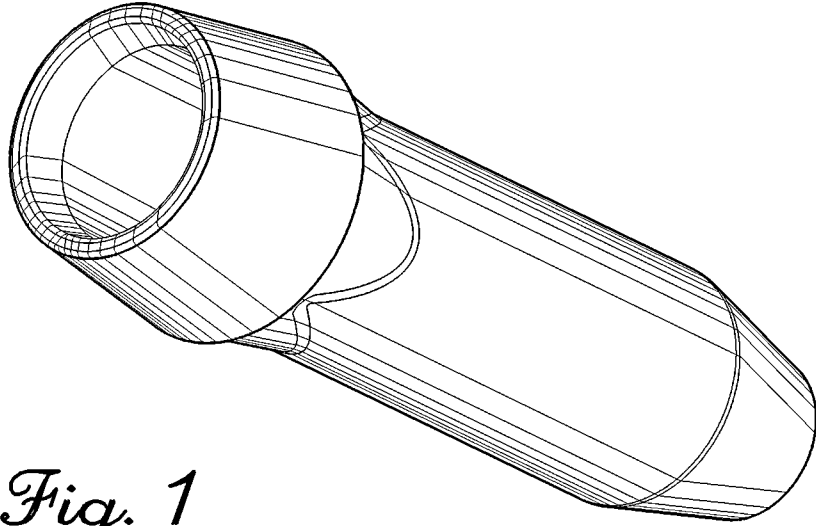
# US D687,504 S

Page 3

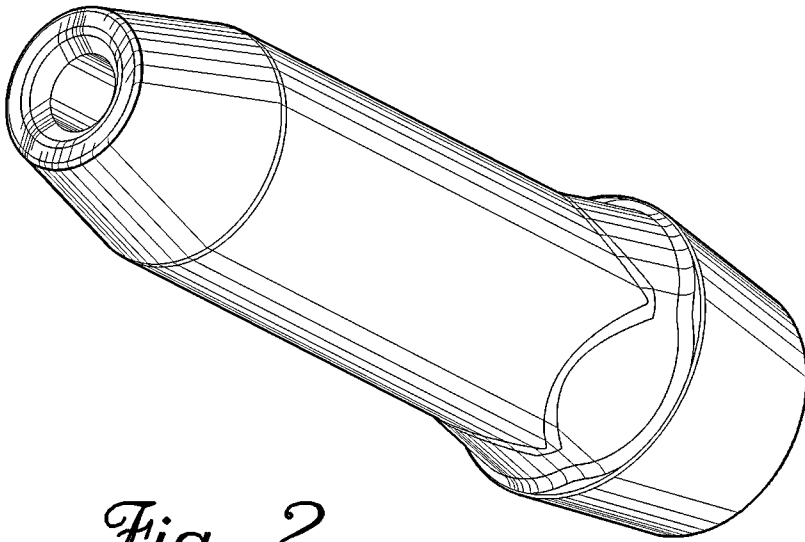
---

2010/0323808	A1	12/2010	Sato et al.	2011/0275448	A1	11/2011	Morris et al.
2010/0323809	A1	12/2010	Murphy	2011/0287853	A1	11/2011	Sato
2010/0331121	A1	12/2010	Morris et al.	2011/0319185	A1	12/2011	Beach et al.
2011/0009206	A1	1/2011	Soracco	2012/0010015	A1	1/2012	Bennett et al.
2011/0021282	A1	1/2011	Sander	2012/0034994	A1	2/2012	Knutson et al.
2011/0105242	A1	5/2011	Beach et al.	2012/0034995	A1	2/2012	Harvell et al.
2011/0118044	A1	5/2011	Sato et al.	2012/0034996	A1	2/2012	Murphy et al.
2011/0118045	A1	5/2011	Sato et al.	2012/0071261	A1	3/2012	Yamamoto
2011/0118048	A1	5/2011	Soracco	2012/0100926	A1	4/2012	Golden et al.
2011/0143854	A1	6/2011	Bennett et al.	2012/0165112	A1	6/2012	Bennett et al.
2011/0159983	A1	6/2011	Burnett et al.	2013/0053164	A1	2/2013	Jertson
2011/0177876	A1	7/2011	Bennett et al.	2013/0053167	A1	2/2013	Jertson
2011/0190072	A1	8/2011	Beach et al.				
2011/0201447	A1	8/2011	Thomas et al.				
2011/0207547	A1	8/2011	Sander et al.				

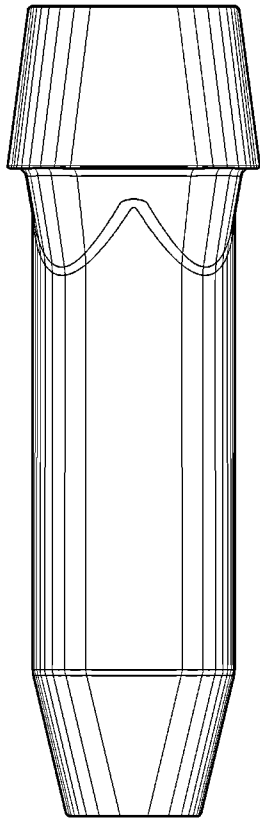
\* cited by examiner



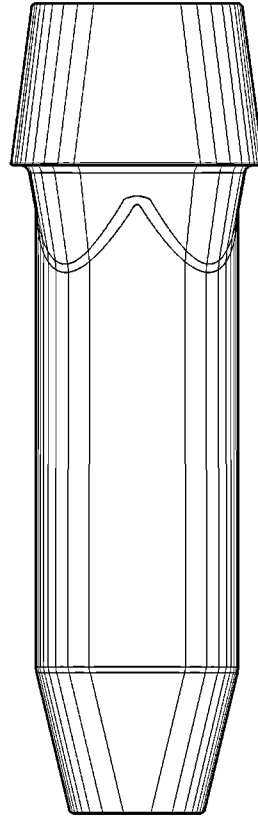
*Fig. 1*



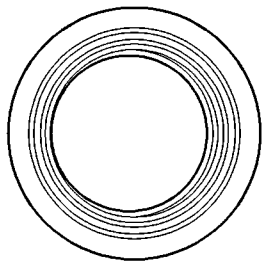
*Fig. 2*



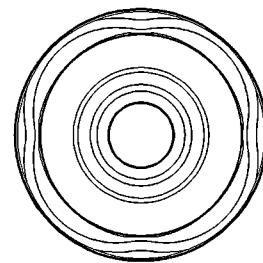
*Fig. 3*



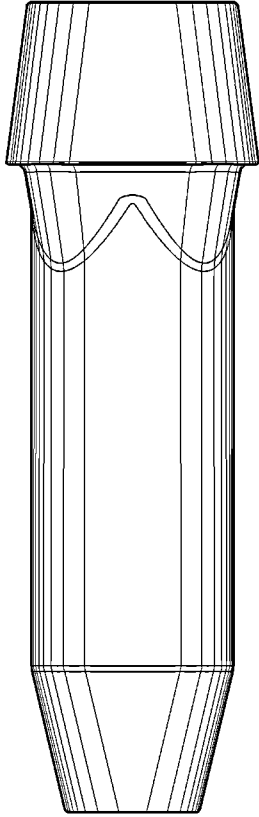
*Fig. 4*



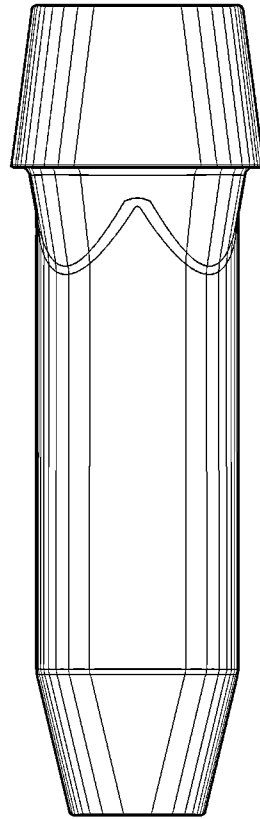
*Fig. 5*



*Fig. 6*



*Fig. 7*



*Fig. 8*