



US00D753419S

(12) **United States Design Patent**
Heirakuji et al.

(10) **Patent No.:** **US D753,419 S**

(45) **Date of Patent:** **** *Apr. 12, 2016**

(54) **DISPLAY STRUCTURE**

(71) Applicant: **Apple Inc.**, Cupertino, CA (US)

(72) Inventors: **Russell John Kaahue Heirakuji**,
Cupertino, CA (US); **Kevin Fenton**
Smeds, San Francisco, CA (US); **Frank**
Craig Thaler, Santa Cruz, CA (US)

(73) Assignee: **Apple Inc.**, Cupertino, CA (US)

(*) Notice: This patent is subject to a terminal disclaimer.

(**) Term: **14 Years**

(21) Appl. No.: **29/525,869**

(22) Filed: **May 4, 2015**

Related U.S. Application Data

(63) Continuation of application No. 29/432,722, filed on Sep. 19, 2012, now Pat. No. Des. 728,281.

(51) **LOC (10) Cl.** **06-06**

(52) **U.S. Cl.**
USPC **D6/675**

(58) **Field of Classification Search**
USPC D6/409-415, 449, 455-458, 461-468,
D6/474, 476-479, 675, 675.1; 211/31.1,
211/85.26, 85.31, 85.4, 33, 134, 186-191,
211/194, 181.1
CPC A47F 5/0018; A47F 5/0043; A47F 5/0081
See application file for complete search history.

(56) **References Cited**

U.S. PATENT DOCUMENTS

D248,345 S	7/1978	Stoddard
D303,190 S	9/1989	Suttles
D406,964 S	3/1999	Lewis
D427,814 S	7/2000	Black

D427,815 S	7/2000	Lewis	
D465,936 S	11/2002	Arnold	
D466,337 S	12/2002	Feng	
D530,548 S	* 10/2006	McCurry D6/708
D539,569 S	4/2007	Lewis	
D583,577 S	12/2008	Wicha	
D591,090 S	4/2009	Judkins	
D599,570 S	9/2009	Skalka	
D611,735 S	3/2010	Stukenberg	
D651,651 S	1/2012	Beukema et al.	

(Continued)

Primary Examiner — Kelley Donnelly

(74) *Attorney, Agent, or Firm* — Sterne, Kessler, Goldstein & Fox P.L.L.C.

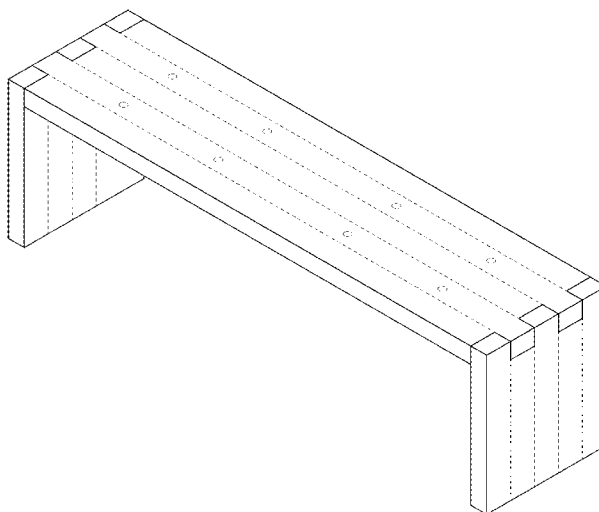
(57) **CLAIM**

The ornamental design for a display structure, as shown and described.

DESCRIPTION

FIG. 1 is a top front perspective view of a display structure showing our new design; FIG. 2 is a bottom rear perspective view thereof; FIG. 3 is a front view thereof; FIG. 4 is a rear view thereof; FIG. 5 is a left side view thereof; FIG. 6 is a right side view thereof; FIG. 7 is a top view thereof; FIG. 8 is a bottom view thereof; FIG. 9 is a top front perspective view of another embodiment of a display structure showing our new design; FIG. 10 is a bottom rear perspective view thereof; FIG. 11 is a front view thereof; FIG. 12 is a rear view thereof; FIG. 13 is a left side view thereof; FIG. 14 is a right side view thereof; FIG. 15 is a top view thereof; and, FIG. 16 is a bottom view thereof. The broken lines in the figures show portions of the display structure that form no part of the claimed design.

1 Claim, 12 Drawing Sheets



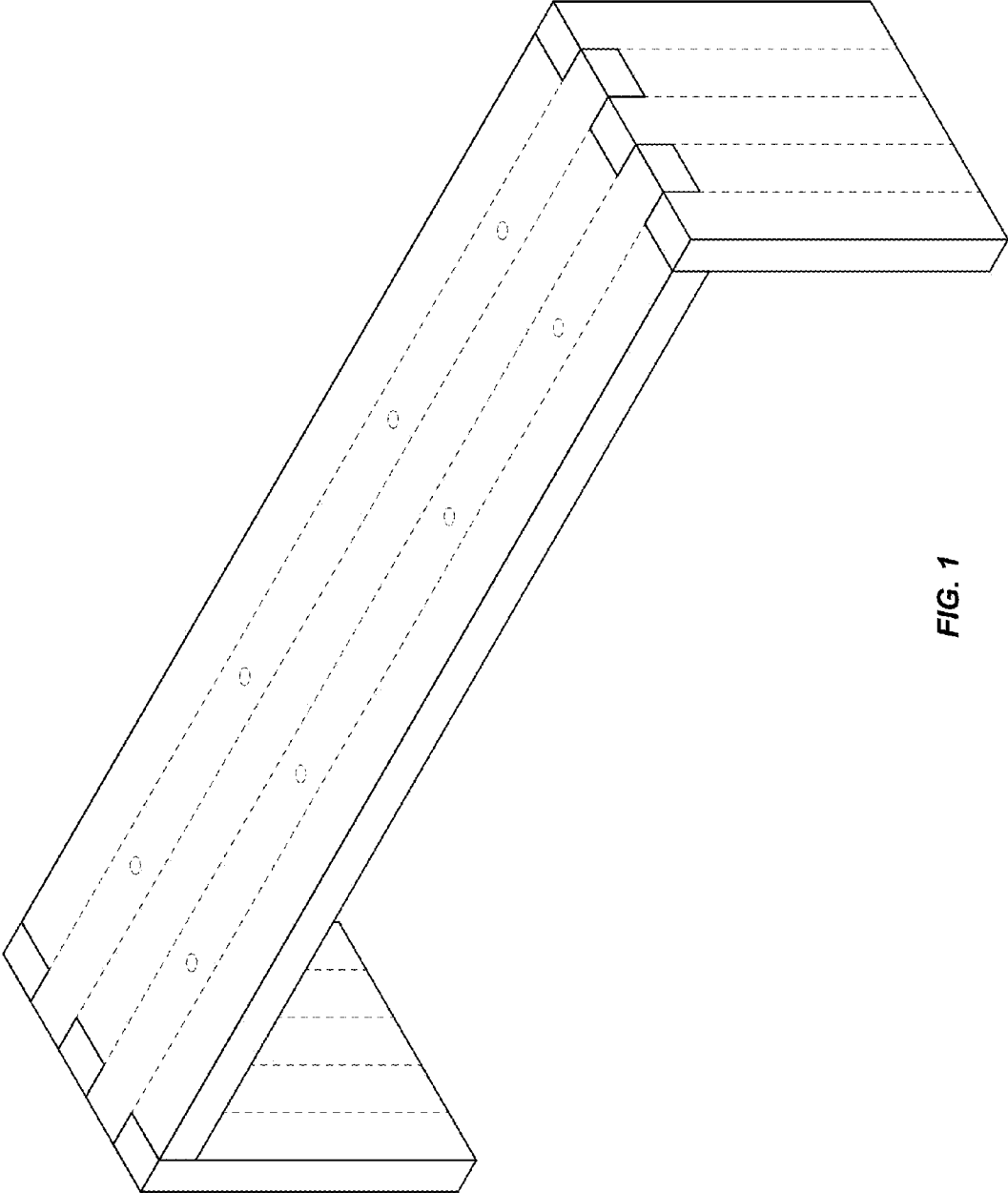


FIG. 1

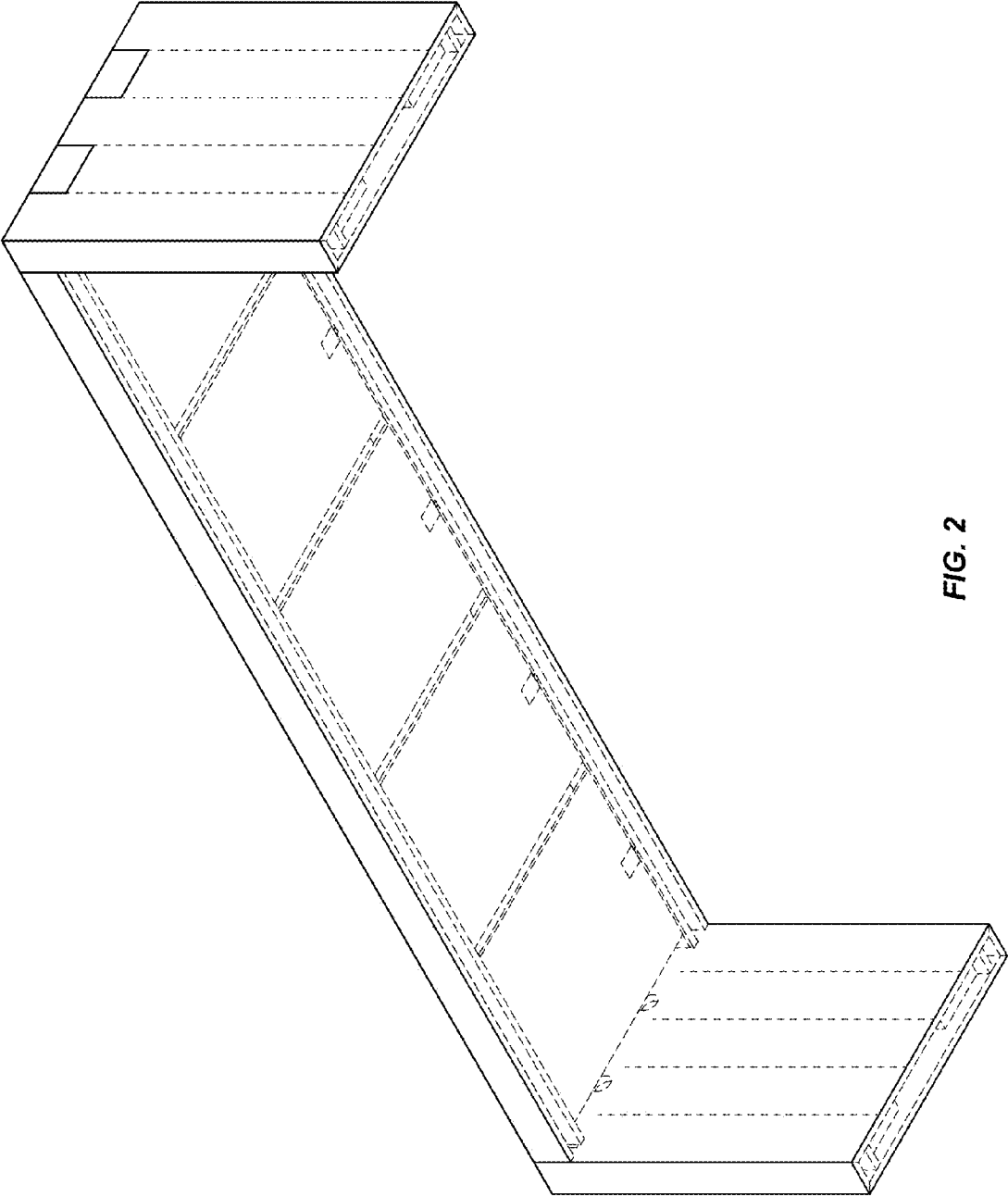


FIG. 2

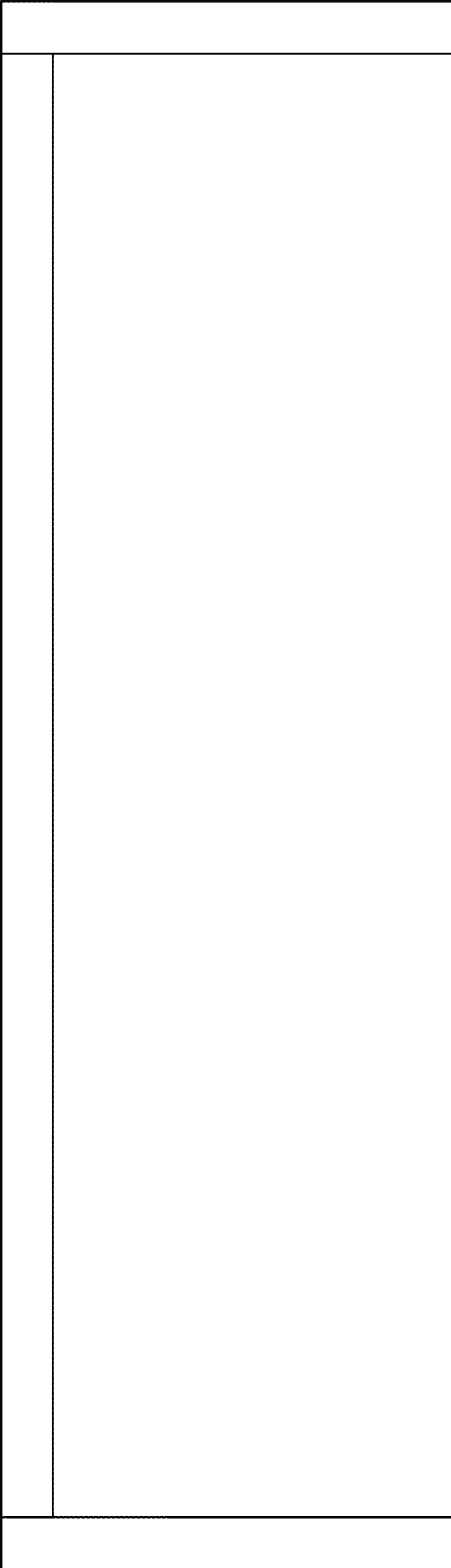


FIG. 3

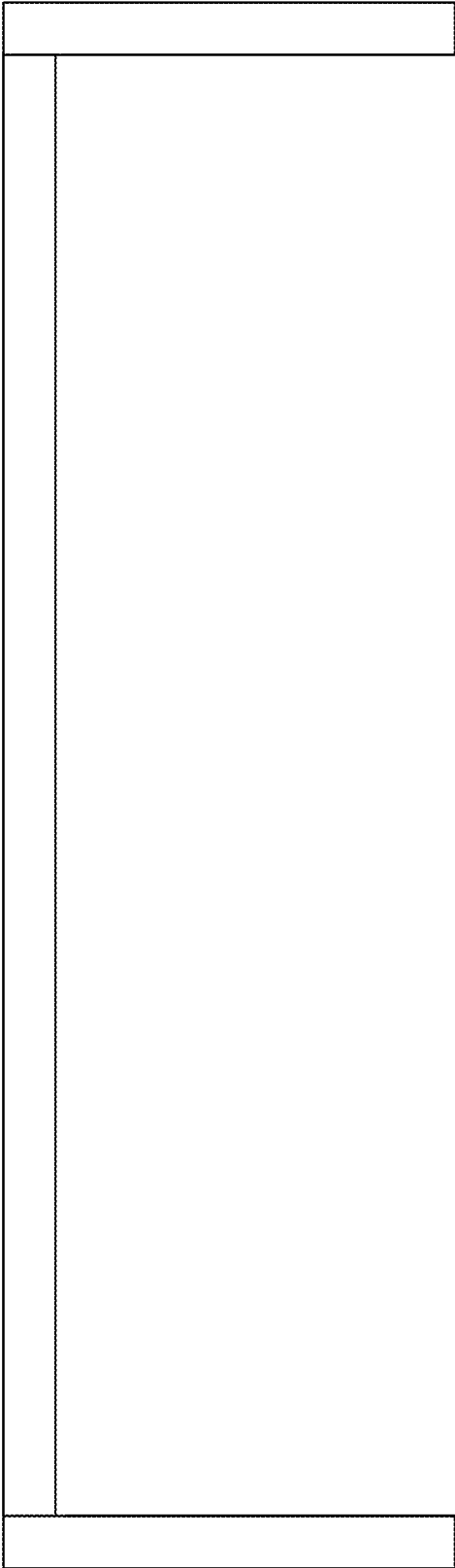


FIG. 4

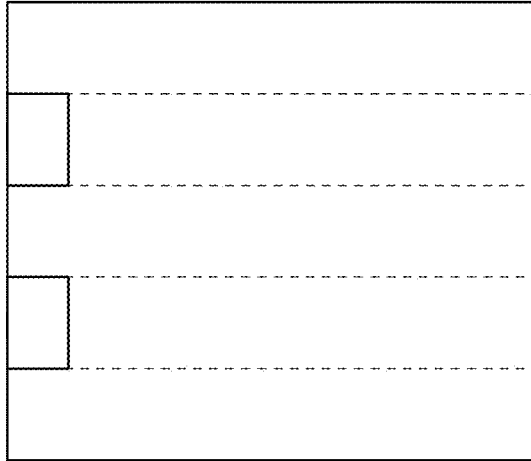


FIG. 6

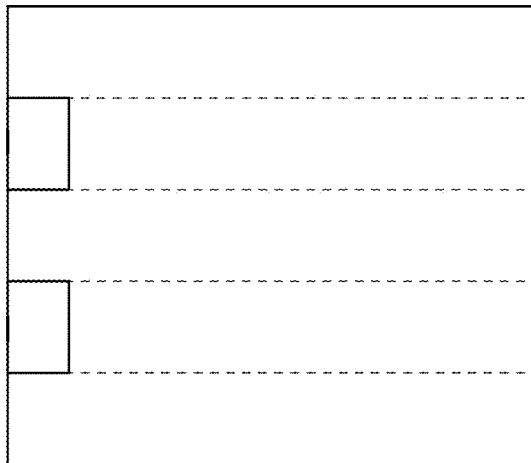


FIG. 5

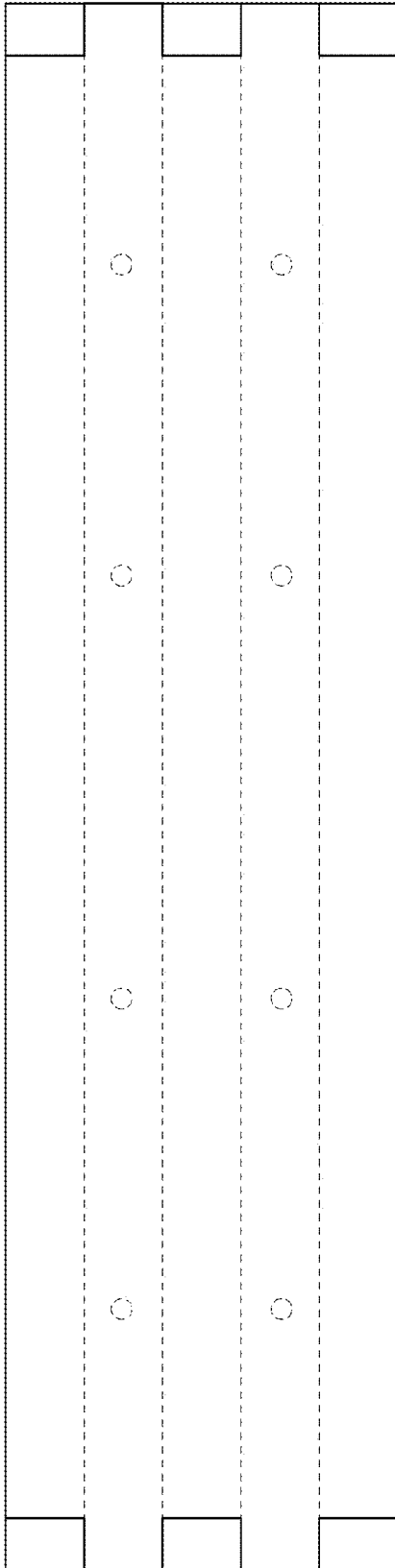


FIG. 7

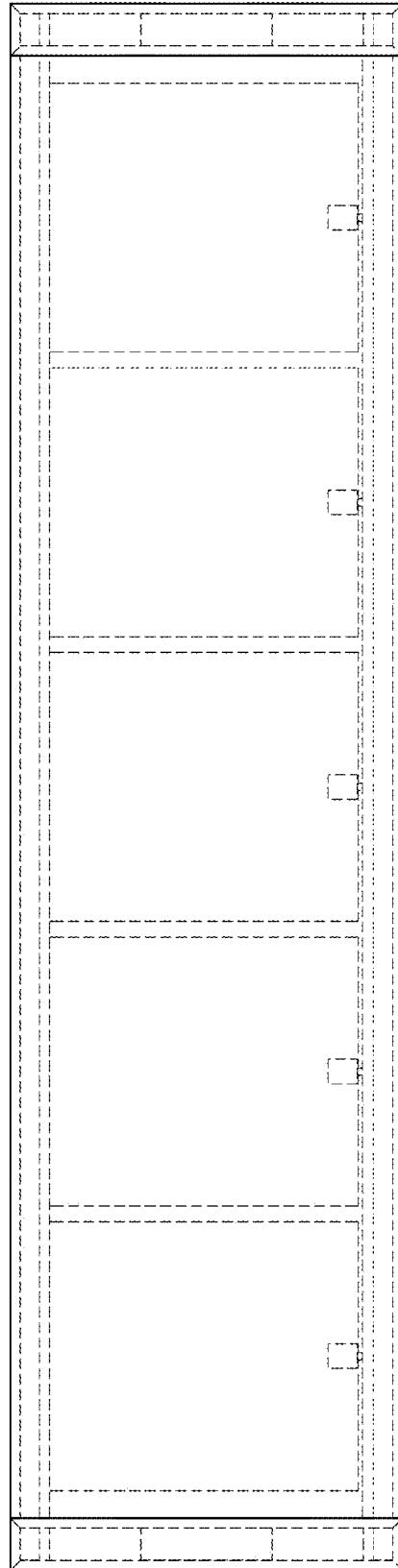


FIG. 8

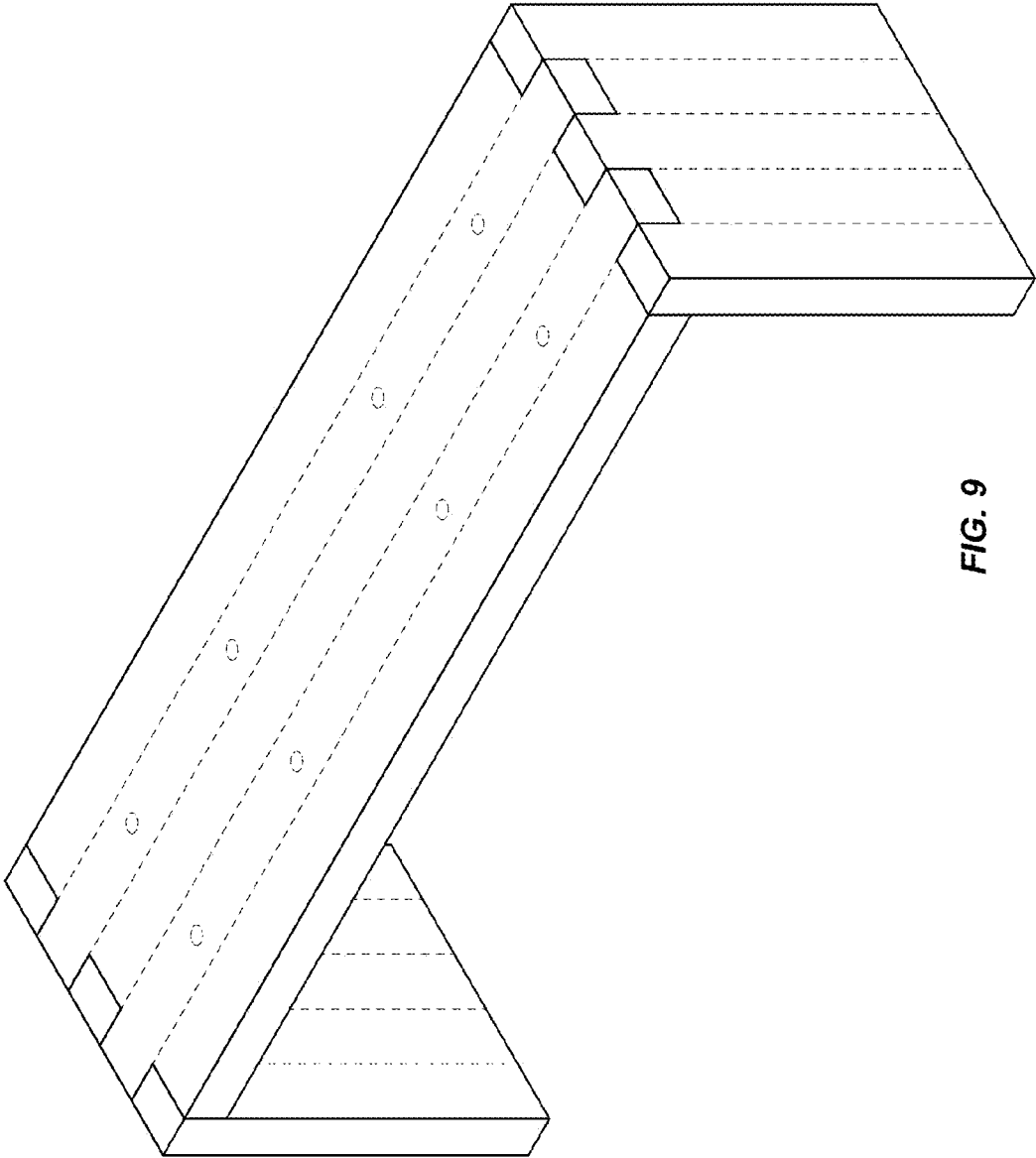


FIG. 9

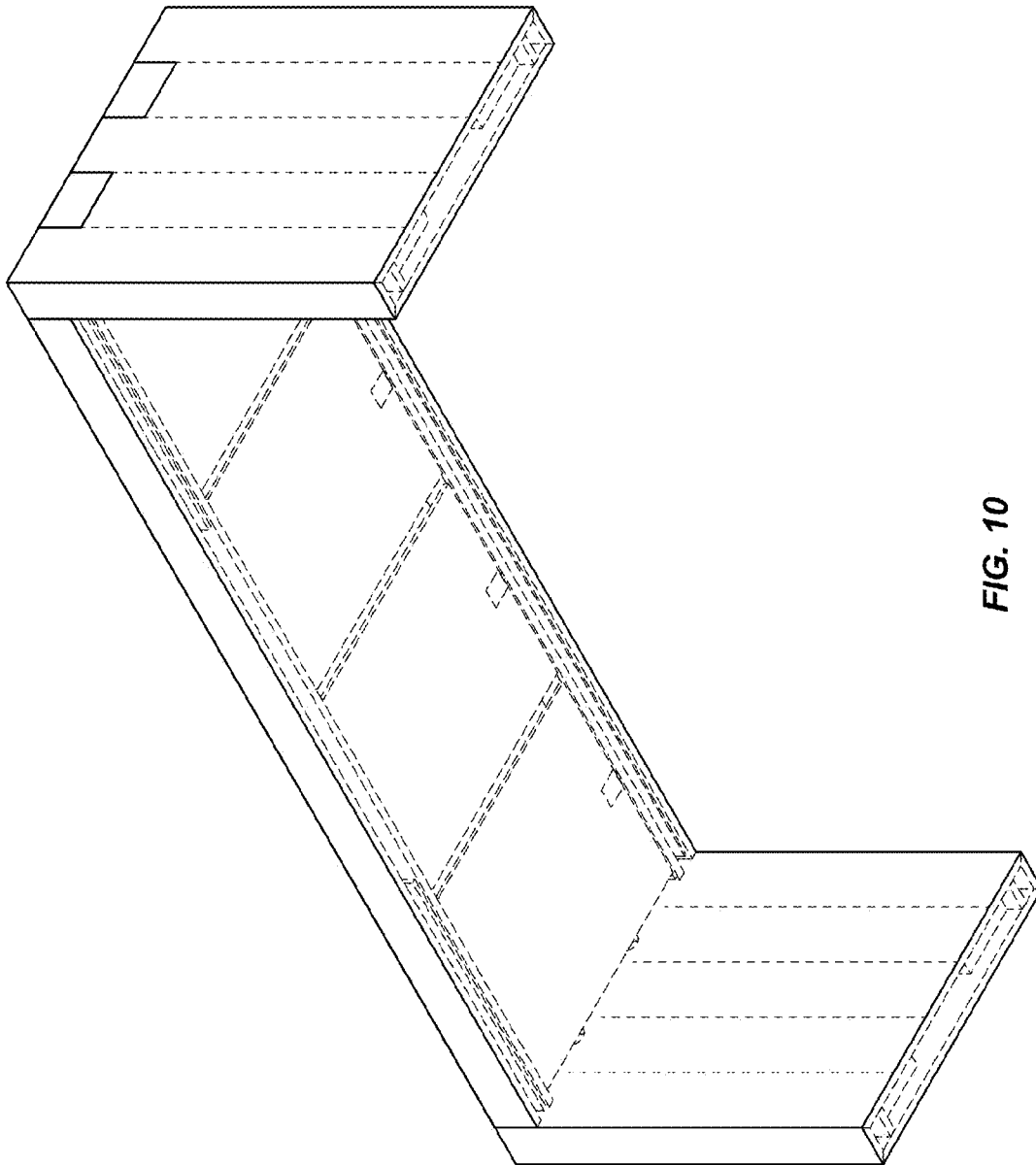


FIG. 10

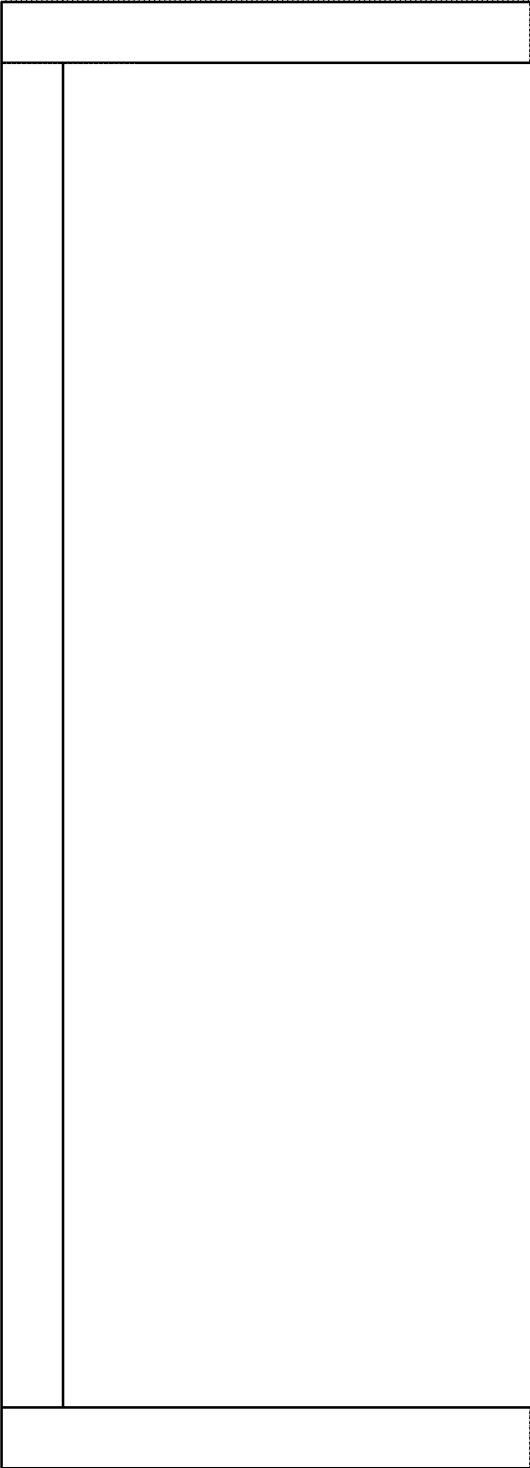


FIG. 11

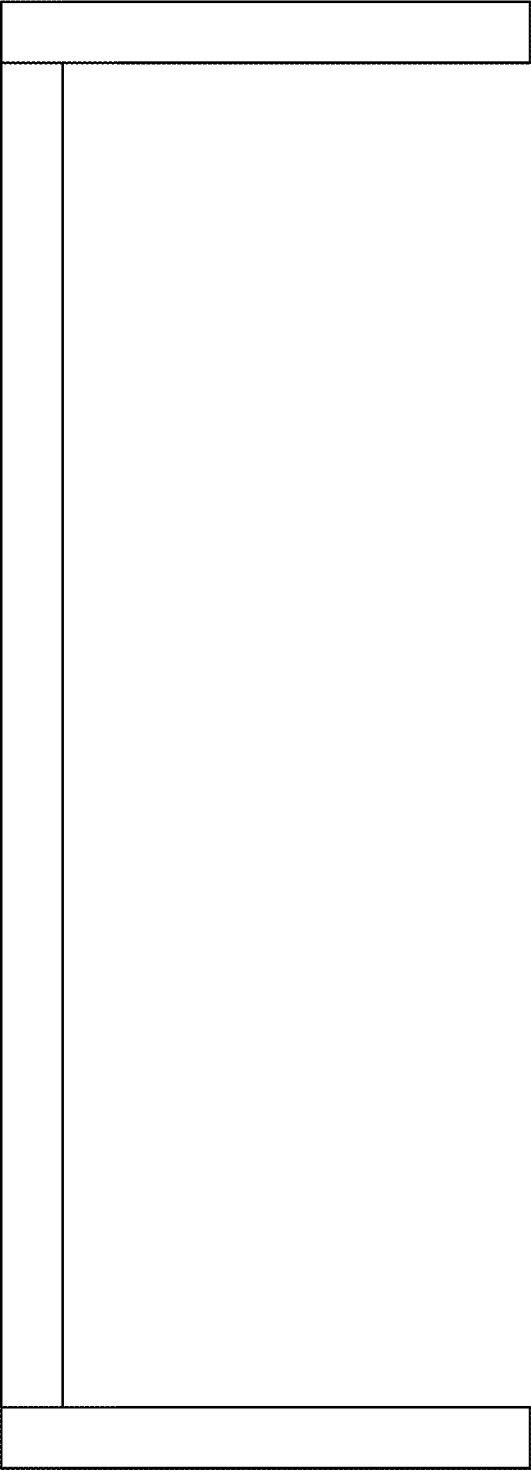


FIG. 12

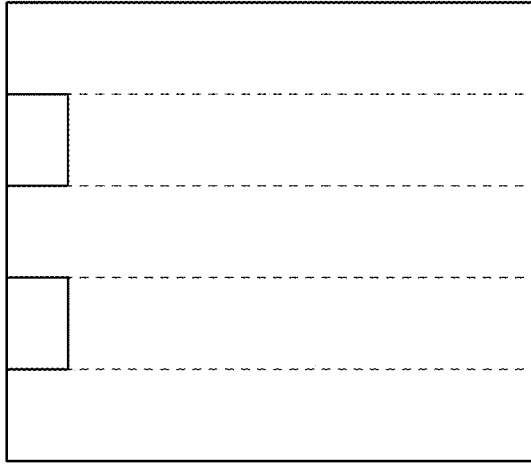


FIG. 14

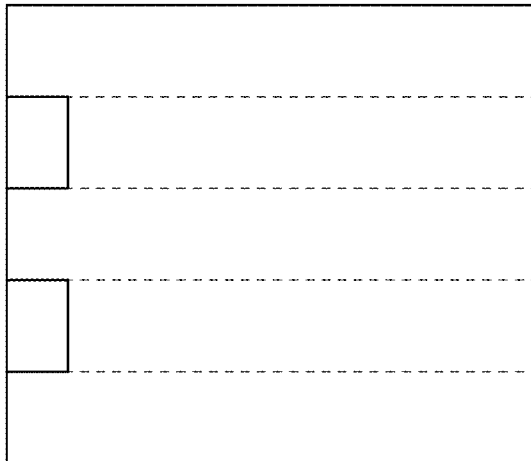


FIG. 13

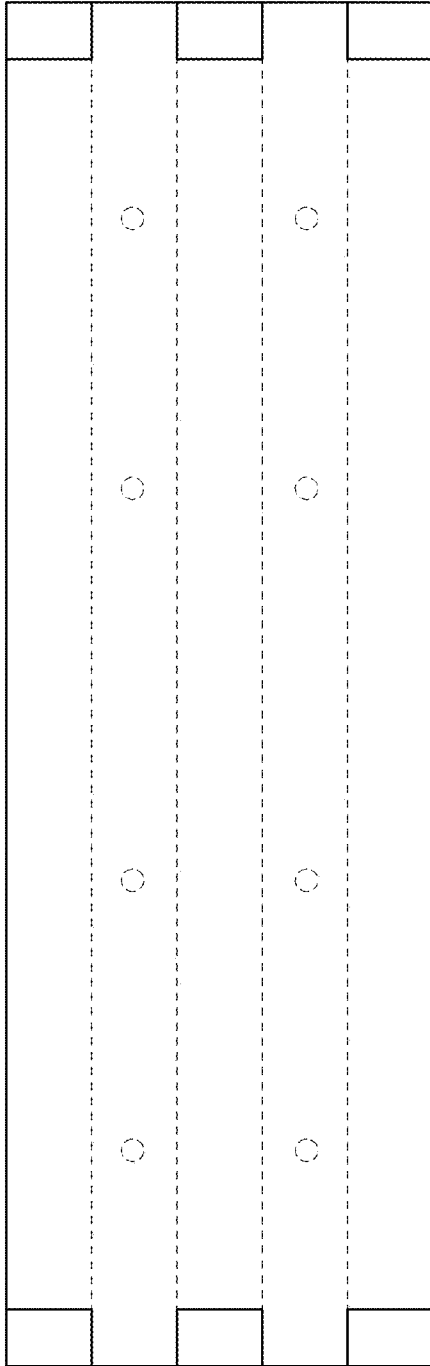


FIG. 15

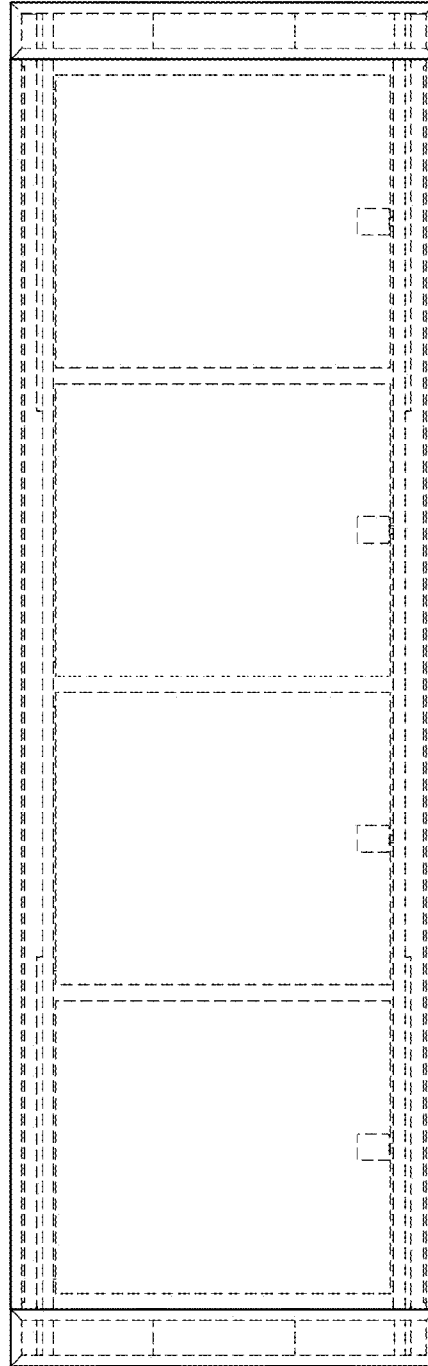


FIG. 16