



US0D1031978S

(12) **United States Design Patent** (10) **Patent No.:** **US D1,031,978 S**
Delebarre et al. (45) **Date of Patent:** **** Jun. 18, 2024**

(54) **MEDICAL DEVICE** A61B 17/083; A61B 17/1285; A61B 17/128

(71) Applicant: **TISSIUM**, Paris (FR) See application file for complete search history.

(72) Inventors: **Aurélien Delebarre**,
Conflans-Sainte-Honorine (FR); **Simon Menand**,
Latresne (FR); **Estelle Collin**,
Alfortville (FR); **Richard Dent**,
Alfortville (FR)

(73) Assignee: **TISSIUM**, Paris (FR)

(**) Term: **15 Years**

(21) Appl. No.: **35/517,898**

(22) Filed: **May 10, 2023**

(80) **Hague Agreement Data**

Int. Filing Date: **May 10, 2023**
Int. Reg. No.: **DM/230335**
Int. Reg. Date: **May 10, 2023**
Int. Reg. Pub. Date: **Jul. 28, 2023**

(30) **Foreign Application Priority Data**

Nov. 23, 2022 (EM) 015004085-0001

(51) **LOC (14) Cl.** **24-02**

(52) **U.S. Cl.**
USPC **D24/119**

(58) **Field of Classification Search**
USPC D24/107, 108, 112, 114, 119, 121, 127,
D24/128, 130, 133, 144, 145, 167, 169,
D24/231; D9/695, 696, 697, 698, 699,
D9/723, 724

CPC A61B 17/00491; A61B 17/04; A61B
17/0469; A61B 50/30; A61B 17/122;

(56) **References Cited**

U.S. PATENT DOCUMENTS

D467,339	S	*	12/2002	Trask	D8/396
D537,331	S	*	2/2007	Hill	D8/395
D652,288	S	*	1/2012	Mercier	D8/396
D738,711	S	*	9/2015	Tally	D8/380
D760,583	S	*	7/2016	Weilage	D8/395
D804,659	S	*	12/2017	Hood	D24/128
D811,772	S	*	3/2018	Richtmyre	D6/546
D815,517	S	*	4/2018	Van Fleet	D8/396
D821,188	S	*	6/2018	Smullen	D8/396
D836,431	S	*	12/2018	Frost	D8/396
D875,925	S	*	2/2020	Archat	D24/127
D877,323	S	*	3/2020	Reedy-Goss	D24/127
D926,022	S	*	7/2021	Luhrmann	D8/356
D947,374	S	*	3/2022	Lindsay	D24/128
D952,846	S	*	5/2022	Geist	D24/140
D953,196	S	*	5/2022	DeCosmo	D8/395
D965,775	S	*	10/2022	Dmitriev	D24/129
D1,002,006	S	*	10/2023	Godinez	D24/128
2014/0094829	A1	*	4/2014	Kostrzewski	A61F 2/0063 606/151
2015/0272585	A1	*	10/2015	Park	A61B 17/1227 606/157

(Continued)

FOREIGN PATENT DOCUMENTS

WO WOD230335-001 * 5/2023

Primary Examiner — Andrew Kerr
Assistant Examiner — Chariton Alexakis
(74) *Attorney, Agent, or Firm* — IpHorgan Ltd.

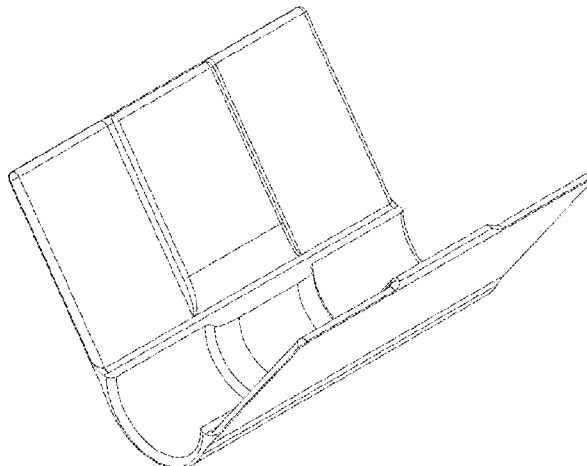
(57) **CLAIM**

The ornamental design for a medical device, as shown and described.

DESCRIPTION

- 1. Medical device
- 1.1 : Perspective
- 1.2 : Front

(Continued)



- 1.3 : Top
- 1.4 : side
- 1.5 : Bottom

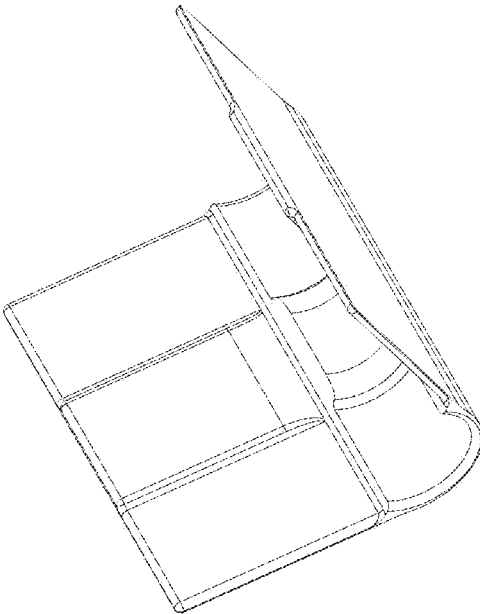
1 Claim, 5 Drawing Sheets

(56) **References Cited**

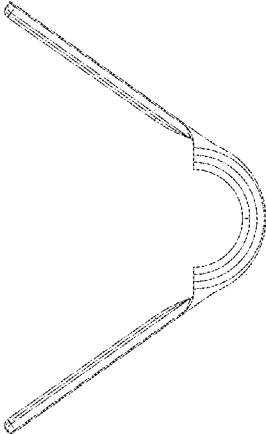
U.S. PATENT DOCUMENTS

2017/0037885 A1* 2/2017 Smullen A47K 10/14

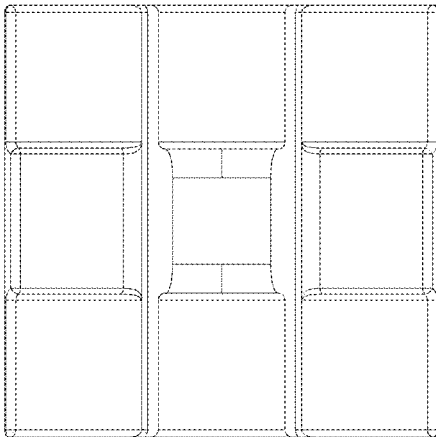
* cited by examiner



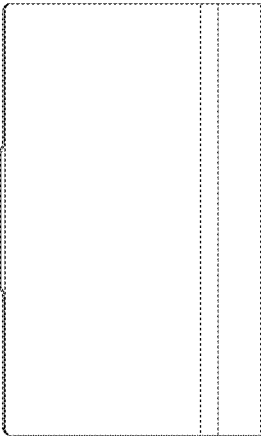
1.1



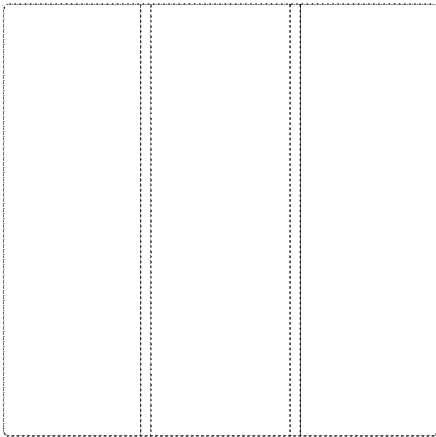
1.2



1.3



1.4



1.5