



US00D766829S

(12) **United States Design Patent** (10) **Patent No.:** **US D766,829 S**  
**Huynh** (45) **Date of Patent:** **\*\* Sep. 20, 2016**

(54) **BATTERY ADAPTER**  
(71) Applicant: **John Thanh Huynh**, Arlington, VA  
(US)  
(72) Inventor: **John Thanh Huynh**, Arlington, VA  
(US)  
(\*\*) Term: **14 Years**

D710,305 S \* 8/2014 Windom ..... D13/119  
D712,356 S \* 9/2014 Windom ..... D13/119  
D716,234 S \* 10/2014 Tien ..... D13/147  
D720,290 S \* 12/2014 Wu ..... D13/110  
D720,291 S \* 12/2014 Liu ..... D13/119  
D723,466 S \* 3/2015 Wang ..... D13/110  
D730,286 S \* 5/2015 Liu ..... D13/119  
D730,826 S \* 6/2015 Moanack ..... D13/110  
2014/0199571 A1 \* 7/2014 Ryu ..... H01M 10/0587  
429/94  
2016/0079586 A1 \* 3/2016 Bedol ..... H01M 2/367  
429/52

(21) Appl. No.: **29/506,996**  
(22) Filed: **Oct. 22, 2014**  
(51) **LOC (10) Cl.** ..... **13-02**  
(52) **U.S. Cl.**  
USPC ..... **D13/119**  
(58) **Field of Classification Search**  
USPC ..... D13/102-106, 184, 110, 118-119, 114;  
429/96-100, 163, 176  
CPC ... Y02E 60/12; Y02E 60/122; Y02E 60/124;  
H01M 2/02; H01M 2/022; H01M 2/0207;  
H01M 10/643; H01M 10/4257; H01M  
2/1027; H01M 2/1033; H01M 2/105  
See application file for complete search history.

\* cited by examiner

*Primary Examiner* — Rosemary K Tarca  
*Assistant Examiner* — James Thorn, Sr.

(56) **References Cited**

**U.S. PATENT DOCUMENTS**

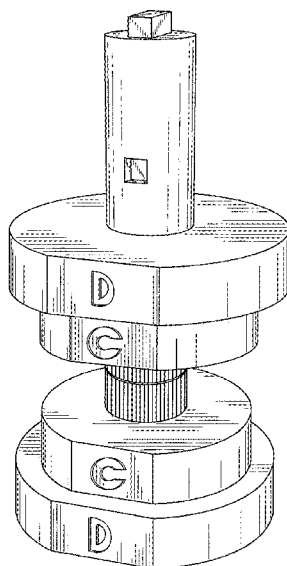
D411,510 S \* 6/1999 Wells, Sr. .... D13/119  
D535,945 S \* 1/2007 Towler ..... D13/119  
D538,227 S \* 3/2007 Holland ..... D7/554.1  
D573,946 S \* 7/2008 Ledbetter ..... D13/110  
D589,888 S \* 4/2009 Wu ..... D13/147  
D596,572 S \* 7/2009 Wu ..... D13/138.1  
D637,156 S \* 5/2011 Yoon ..... D13/119  
D664,092 S \* 7/2012 Gea Suarez ..... D13/103  
D700,144 S \* 2/2014 Benedict ..... D13/133  
D702,183 S \* 4/2014 Benedict ..... D13/110  
D702,633 S \* 4/2014 Andre ..... D13/110  
D704,639 S \* 5/2014 Alesi ..... D13/110

(57) **CLAIM**  
The ornamental design for a battery adapter, as shown and described.

**DESCRIPTION**

FIG. 1 is a perspective view of the battery adapter.  
FIG. 2 is a front view for the battery adapter shown in FIG. 1.  
FIG. 3 is a rear view for the battery adapter shown in FIG. 1.  
FIG. 4 is a left side view for the battery adapter shown in FIG. 1; The right side view is a mirror image of the left side view.  
FIG. 5 is a top view for the battery adapter shown in FIG. 1.  
FIG. 6 is a bottom view for the battery adapter shown in FIG. 1; The broken line in the drawing is for the purpose of illustrating the unclaimed portion and form no part of the claimed design; and,  
FIG. 7 is an exploded view for the battery adapter shown in FIG. 1.

**1 Claim, 4 Drawing Sheets**



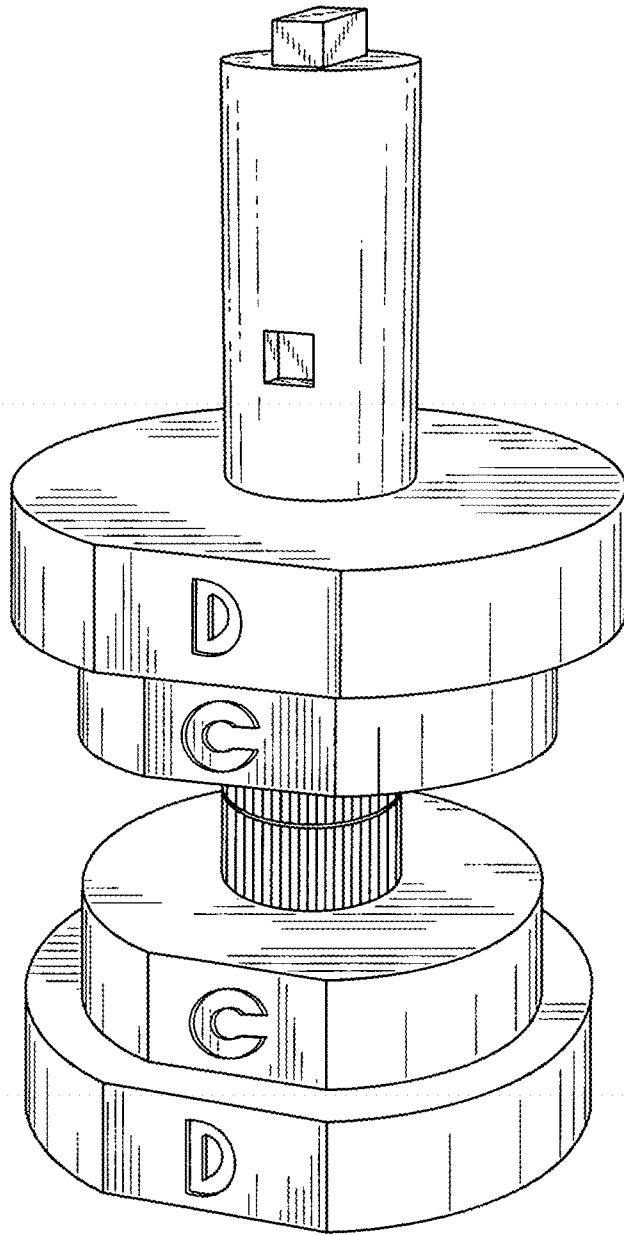


FIG. 1

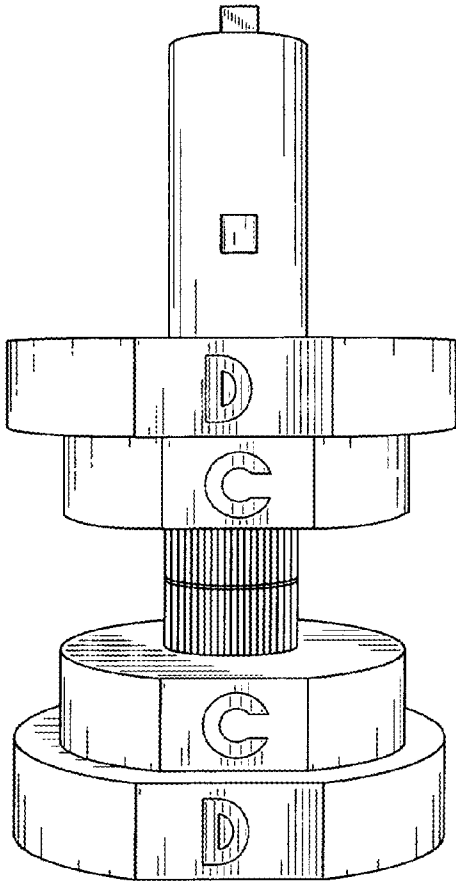


FIG. 2

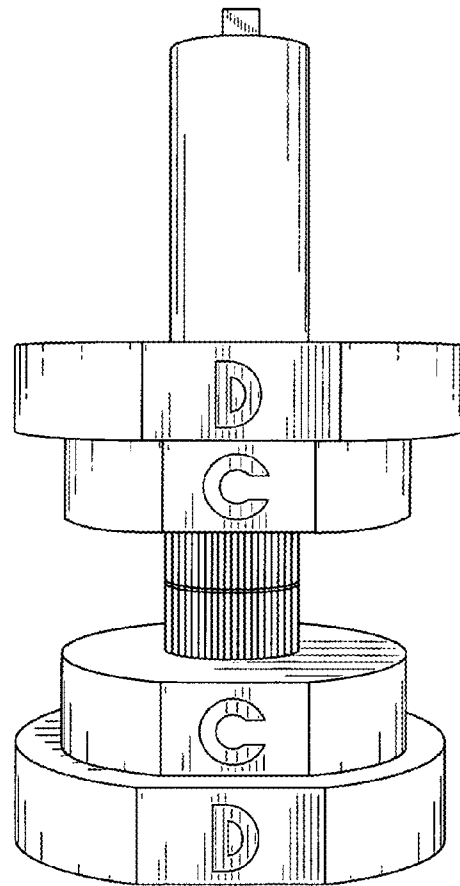


FIG. 3

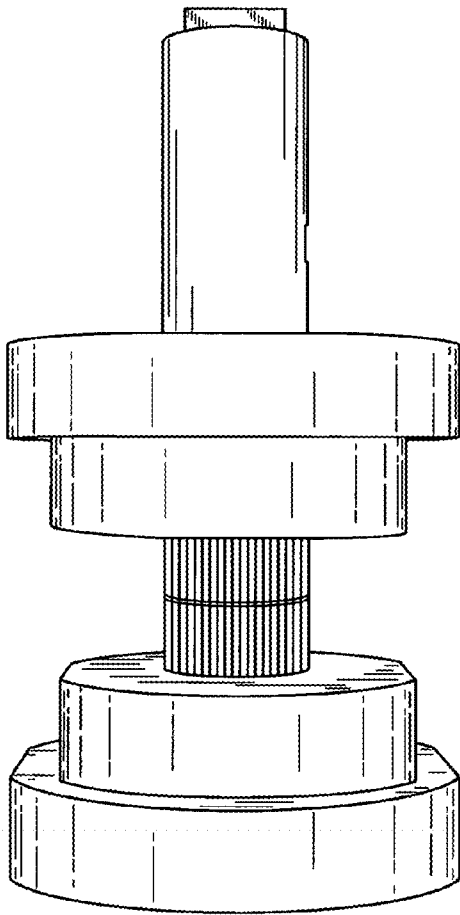


FIG. 4

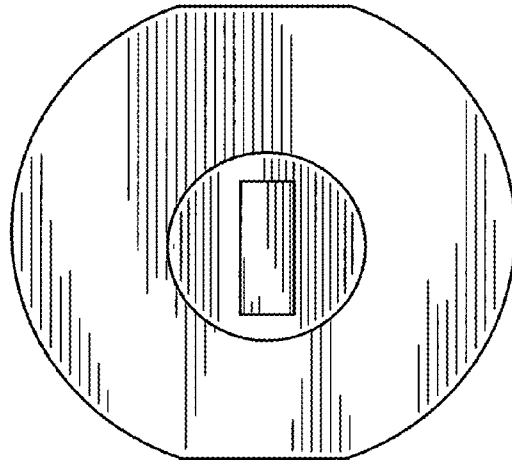


FIG. 5

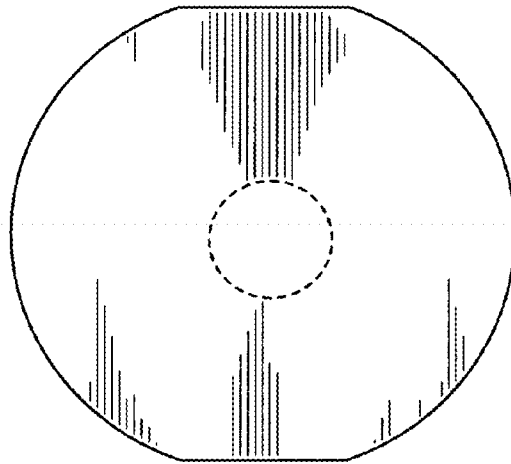


FIG. 6

FIG. 7

