



US00D722244S

(12) **United States Design Patent**  
**Willis et al.**

(10) **Patent No.:** **US D722,244 S**

(45) **Date of Patent:** **\*\* Feb. 10, 2015**

(54) **MERCHANDISER FACADE**  
  
(75) Inventors: **Scott E. Willis**, Sedalia, MO (US);  
**Robert J. Reese**, Edwardsville, IL (US)  
  
(73) Assignee: **Duke Manufacturing Co.**, St. Louis,  
MO (US)

4,489,995 A 12/1984 Barr  
D280,790 S \* 10/1985 Kooy ..... D6/471  
4,850,120 A 7/1989 Stein  
5,163,536 A 11/1992 Tuhro et al.  
5,168,719 A 12/1992 Branz et al.  
5,201,191 A 4/1993 Bustos  
5,496,103 A 3/1996 Kozak  
5,499,868 A 3/1996 Schainholz  
5,572,984 A 11/1996 Alden et al.  
5,630,468 A 5/1997 McKee  
5,675,983 A 10/1997 Ibrahim  
5,964,512 A 10/1999 Borgen  
D427,210 S \* 6/2000 Tsukida ..... D15/83  
6,128,912 A 10/2000 Wetzel

(\*\*) Term: **14 Years**

(21) Appl. No.: **29/410,847**

(22) Filed: **Jan. 12, 2012**

(51) **LOC (10) Cl.** ..... **06-06**

(52) **U.S. Cl.**  
USPC ..... **D6/683.1**

(58) **Field of Classification Search**  
USPC ..... D6/449, 470, 472-474, 475-476, 657,  
D6/662.1, 672, 678, 678.2, 683, 683.1;  
D15/79, 81, 85-87; 312/138.1, 107,  
312/114, 116, 137, 401, 408

See application file for complete search history.

(56) **References Cited**

**U.S. PATENT DOCUMENTS**

1,955,203 A 4/1934 Salomon  
D147,622 S \* 10/1947 Rideout ..... D6/470  
D156,416 S \* 12/1949 Greiling ..... D6/470  
D182,567 S \* 4/1958 Chapman ..... D6/470  
2,900,045 A 8/1959 Conklin et al.  
3,170,541 A 2/1965 Werner  
3,288,544 A 11/1966 Knecht  
D209,722 S \* 12/1967 Mangini ..... D6/471  
3,715,972 A 2/1973 Kelso et al.  
3,748,437 A 7/1973 Keeshin et al.  
3,858,091 A 12/1974 Wilkinson  
3,920,299 A 11/1975 Propst et al.  
3,997,028 A 12/1976 Lopez  
RE29,767 E 9/1978 Futch  
4,417,450 A 11/1983 Morgan, Jr. et al.  
4,457,140 A 7/1984 Rastelli  
4,467,617 A 8/1984 Morgan, Jr. et al.  
4,485,633 A 12/1984 King et al.

(Continued)

**FOREIGN PATENT DOCUMENTS**

JP 10-274472 A 10/1998  
JP 2002-253399 A 9/2002

(Continued)

**OTHER PUBLICATIONS**

17 photos of merchandiser, date unknown, 5 pages

*Primary Examiner* — Kelley Donnelly

(74) *Attorney, Agent, or Firm* — Senniger Powers LLP

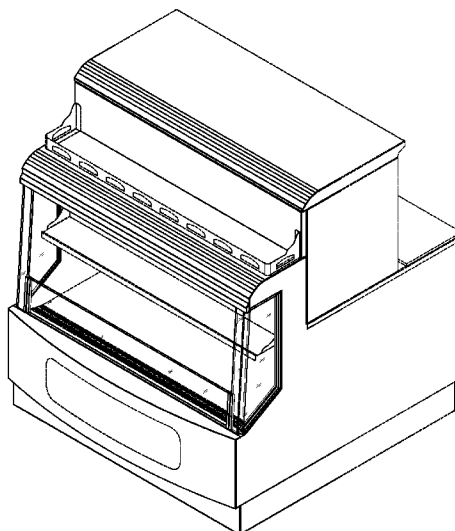
(57) **CLAIM**

The ornamental design for a merchandiser facade, as shown and described.

**DESCRIPTION**

FIG. 1 is a perspective view of a merchandiser façade of our new design;  
FIG. 2 is a front elevation view thereof;  
FIG. 3 is a right side elevation view thereof;  
FIG. 4 is a top plan view thereof; and,  
FIG. 5 is a left side elevation view thereof.  
Features forming no part of the claimed design are illustrated in broken lines.

**1 Claim, 5 Drawing Sheets**



(56)

References Cited

U.S. PATENT DOCUMENTS

D442,393 S 5/2001 Shei et al.  
 6,257,010 B1 7/2001 Shei et al.  
 6,561,317 B1 5/2003 Dudley  
 6,686,563 B1 2/2004 Pearlman et al.  
 D494,383 S \* 8/2004 Lee ..... D6/436  
 D498,616 S \* 11/2004 Hohler et al. .... D6/472  
 6,817,201 B2 11/2004 Yingst  
 6,851,271 B2 2/2005 Upton et al.  
 6,926,376 B2 8/2005 Arent et al.  
 7,028,497 B2 4/2006 Upton et al.  
 7,047,755 B2 5/2006 Upton et al.  
 7,065,977 B2 6/2006 Upton et al.  
 7,293,424 B2 11/2007 Jaffer et al.  
 D585,911 S \* 2/2009 Miyabayashi et al. .... D15/79  
 D589,536 S \* 3/2009 Seki ..... D15/81  
 D589,538 S \* 3/2009 Kumazawa et al. .... D15/81  
 7,536,868 B1 5/2009 Ward  
 D594,254 S \* 6/2009 Mori ..... D6/470  
 7,591,144 B2 9/2009 Wilson et al.

D608,565 S \* 1/2010 Mori ..... D6/470  
 D622,982 S \* 9/2010 Ikeda ..... D6/472  
 D625,127 S \* 10/2010 Seki ..... D6/472  
 7,822,503 B2 10/2010 Merwarth et al.  
 D680,350 S \* 4/2013 Peake-Atkins et al. .... D6/662.1  
 2005/0178762 A1 8/2005 Klosterman  
 2006/0273706 A1 12/2006 Champagne et al.  
 2008/0202491 A1 8/2008 Eberhard  
 2008/0257172 A1 10/2008 Duckworth et al.  
 2010/0024446 A1 2/2010 Rohrer et al.

FOREIGN PATENT DOCUMENTS

JP 2005-245672 A 9/2005  
 JP 3841324 B2 11/2006  
 JP 2007-282982 A 11/2007  
 JP 2008-093250 A 4/2008  
 JP 4245729 B2 4/2009  
 WO 94/26154 A1 11/1994  
 WO 2012102870 A2 8/2012

\* cited by examiner

FIG. 1

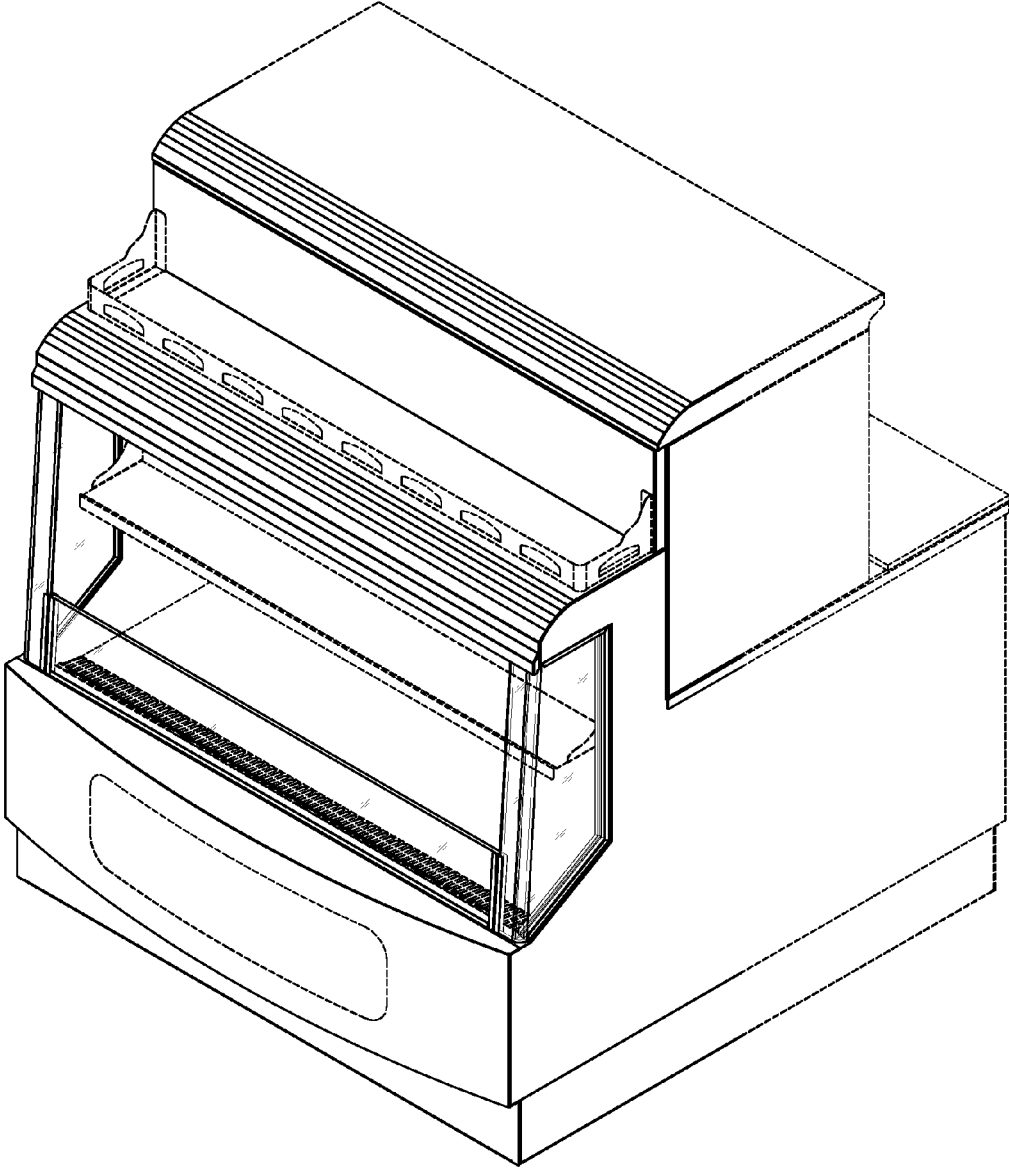


FIG. 2

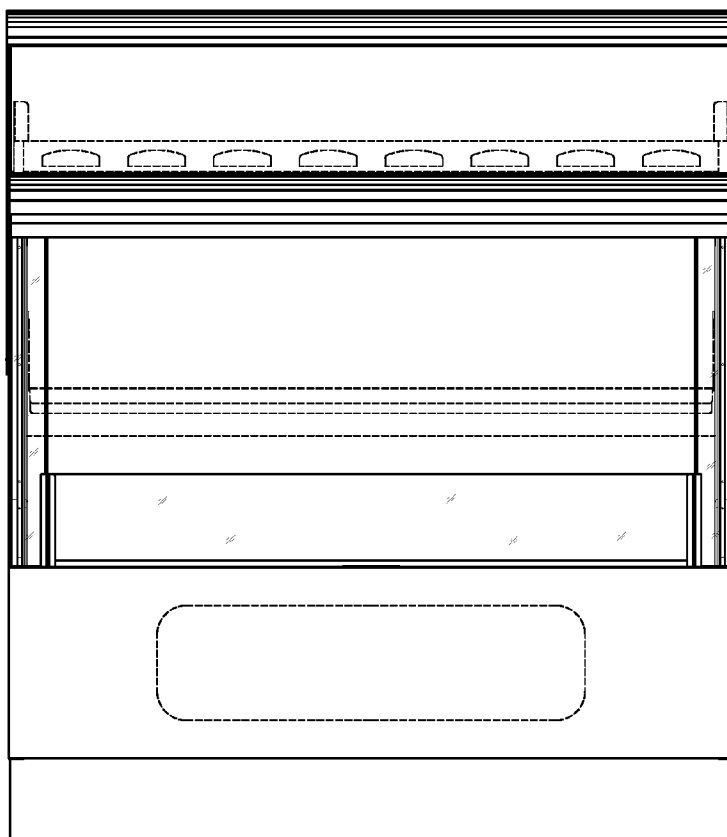


FIG. 3

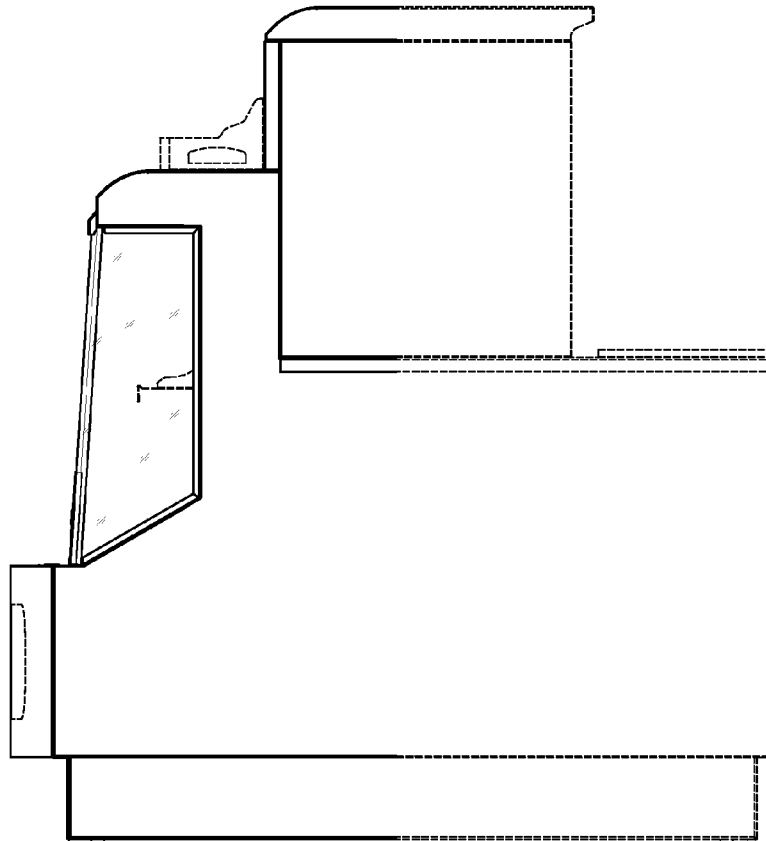


FIG. 4

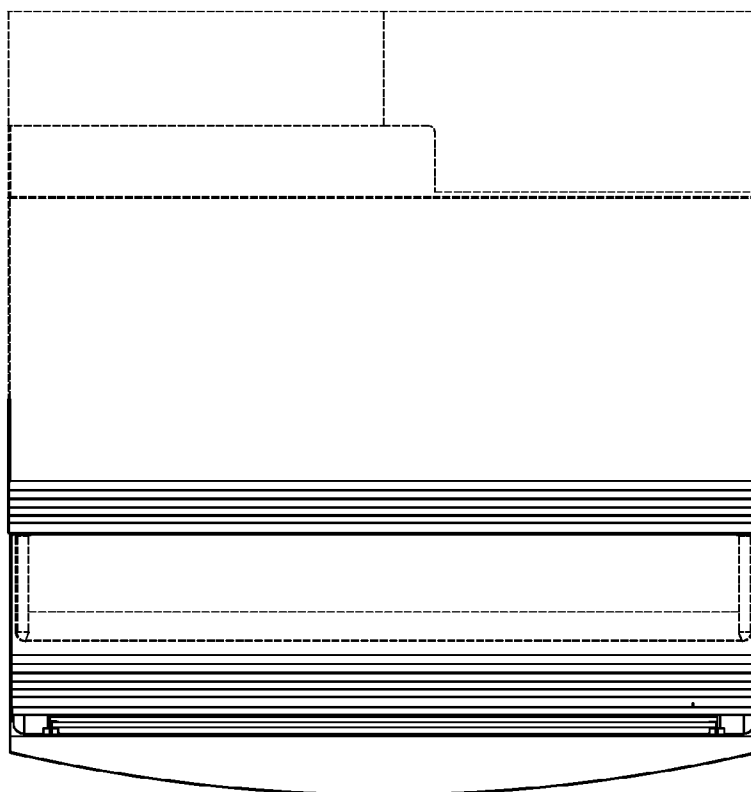


FIG. 5

