



- (51) International Patent Classification:
G01L 3/00 (2006.01)
- (21) International Application Number:
PCT/EP2012/064432
- (22) International Filing Date:
23 July 2012 (23.07.2012)
- (25) Filing Language: English
- (26) Publication Language: English
- (30) Priority Data:
P201100881 2 August 2011 (02.08.2011) ES
- (71) Applicant (for all designated States except US): **ROTOR COMPONENTES TECNOLOGICOS S.L** [ES/ES]; C/Miño nº 16-18, Polg. Industrial Conmar, Ajalvir, E-28864 Madrid (ES).
- (72) Inventor; and
(75) Inventor/Applicant (for US only): **CARRASCO VERGARA, Pablo** [ES/ES]; C/ Miño nº 16-18. Polg. Industrial Conmar, Ajalvir, E-28864 Madrid (ES).
- (74) Agent: **LORENTE BERGES, Ana**; A2 Estudio Legal, Avda. General Perón 19, bajo c, Madrid, E-28020 Madrid (ES).
- (81) Designated States (unless otherwise indicated, for every kind of national protection available): AE, AG, AL, AM,

AO, AT, AU, AZ, BA, BB, BG, BH, BR, BW, BY, BZ, CA, CH, CL, CN, CO, CR, CU, CZ, DE, DK, DM, DO, DZ, EC, EE, EG, ES, FI, GB, GD, GE, GH, GM, GT, HN, HR, HU, ID, IL, IN, IS, JP, KE, KG, KM, KN, KP, KR, KZ, LA, LC, LK, LR, LS, LT, LU, LY, MA, MD, ME, MG, MK, MN, MW, MX, MY, MZ, NA, NG, NI, NO, NZ, OM, PE, PG, PH, PL, PT, QA, RO, RS, RU, RW, SC, SD, SE, SG, SK, SL, SM, ST, SV, SY, TH, TJ, TM, TN, TR, TT, TZ, UA, UG, US, UZ, VC, VN, ZA, ZM, ZW.

- (84) Designated States (unless otherwise indicated, for every kind of regional protection available): ARIPO (BW, GH, GM, KE, LR, LS, MW, MZ, NA, RW, SD, SL, SZ, TZ, UG, ZM, ZW), Eurasian (AM, AZ, BY, KG, KZ, RU, TJ, TM), European (AL, AT, BE, BG, CH, CY, CZ, DE, DK, EE, ES, FI, FR, GB, GR, HR, HU, IE, IS, IT, LT, LU, LV, MC, MK, MT, NL, NO, PL, PT, RO, RS, SE, SI, SK, SM, TR), OAPI (BF, BJ, CF, CG, CI, CM, GA, GN, GQ, GW, ML, MR, NE, SN, TD, TG).

Published:

- with international search report (Art. 21(3))
- before the expiration of the time limit for amending the claims and to be republished in the event of receipt of amendments (Rule 48.2(h))

- (88) Date of publication of the international search report:
25 April 2013

(54) Title: PEDALING TORQUE SENSOR DEVICE FOR EACH CYCLIST'S LEG AND POWER METER APPARATUS

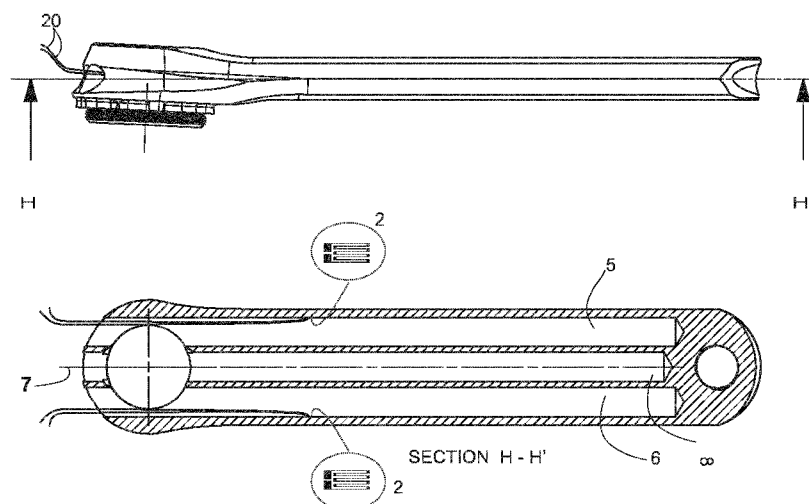


FIG. 2

(57) Abstract: Pedaling torque sensor crank arm (1) for any single cyclist's leg, consisting of a crank arm internally instrumented to know its deflection in the pedaling plane. This crank arm is symmetric with respect to the plane containing the bottom bracket axis (3) and the pedal axis (4) and has two respectively symmetrical straight holes (5, 6) with respect to this plane, longitudinally executed inside the crank arm from its end corresponding to the bottom bracket axis, housing strain gauges (2) attached inside the holes. It is also object of the invention a power meter apparatus (40) comprising two of said pedaling torque sensor, and which incorporates a computing utility for pedaling training, and optionally activated by the cyclist, that generates a warning signal sound whenever this utility detects a negative torque application in one of the cyclist's legs.



INTERNATIONAL SEARCH REPORT

International application No
PCT/EP2012/064432

A. CLASSIFICATION OF SUBJECT MATTER
INV. G01L3/00
ADD.
According to International Patent Classification (IPC) or to both national classification and IPC

B. FIELDS SEARCHED
Minimum documentation searched (classification system followed by classification symbols)
G01L
Documentation searched other than minimum documentation to the extent that such documents are included in the fields searched

Electronic data base consulted during the international search (name of data base and, where practicable, search terms used)
EPO-Internal, WPI Data

C. DOCUMENTS CONSIDERED TO BE RELEVANT		
Category*	Citation of document, with indication, where appropriate, of the relevant passages	Relevant to claim No.
X	WO 2011/030215 A1 (STUDIO A I P S R L [IT]; BRIVIO ANTONIO [IT]; BRIVIO MARCO [IT]) 17 March 2011 (2011-03-17) cited in the application abstract; figures 2,6-8	1-12
A	US 2010/024590 A1 (O'NEILL GEORGE DAVID [US] ET AL) 4 February 2010 (2010-02-04) cited in the application abstract; figure 3	1
A	WO 2011/063468 A1 (ENTECHO PTY LTD [AU]; LONGMAN DAVID JOHN [AU]) 3 June 2011 (2011-06-03) abstract; figures 3,4,10 page 8, lines 31-33 page 23, lines 19-32	1

Further documents are listed in the continuation of Box C.

See patent family annex.

* Special categories of cited documents :

- "A" document defining the general state of the art which is not considered to be of particular relevance
- "E" earlier application or patent but published on or after the international filing date
- "L" document which may throw doubts on priority claim(s) or which is cited to establish the publication date of another citation or other special reason (as specified)
- "O" document referring to an oral disclosure, use, exhibition or other means
- "P" document published prior to the international filing date but later than the priority date claimed

- "T" later document published after the international filing date or priority date and not in conflict with the application but cited to understand the principle or theory underlying the invention
- "X" document of particular relevance; the claimed invention cannot be considered novel or cannot be considered to involve an inventive step when the document is taken alone
- "Y" document of particular relevance; the claimed invention cannot be considered to involve an inventive step when the document is combined with one or more other such documents, such combination being obvious to a person skilled in the art
- "&" document member of the same patent family

Date of the actual completion of the international search 19 February 2013	Date of mailing of the international search report 28/02/2013
Name and mailing address of the ISA/ European Patent Office, P.B. 5818 Patentlaan 2 NL - 2280 HV Rijswijk Tel. (+31-70) 340-2040, Fax: (+31-70) 340-3016	Authorized officer Mihai Vasile

INTERNATIONAL SEARCH REPORT

Information on patent family members

International application No PCT/EP2012/064432

Patent document cited in search report	Publication date	Patent family member(s)	Publication date
WO 2011030215 A1	17-03-2011	EP 2477881 A1 WO 2011030215 A1	25-07-2012 17-03-2011

US 2010024590 A1	04-02-2010	EP 2304403 A1 US 2010024590 A1 WO 2010014242 A1	06-04-2011 04-02-2010 04-02-2010

WO 2011063468 A1	03-06-2011	AU 2010324542 A1 EP 2504678 A1 US 2012330572 A1 WO 2011063468 A1	21-06-2012 03-10-2012 27-12-2012 03-06-2011
