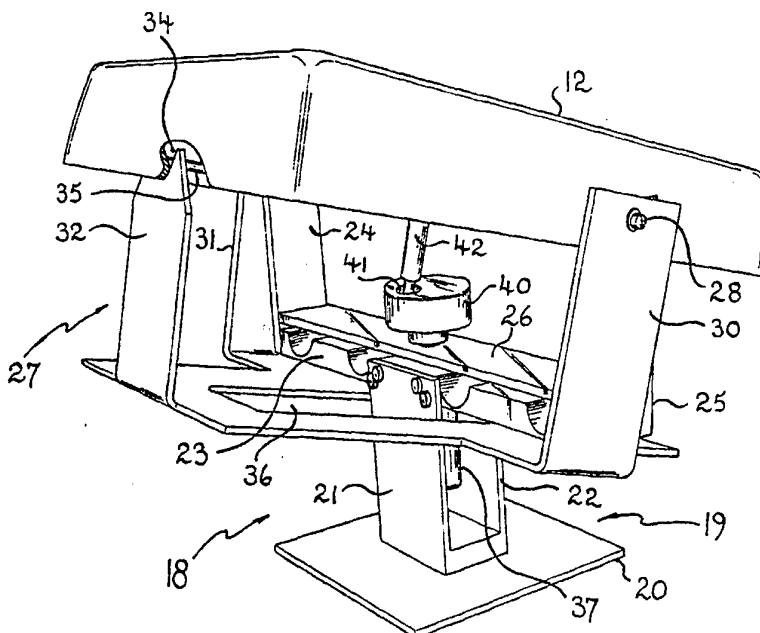




INTERNATIONAL APPLICATION PUBLISHED UNDER THE PATENT COOPERATION TREATY (PCT)

<p>(51) International Patent Classification⁶ : B01F 11/00</p>	<p>A1</p>	<p>(11) International Publication Number: WO 95/04591</p> <p>(43) International Publication Date: 16 February 1995 (16.02.95)</p>
<p>(21) International Application Number: PCT/AU94/00449</p> <p>(22) International Filing Date: 5 August 1994 (05.08.94)</p> <p>(30) Priority Data: PM 0420 5 August 1993 (05.08.93) AU</p> <p>(71) Applicant (for all designated States except US): MAX-MEDICAL PTY. LTD. [AU/AU]; 15 Loftus Street, Nedlands, W.A. 6009 (AU).</p> <p>(72) Inventor; and (75) Inventor/Applicant (for US only): WHISSON, Maxwell, Edmund [AU/AU]; 15 Loftus Street, Nedlands, W.A. 6009 (AU).</p> <p>(74) Agents: HARWOOD, Errol, John et al.; Wray & Associates, Primary Industry House, 239 Adelaide Terrace, Perth, W.A. 6000 (AU).</p>		<p>(81) Designated States: AM, AT, AU, BB, BG, BR, BY, CA, CH, CN, CZ, DE, DK, ES, FI, GB, GE, HU, JP, KE, KG, KP, KR, KZ, LK, LT, LU, LV, MD, MG, MN, MW, NL, NO, NZ, PL, PT, RO, RU, SD, SE, SI, SK, TJ, TT, UA, US, UZ, VN, European patent (AT, BE, CH, DE, DK, ES, FR, GB, GR, IE, IT, LU, MC, NL, PT, SE), OAPI patent (BF, BJ, CF, CG, CI, CM, GA, GN, ML, MR, NE, SN, TD, TG), ARIPO patent (KE, MW, SD).</p> <p>Published With international search report.</p>

(54) Title: DEVICE FOR MIXING LIQUIDS



(57) Abstract

A mixing means comprising a platform (12) which is configured to be able to support a receptacle containing a quantity of liquid. The platform (12) being supported from a base (18) to be pivotable about a first axis and a second axis where the first and second axes are perpendicular to each other, a drive means (37, 39, 40 and 42) provided between the base (18) and the platform (12) to cause joint pivotable movement of the platform (12) about both the first and second axes to effect a rocking action of the platform (12). A particular application of the invention relates to a device which can be used during blood collection to facilitate mixing of the blood being collected.

FOR THE PURPOSES OF INFORMATION ONLY

Codes used to identify States party to the PCT on the front pages of pamphlets publishing international applications under the PCT.

AT	Austria	GB	United Kingdom	MR	Mauritania
AU	Australia	GE	Georgia	MW	Malawi
BB	Barbados	GN	Guinea	NE	Niger
BE	Belgium	GR	Greece	NL	Netherlands
BF	Burkina Faso	HU	Hungary	NO	Norway
BG	Bulgaria	IE	Ireland	NZ	New Zealand
BJ	Benin	IT	Italy	PL	Poland
BR	Brazil	JP	Japan	PT	Portugal
BY	Belarus	KE	Kenya	RO	Romania
CA	Canada	KG	Kyrgystan	RU	Russian Federation
CF	Central African Republic	KP	Democratic People's Republic of Korea	SD	Sudan
CG	Congo	KR	Republic of Korea	SE	Sweden
CH	Switzerland	KZ	Kazakhstan	SI	Slovenia
CI	Côte d'Ivoire	LI	Liechtenstein	SK	Slovakia
CM	Cameroon	LU	Luxembourg	SN	Senegal
CN	China	LV	Larvia	TD	Chad
CS	Czechoslovakia	LU	Luxembourg	TG	Togo
CZ	Czech Republic	LV	Larvia	TJ	Tajikistan
DE	Germany	MC	Monaco	TT	Trinidad and Tobago
DK	Denmark	MD	Republic of Moldova	UA	Ukraine
ES	Spain	MG	Madagascar	US	United States of America
FI	Finland	ML	Mali	UZ	Uzbekistan
FR	France	MN	Mongolia	VN	Viet Nam
GA	Gabon				

- 1 -

"DEVICE FOR MIXING LIQUIDS"

THIS INVENTION relates to a device which can be used to effect mixing of liquids.

A particular application of the invention relates to a device which can be utilised during blood collection to facilitate the mixing of the blood being collected with an anticoagulant in such a way that the blood components do not become segregated. It should be appreciated however, that the invention need not be limited in its scope to such an application.

In one form the invention resides in a mixing means comprising a platform configured to support a receptacle containing a quantity of liquid, said platform being supported from a support to be pivotable about a first axis, said support being supported from a base where the support is pivotable from the base about a second axis, said first and second axes being substantially perpendicular, a drive provided between the base and the platform to cause joint pivotal movement of the platform about both the first and second axes to effect a rocking action of the platform.

According to a preferred feature of the invention the support is provided with a pair of first spaced pivots located along said first axis where said platform is pivotally supported from said first pivots. In addition, the support is supported from the base by a pair of spaced second pivots spaced along said second axis. It is preferred that the weight carried by each of said first pivots is substantially equal. It is also preferred that the weight carried by each of said second pivots is substantially equal.

- 2 -

According to a further preferred feature of invention the drive means comprises a substantially vertical upright drive shaft having a laterally extending support element, said platform being provided with a downwardly depending member pivotally engagable with the support element whereby rotation of the drive shaft causes said joint pivotal movement of the platform.

According to a preferred feature of the invention said platform is configured to receive a receptacle in the form of a closed bag formed of a flexible material. Preferably the platform is formed as a tray having upstanding sides.

According to a preferred feature of the invention the interconnection between the support and the base incorporate a weight sensing and measuring means.

The invention will be more fully understood in the light of the following description of one specific embodiment. The description is made with reference to the accompanying drawings of which:

Figure 1 is an isometric view of a blood collection monitoring apparatus according to the embodiment;

Figure 2 is a sectional side elevation of the base portion of the embodiment;

Figure 3 is a sectional end elevation of the base according to the embodiment; and

Figure 4 is an isometric view of the tray support of the embodiment.

The embodiment is directed towards a device which can be used for the collection of blood and monitoring such collection.

- 3 -

The embodiment comprises a housing 10 having a lower portion 11 which accommodates a support tray 12 and a drive means for causing reciprocation of the tray. The housing further comprises an upper portion 13 which extends upwardly from one side of the base 11 and accommodates an appropriate control switch 14, a display 15, and flow line support 16. Both the lower and upper portion 11 and 13 accommodate the control circuitry for the device.

The lower portion 11 is essentially cubic in configuration and is provided with an open upper face 17. The support tray 12 is configured such that it is received within the upper face 17 and is supported to be able to be caused to pivot about two substantially horizontal perpendicular axes in the open face 17. The tray 12 is formed with an upper face which is recessed in a manner such that it will support a blood collection bag and will prevent substantial movement of the bag on the tray as a result of the cyclic tilting action of the tray.

The support tray 12 is supported within the base 11 from a support structure 18 (see Figure 3) which has a base 19 defined by a lower plate 20 which is adapted to be fixed to the bottom wall of the lower portion 11 of the housing. The base has an upstanding pair of parallel webs 21 and 22. The upper ends of the webs 21 and 22 support the central portion of a beam 23 which extends to each side of the space between the webs 21 and 22 and which supports an upright 24 and 25 at each end. The uprights 24 and 25 are further interconnected by a secondary beam 26 which lies parallel to the primary beam 23 and is spaced upwardly therefrom.

The upper end of each of the uprights 24 and 25 pivotally supports a support frame 27 through pivots 28 and 29 where

- 4 -

the pivot axis between the pivots 28 and 29 is substantially horizontal.

The support frame 27 is of a generally cruciform configuration where the end of each arm is formed with an upwardly extending portion which provides two pairs of upwardly extending arms. The arms of each pair of arms are opposite each other and the axes interconnecting the pairs of arms are substantially perpendicular. One pair of upwardly extending arms 30 and 31 are pivotally mounted to the uprights 24 and 25 through the pivots 28 and 29 respectively to be pivotally supported from the base element 19 about the axis between the pivots 28 and 29. The other pair of upwardly extending arms 32 and 33 are each formed with a V-shaped recess 34 which each pivotally receive a pivot pin or shaft 35 provided on the underneath the tray 12 towards each end thereof such that the tray is pivotally supported between the second pair of upwardly projecting arms 32 and 33 for pivotable movement about the axis of the shaft 35.

The central portion of the support frame which accommodates the second pair of upwardly extending arms 32 and 33 is formed with a slot shaped aperture 36 which has a width greater than the width of the webs 21 and 22 and which enables the support frame 27 to pivot over the base about the pivots 28 and 29.

The base 19 also supports a drive motor 37 which is supported from the secondary beam 26 to depend downwardly therefrom but which is received within an opening 38 provided in the primary beam 23 such that it does not interfere with and is not supported in any way, by the primary beam 23. The drive motor 37 is provided with an upwardly extending drive shaft 39 which has a wheel 40 mounted to its upper end. The wheel 40 is formed in its upper surface with a socket 41 at a position offset from

- 5 -

the central axis of the wheel 40 and the shaft 39. If desired the wheel can be replaced by a crank or like device.

The underneath of the tray 12 is provided with a downwardly depending shaft 42 which is formed at its lower end with a ball-shaped element (not shown) which is pivotally received within the socket 41. The shaft 42 is located centrally on the tray 12. On rotation of the wheel 40 as a result of the activation of the drive motor 37 the free end of the downwardly extending shaft 42 is caused to orbit around the central axis of the shaft and wheel and as a result the tray 12 is caused to pivot about the central axis of the shaft 35 between the second pair of upwardly extending arms 32 and 33 and the axis between the pivots 28 and 29 provided between the uprights 24 and 25 on the base 19. This joint cyclic tilting of the tray 12 about a pair of substantially perpendicular axes provides an action which facilitates the rapid and consistent mixing of blood and anticoagulant within a bag which is supported on the tray 12.

The operation of the drive motor through the control circuit is such that each time the drive motor stops the wheel the tray is at the same position. This is facilitated by the present of a magnet mounted to the wheel 80 (not shown) which is associated with a Hall effect sensor (not shown) provided on the secondary beam 26 to enable the control circuit to always stop the drive motor 37 with the tray in the same position. In use a receptacle is placed on the tray such that the inlet is lowermost. As a result blood entering the receptacle must flow through the anticoagulant accommodated within the receptacle when the tray is stationary.

The mounting and construction of the tray is such that it can be readily lifted out of engagement with the recesses

- 6 -

34 on the arms 32 and 33 of the support frame 27 and out of engagement with the wheel for the tray to be cleaned. When cleaned the tray is readily capable of being re-engaged with the support 27 and the wheel.

It has been found that the repetitive tilting of the tray about two axes, as a result of the construction according to the embodiment, enables the blood, collected during a normal six minute donation period, to be rapidly mixed with the anticoagulant contained within the receiving bag with little segregation of the constituents of the blood, such as accumulation of red blood cells which has been a common difficulty with mechanisms used in the past.

In this regard high concentrations of the anticoagulant has toxic effects on blood while lack of anticoagulant results in the blood results in the initial phases of blood coagulation. If the mixing of the blood with the anticoagulant is slow or not even distributed the blood can remain segregated from the anticoagulant for an extensive period of time. This results in the blood in contact with the anticoagulant being subject to excessive concentrations of anticoagulant and the blood lying in the bottom of the bag which is separated from the anticoagulant commencing the initial coagulation stages.

The primary beam 23 of the base provides the primary support for the tray, its contents and the support frame 27 from the base 19. The primary beam 23 is supported symmetrically from the webs 21 and 22 and also symmetrically supports the tray 12 and its contents. The beam is formed with a set of four symmetrically located transverse grooves 39 and each groove is associated with a strain gauge 40. The strain gauges are interconnected to an electrical circuit which is able to provide a measure indicative of the weight of the tray and its contents. In addition the control circuitry is able to provide a display

- 7 -

representative of the weight of the contents of the bag in the tray and the rate of change of the weight of the contents of the tray. The configuration and construction of the primary beam may take any desirable form to facilitate the symmetrical support and use of four strain gauges to provide a measure representative of weight.

In operation the drive motor 37 is activated intermittently whereby during each rest period the weight as sensed by the strain gauges 40, is measured and the change in weight since the previous rest period is determined.

The support arrangement for the tray according to the embodiment as described above comprises a means whereby the pivotal support for the tray and the drive for causing such pivotal movement of the tray is carried from a common carriage which is in turn supported symmetrically from the base element whereby the nature of the support provided for the carriage enables the weight of the tray, the support carriage and the contents of the tray can be accurately monitored, to ensure accurate monitoring of the contents of the tray 12.

The upper portion 13 of the housing is provided with a flow line support 16 which comprises a set of three upwardly fixed extending spigots 41 and a fourth movable spigot 42. The fixed spigots 41 together form a triangular array of spigots. The movable spigot 42 is capable of moving towards the central spigot 41a. In use a blood flow line is laced between the movable spigot 42 and the three fixed spigots 41. The movable spigot 42 is associated with a latch means which is activated by a solenoid or like device which on activation will cause the movable spigot 42 to move towards the fixed spigots 41 whereby the flow line is clamped to prevent flow of blood through that line.

- 8 -

The control of the flow line support means 16 is effected from the control circuit accommodated within the upper portion 13 of the housing to control the flow of blood to the receptacle carried on the tray 12.

The control circuit incorporates a main control switch 50 to initiate the operation of the device. In addition the control circuit is provided with a micro processor which in association with the display 15 provides a set of instructions to the operator and which controls the flow line support in association with those instructions. The control circuit is further provided with appropriate toggle switches 14 and memory circuitry which enable a value for a predetermined volume of blood which is to be collected to be introduced into the memory of the control circuit such that on that volume having been collected the flow line support will be activated to prevent any further flow of blood to the receptacle. On first use of the device the volume or weight of blood to be collected is stored into the memory. This can be varied from time to time but the memory will retain the figure previously entered until it is subsequently changed.

The control circuit is also able to provide a display of the amount of blood collected by indicating the weight of blood collected or the volume of the blood collected. In providing such the circuit operates on the measure derived from the weight sensing circuit to provide a measure of the volume. If desired a suitable switch may be provided with the display to be able to change the display from indicating weight to indicate volume during operation of the device.

The display provides a multiple of displays. One form of display provides an accurate digital display of the volume and/or weight of blood in the collection bag and the time elapsed since the collection of blood commenced. The other

- 9 -

form of display comprises an array of lights which are activated sequentially whereby at the commencement of collection no lights are activated and at the termination of collection when the predetermined volume of blood has been collected (irrespective of that amount) all of the lights are lit. As a result the array of lights enable a ready determination to be made of the percentage of the amount to be collected which has actually been received in the collection bag. The display can also provide a periodic audio signal indicative of the percentage of the collection that has been received. This may comprise a variable signal which varies in pitch and frequency throughout the collection period.

At the commencement of the use of the apparatus it is switched on and the user is instructed by the display to locate a collection bag on the tray. Only after a collection bag is located on the tray 12 will the apparatus proceed to the next step at which the display is set to indicate zero in relation to both the weight and/or volume of blood in the collection bag. The sensing of the presence of a collection bag in the tray may be effected by sensing the increased weight of the tray due to the collection bag or by means of a light sensitive cell located on the tray. The flow line to the tray is then installed in the flow line support 16 and is connected to a donor. When the receptacle and flow line are in position, blood begins to flow to the receptacle and on an initial quantity of blood being received (e.g. 20 grams) the control circuit activates the drive motor 37 to cause the cyclic tilting of the tray 12 about its pivot axes. Such activation of the motor is intermittent and is for a period of several rotations of the wheel. During each rest phase the weight of the tray and the receptacle is measured. The control circuit then compares the weight currently being measured with the weight previously measured and provides

- 10 -

an indication at the display of the current weight of the contents of the tray.

If desired the display can also provide an indication of the flow rate which is derived from the change in weight of the contents of the tray between the current measurement and the previous measurement. In the event of the flow rate not being within a satisfactory range a further display is provided and the display is associated with a suitable audible alarm to draw the attention of the operator to the low flow rate in order that the matter can be rectified. After intervention by the operator the operator may press the main control switch 50 again whereon the control circuit will enable the display to continue as if the interruption had not occurred.

In addition, the control circuit is such that it will not accept any spurious indicators of mass or volume of the contents of the receptacle which is contrary to the expected flow rate from a donor. Such a circumstance can arise when an operator taps or touches the receptacle which results in an excessive weight being measured by the control circuit and where the weight measured is not representative of the actual weight of the contents of the tray. This rapid weight increase would be beyond that which one would normally expect from a blood donor. The microprocessor is programmed not to accept any measurements which are beyond the normal flow rates expected of a donor and which are not representative of the actual flow rate to the bag. Therefore the control circuit ignores any spurious weight indicators that may result from the receptacle being inadvertently knocked or tapped, and will not shut off the blood flow in the event of such an incident.

The upper portion of the housing is also provided with a set of photovoltaic cells 51 which are associated with a

- 11 -

set of electrolytic storage batteries and a charging circuit. These enable the device to be portable and capable of being independent of a mains power supply.

The control circuit also includes a Calibration programme whereby the weighing sensor may be calibrated. The programme provides a sequence of instructions on the display. The instructions require the operator to locate a set of standard weights (e.g. 10g, 20g, 30g weights sequentially) on the tray and on location of each weight the circuit calibrates the sensor. This Calibration programme can be initiated at any time the device is not in collection mode.

It should be appreciated that the scope of the present invention need not be limited to the particular scope of the embodiment described above.

- 12 -

THE CLAIMS defining the invention are as follows:-

1. A mixing means comprising a platform configured to support a receptacle containing a quantity of liquid, said platform being supported from a base to be pivotable about a first axis, and a second axis, said first and second axes being perpendicular to each other, a drive provided between the base and the platform to cause joint pivotable movement of the platform about both first and second axes to effect a rocking action of the platform.
2. A mixing means as claimed at claim 1 wherein the platform is supported from the base through a support which is pivotably supported from the base for pivotable movement about the second axis, said platform being supported from the support for pivotable movement about the first axis.
3. A mixing means as claimed at claim 2 wherein the support is provided with a pair of first spaced pivots located along the first axis and where the platform is pivotally supported from said first pivots.
4. A mixing means as claimed at claim 3 wherein the weight carried by the first pivot is substantially equal.
5. A mixing means as claimed at any one of claims 2, 3 or 4 wherein the support is supported from the base by a pair of spaced second pivots spaced along the second axis.
6. A mixing means as claimed at claim 5 wherein the weight carried by the second pivots is substantially equal.
7. A mixing means as claimed at any one of claims 2 to 6 wherein the base comprises a transverse beam centrally supported and supporting said support from each end through said second pivots.

- 13 -

8. A mixing means as claimed at claim 7 wherein the transverse beam is provided with a strain gauge to provide a signal indicative of the weight contents of the platform.

9. A mixing means as claimed at any one of the preceding claims wherein the drive means comprises a substantially upright drive shaft having a laterally extending support element, said platform being provided with a downwardly depending member pivotally engagable with the support element whereby rotation of the drive shaft causes said joint pivotable movement of the platform.

10. A mixing means as claimed at any one of the preceding claims wherein the platform is configured to receive a receptacle in the form of a closed bag formed of a flexible material.

11. A platform as claimed at claim 10 wherein the platform is formed as a tray having upstanding sides.

12. A mixing means as claimed at any one of the preceding claims wherein the interconnection between the base and platform includes a weight sensing means to provide a signal indicative of the contents of the platform.

13. A mixing means as claimed at any one of the preceding claims wherein the tray is adapted to accommodate a blood collection receptacle.

14. A mixing means substantially as herein described.

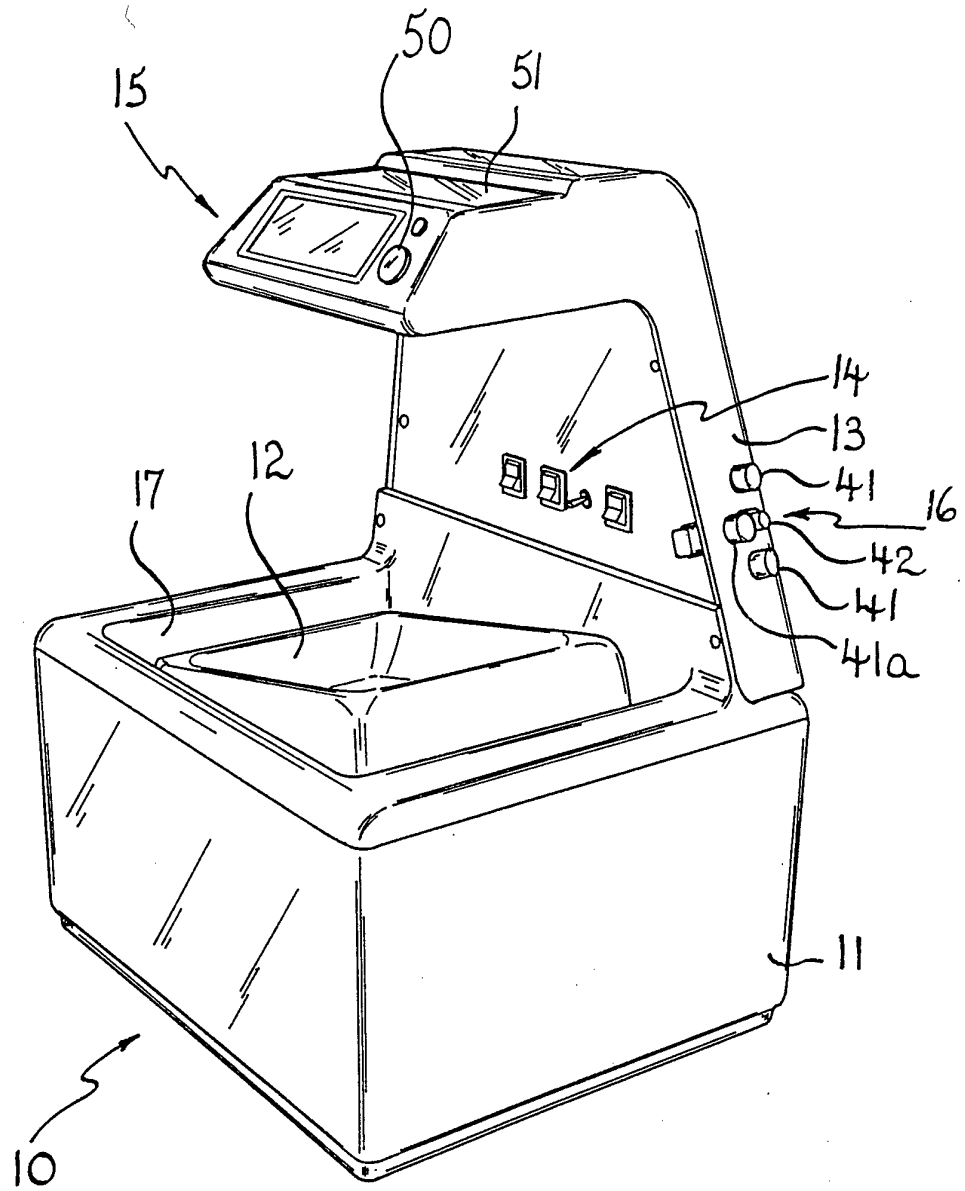


Fig. 1.

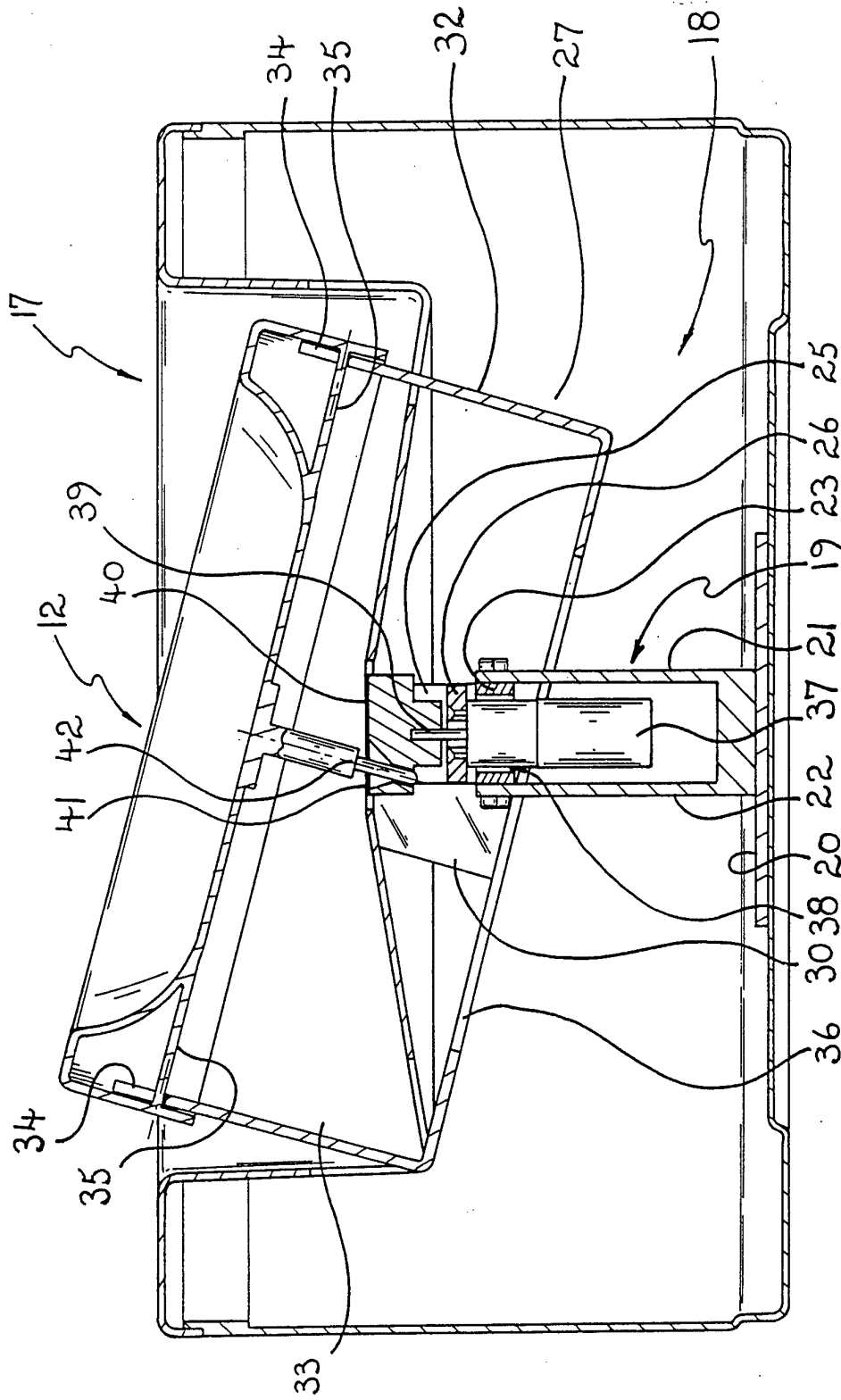


Fig. 2.

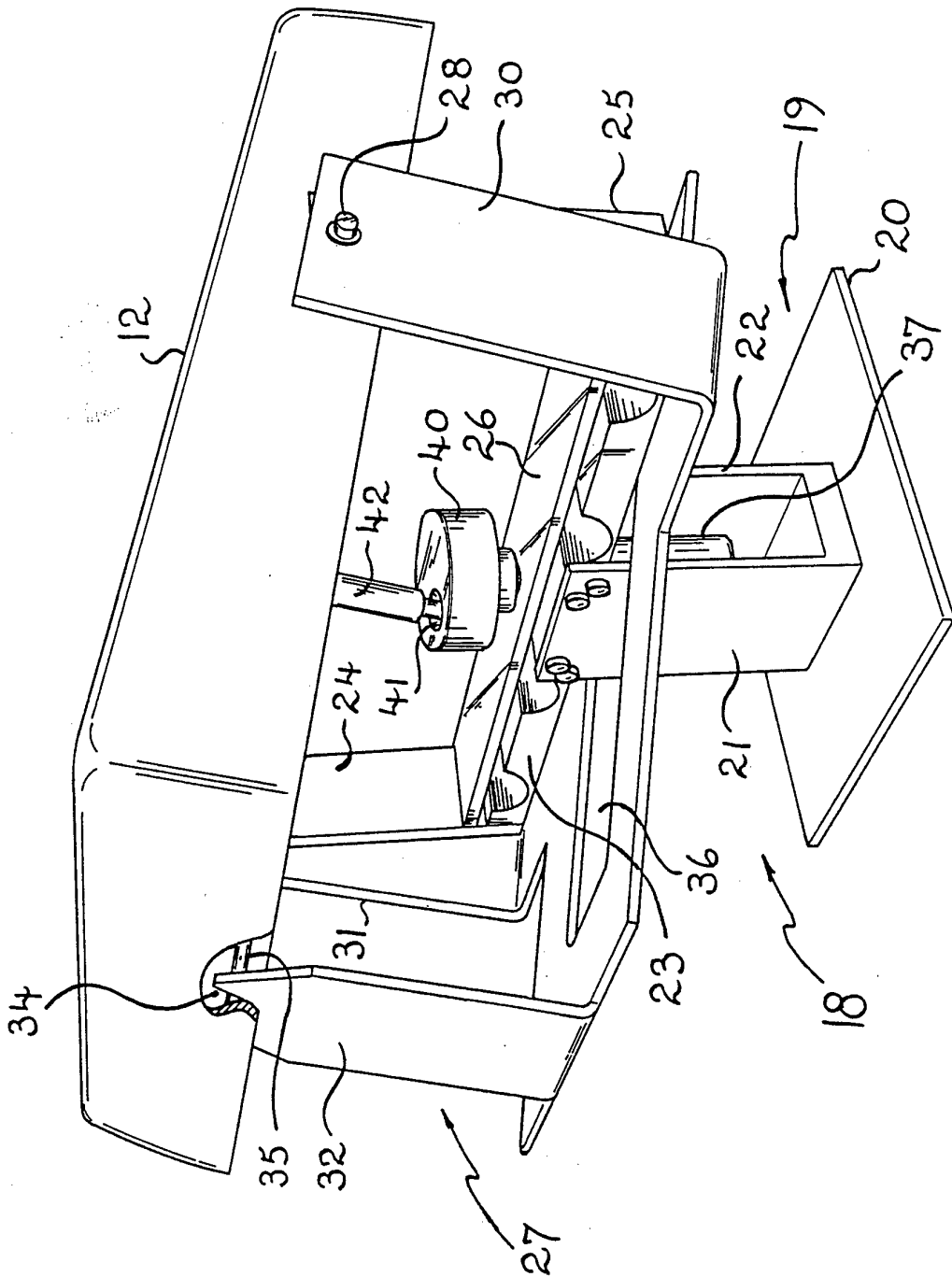


Fig. 4.

INTERNATIONAL SEARCH REPORT

International application No.

PCT/AU 94/00449

C(Continuation). DOCUMENTS CONSIDERED TO BE RELEVANT		
Category*	Citation of document, with indication, where appropriate of the relevant passages	Relevant to Claim No.
X	FR,A, 2574540 (BRUNET) 13 June 1986 (13.06.86) See Fig 1, claim 1	1,9-14
X	WO,A, 91/10503 (BIOMASH PRODUCTION TRUST et al.) 25 July 1991 (25.07.91) See abstract	1,14
X	Derwent Abstracts Accession No. 22532C/13, Class J02, JP,A, 5020626 (MOCHIDA PHARM. KK) 14 February 1978 (14.02.78) See whole abstract	1,9