



- (51) International Patent Classification:  
*E01F 13/02* (2006.01)
- (21) International Application Number:  
PCT/GB2012/051288
- (22) International Filing Date:  
8 June 2012 (08.06.2012)
- (25) Filing Language: English
- (26) Publication Language: English
- (30) Priority Data:  
1109589.0 8 June 2011 (08.06.2011) GB
- (72) Inventor; and  
(71) Applicant : WETTERN, Laurence P. [GB/GB]; Brook House, Netherbury, Bridport, Dorset DT6 5LX (GB).
- (74) Agents: GILLAM, Francis et al.; 34 East Stockwell Street, Colchester, Essex CO1 1ST (GB).
- (81) Designated States (unless otherwise indicated, for every kind of national protection available): AE, AG, AL, AM, AO, AT, AU, AZ, BA, BB, BG, BH, BR, BW, BY, BZ, CA, CH, CL, CN, CO, CR, CU, CZ, DE, DK, DM, DO, DZ, EC, EE, EG, ES, FI, GB, GD, GE, GH, GM, GT, HN,

HR, HU, ID, IL, IN, IS, JP, KE, KG, KM, KN, KP, KR, KZ, LA, LC, LK, LR, LS, LT, LU, LY, MA, MD, ME, MG, MK, MN, MW, MX, MY, MZ, NA, NG, NI, NO, NZ, OM, PE, PG, PH, PL, PT, QA, RO, RS, RU, RW, SC, SD, SE, SG, SK, SL, SM, ST, SV, SY, TH, TJ, TM, TN, TR, TT, TZ, UA, UG, US, UZ, VC, VN, ZA, ZM, ZW.

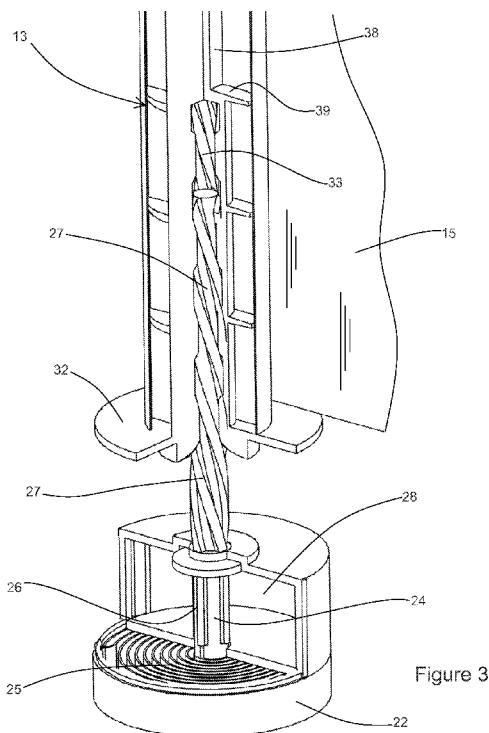
- (84) Designated States (unless otherwise indicated, for every kind of regional protection available): ARIPO (BW, GH, GM, KE, LR, LS, MW, MZ, NA, RW, SD, SL, SZ, TZ, UG, ZM, ZW), Eurasian (AM, AZ, BY, KG, KZ, RU, TJ, TM), European (AL, AT, BE, BG, CH, CY, CZ, DE, DK, EE, ES, FI, FR, GB, GR, HR, HU, IE, IS, IT, LT, LU, LV, MC, MK, MT, NL, NO, PL, PT, RO, RS, SE, SI, SK, SM, TR), OAPI (BF, BJ, CF, CG, CI, CM, GA, GN, GQ, GW, ML, MR, NE, SN, TD, TG).

**Published:**

- with international search report (Art. 21(3))
- before the expiration of the time limit for amending the claims and to be republished in the event of receipt of amendments (Rule 48.2(h))

- (88) Date of publication of the international search report:  
10 May 2013

(54) Title: CROWD CONTROL BARRIER



(57) Abstract: A holder assembly for a crowd control barrier has a bobbin 13 rotatably mounted within a container 12 and configured to have a flexible band 15 wound therearound with the free end 16 of the band emerging from the container whereby the band may be extended so that the free end can be connected to a remote support. When assembled, a spring 25 acts on the bobbin 13 such that tension in the spring is increased as the band 15 is extended whereby the spring may re-wind the band on to the bobbin. The bobbin 13 is axially insertable into and removable from the container 12 to allow the band to be changed. The spring 25 is associated with a carrier 24 and there is a screw-threaded mechanism 27 arranged to rotate the carrier 24 to pre-load the spring 25, as the bobbin 13 is inserted into the container 12.

INTERNATIONAL SEARCH REPORT

International application No  
PCT/GB2012/051288

A. CLASSIFICATION OF SUBJECT MATTER  
INV. E01F13/02  
ADD.  
According to International Patent Classification (IPC) or to both national classification and IPC

B. FIELDS SEARCHED  
Minimum documentation searched (classification system followed by classification symbols)  
E01F E06B

Documentation searched other than minimum documentation to the extent that such documents are included in the fields searched

Electronic data base consulted during the international search (name of data base and, where practicable, search terms used)  
EPO-Internal, WPI Data

C. DOCUMENTS CONSIDERED TO BE RELEVANT

| Category* | Citation of document, with indication, where appropriate, of the relevant passages                                                                              | Relevant to claim No. |
|-----------|-----------------------------------------------------------------------------------------------------------------------------------------------------------------|-----------------------|
| A         | WO 2009/007756 A1 (WETTERN LAURENCE PATRICK [GB]) 15 January 2009 (2009-01-15) cited in the application page 5, line 20 - page 7, line 32; figures 1-9          | 1                     |
| A         | -----<br>GB 2 346 867 A (TENSATOR LTD [GB] TENSATOR LTD [GB]; TENSABARRIER LTD [GB]) 23 August 2000 (2000-08-23) page 5, line 19 - page 6, line 24; figures 1,2 | 1,13                  |
| A         | -----<br>US 6 375 164 B1 (SIEGLER STEPHEN L [US] ET AL) 23 April 2002 (2002-04-23) column 3, line 3 - column 4, line 51; figures 1-12                           | 1,13                  |
|           | -----<br>-/--                                                                                                                                                   |                       |

Further documents are listed in the continuation of Box C.

See patent family annex.

\* Special categories of cited documents :

- "A" document defining the general state of the art which is not considered to be of particular relevance
- "E" earlier application or patent but published on or after the international filing date
- "L" document which may throw doubts on priority claim(s) or which is cited to establish the publication date of another citation or other special reason (as specified)
- "O" document referring to an oral disclosure, use, exhibition or other means
- "P" document published prior to the international filing date but later than the priority date claimed

- "T" later document published after the international filing date or priority date and not in conflict with the application but cited to understand the principle or theory underlying the invention
- "X" document of particular relevance; the claimed invention cannot be considered novel or cannot be considered to involve an inventive step when the document is taken alone
- "Y" document of particular relevance; the claimed invention cannot be considered to involve an inventive step when the document is combined with one or more other such documents, such combination being obvious to a person skilled in the art
- "&" document member of the same patent family

Date of the actual completion of the international search

4 February 2013

Date of mailing of the international search report

11/03/2013

Name and mailing address of the ISA/

European Patent Office, P.B. 5818 Patentlaan 2  
NL - 2280 HV Rijswijk  
Tel. (+31-70) 340-2040,  
Fax: (+31-70) 340-3016

Authorized officer

Flores Hokkanen, P

## INTERNATIONAL SEARCH REPORT

International application No  
PCT/GB2012/051288

| C(Continuation). DOCUMENTS CONSIDERED TO BE RELEVANT |                                                                                                                         |                       |
|------------------------------------------------------|-------------------------------------------------------------------------------------------------------------------------|-----------------------|
| Category*                                            | Citation of document, with indication, where appropriate, of the relevant passages                                      | Relevant to claim No. |
| A                                                    | US 2008/121354 A1 (CHENG SHU-CHEN [TW])<br>29 May 2008 (2008-05-29)<br>paragraphs [0048] - [0050]; figures 4,9<br>----- | 13,24                 |
| A                                                    | DE 20 2007 008184 U1 (BOS GMBH [DE])<br>30 August 2007 (2007-08-30)<br>paragraph [0041]; figures 2a,2b<br>-----         | 24                    |
| A                                                    | US 1 747 081 A (REUKAUF JR EDWARD)<br>11 February 1930 (1930-02-11)<br>page 1, lines 38-52; figure 2<br>-----           | 24                    |

# INTERNATIONAL SEARCH REPORT

International application No.  
PCT/GB2012/051288

## Box No. II Observations where certain claims were found unsearchable (Continuation of item 2 of first sheet)

This international search report has not been established in respect of certain claims under Article 17(2)(a) for the following reasons:

1.  Claims Nos.:  
because they relate to subject matter not required to be searched by this Authority, namely:
  
2.  Claims Nos.:  
because they relate to parts of the international application that do not comply with the prescribed requirements to such an extent that no meaningful international search can be carried out, specifically:
  
3.  Claims Nos.:  
because they are dependent claims and are not drafted in accordance with the second and third sentences of Rule 6.4(a).

## Box No. III Observations where unity of invention is lacking (Continuation of item 3 of first sheet)

This International Searching Authority found multiple inventions in this international application, as follows:

see additional sheet

1.  As all required additional search fees were timely paid by the applicant, this international search report covers all searchable claims.
  
2.  As all searchable claims could be searched without effort justifying an additional fees, this Authority did not invite payment of additional fees.
  
3.  As only some of the required additional search fees were timely paid by the applicant, this international search report covers only those claims for which fees were paid, specifically claims Nos.:  
  
1-15, 24-29
  
4.  No required additional search fees were timely paid by the applicant. Consequently, this international search report is restricted to the invention first mentioned in the claims; it is covered by claims Nos.:

### Remark on Protest

- The additional search fees were accompanied by the applicant's protest and, where applicable, the payment of a protest fee.
- The additional search fees were accompanied by the applicant's protest but the applicable protest fee was not paid within the time limit specified in the invitation.
- No protest accompanied the payment of additional search fees.

**FURTHER INFORMATION CONTINUED FROM PCT/ISA/ 210**

This International Searching Authority found multiple (groups of) inventions in this international application, as follows:

## 1. claims: 1-12

Holder assembly for crowd control barrier with a bobbin having a flexible band wound therearound, whereas on axial insertion of the bobbin into its corresponding container, screw-thread means rotate the tension spring for the flexible band to pre-load it

---

## 2. claims: 13-15

Holder assembly for crowd control barrier with a bobbin having a flexible band wound therearound and a flexible tension member which is increasingly wound around the bobbin as tension is released from the spring for the flexible band

---

## 3. claims: 16-23

Holder assembly for crowd control barrier with a rotatably mounted bobbin having a flexible band wound therearound, the ends of the bobbin being journalled one in a fixed bearing and the other one in a bearing floating transversely

---

## 4. claims: 24-29

Crowd control barrier with a bobbin having a flexible band wound therearound, the bobbin defining a plurality of slots with a catch, the end portion of the band remote from the free end having a plurality of tongues with apertures so that the tongues are retained within the slots

---

# INTERNATIONAL SEARCH REPORT

Information on patent family members

International application No

PCT/GB2012/051288

| Patent document cited in search report | Publication date | Patent family member(s) | Publication date |
|----------------------------------------|------------------|-------------------------|------------------|
| WO 2009007756                          | A1               | 15-01-2009              | AT 546588 T      |
|                                        |                  |                         | EP 2183433 A1    |
|                                        |                  |                         | US 2010181544 A1 |
|                                        |                  |                         | WO 2009007756 A1 |
| -----                                  |                  |                         |                  |
| GB 2346867                             | A                | 23-08-2000              | NONE             |
| -----                                  |                  |                         |                  |
| US 6375164                             | B1               | 23-04-2002              | NONE             |
| -----                                  |                  |                         |                  |
| US 2008121354                          | A1               | 29-05-2008              | NONE             |
| -----                                  |                  |                         |                  |
| DE 202007008184                        | U1               | 30-08-2007              | NONE             |
| -----                                  |                  |                         |                  |
| US 1747081                             | A                | 11-02-1930              | NONE             |
| -----                                  |                  |                         |                  |