

(19) **DANMARK**

(10) **DK/EP 3237777 T3**



(12) **Oversættelse af  
europæisk patentskrift**

Patent- og  
Varemærkestyrelsen

- 
- (51) Int.Cl.: **F 16 G 11/00 (2006.01)** **A 01 G 17/04 (2006.01)** **F 16 B 7/22 (2006.01)**  
**F 16 M 13/02 (2006.01)**
- (45) Oversættelsen bekendtgjort den: **2020-03-23**
- (80) Dato for Den Europæiske Patentmyndigheds bekendtgørelse om meddelelse af patentet: **2020-02-26**
- (86) Europæisk ansøgning nr.: **15820878.5**
- (86) Europæisk indleveringsdag: **2015-12-17**
- (87) Den europæiske ansøgnings publiceringsdag: **2017-11-01**
- (86) International ansøgning nr.: **GB2015000324**
- (87) Internationalt publikationsnr.: **WO2016102907**
- (30) Prioritet: **2014-12-23 GB 201423161** **2014-12-24 GB 201423235**  
**2015-02-20 GB 201502897** **2015-12-16 GB 201522204**
- (84) Designerede stater: **AL AT BE BG CH CY CZ DE DK EE ES FI FR GR HR HU IE IS IT LI LT LU LV MC MK MT NL NO PL PT RO RS SE SI SK SM TR**
- (73) Patenthaver: **Gripple Limited, The Old West Gun Works , Saville Street East, Sheffield, South Yorkshire S4 7UQ, Storbritannien**
- (72) Opfinder: **CLARKE, Neil, 33 Greystones Crescent, Sheffield, South Yorkshire S11 7JN, Storbritannien**  
**BUTTERWORTH, John, 51 Bates Street, Sheffield, S10 1NP, South Yorkshire, Storbritannien**
- (74) Fuldmægtig i Danmark: **NORDIC PATENT SERVICE A/S, Bredgade 30, 1260 København K, Danmark**
- (54) Benævnelse: **FORBEDRINGER AF ELLER I FORBINDELSE MED SPÆNDEANORDNINGER**
- (56) Fremdragne publikationer:  
**WO-A1-2010/012989**  
**CA-A- 941 583**  
**US-A- 4 519 162**  
**US-A1- 2013 118 069**



# DESCRIPTION

**[0001]** This invention relates to clamping devices. This invention also relates to securing assemblies comprising clamping devices.

**[0002]** In vineyards, the vines are supported by wires that extend between posts. The cables are held on the posts in a manner that allows them to be moved up or down depending upon the stage of the growing cycle. However, with present systems, the supports for the wires, and the wires themselves, can become damaged.

**[0003]** CA 941583 A discloses a device for detachably connecting, fixing and tightening connecting elements, particularly electric cables, wire ropes, chains, particularly ornamental chains, belts, drawbars and the like.

**[0004]** According to one aspect of this invention, there is provided a clamping device comprising:

a body and a clamping arrangement in the body for clamping a flexible elongate member, wherein the body has opposite front and rear faces, and opposite ends, the front and rear faces extending between the opposite ends;

wherein the body defines a through passage for the elongate member, the through passage is defined between a channel and an article engaging wall of the body and extends from one end to the other end, and the body includes a guide formation extending towards the through passage, and wherein the clamping arrangement comprises a clamping member held in the channel, the clamping member being movable along the guide formation towards the through passage to clamp the elongate member in the through passage against the article engaging wall, the clamping arrangement further including an urging member to urge the clamping member towards the through passage; and

a first cooperating formation for cooperating with a second cooperating formation, said second cooperating formation being part of a support arrangement to support the clamping device;

wherein the first cooperating formation comprises a pair of opposed side portions and a bridging portion extending between the side portions, each of the side portions being attached to the rear face.

**[0005]** According to another aspect of this invention, there is provided a securing assembly as described above, and a support arrangement for supporting the clamping device, the support arrangement comprising a second cooperating formation, wherein the first cooperating formation can cooperate with the second cooperating formation to support the clamping device, wherein the second cooperating formation comprises a hook portion.

**[0006]** The support arrangement may comprise a plurality of the second cooperating formations arranged one above the other on a support member.

**[0007]** The receiving formation may comprise a substantially U shaped member. The receiving formation may define a receiving aperture for receiving the hook portion.

**[0008]** The body may define a space in communication with the through passage. The guide formation may extend along the space. The guide formation may constitute a wall of the space. The guide formation may be inclined relative to the through passage.

**[0009]** The clamping member may be a cylindrical or spherical member, or a wedge. The urging member may comprise a spring, such as a compression spring.

**[0010]** The through passage may extend along an engaging wall, which may be provided by the body. The clamping member may be urged by the urging means towards the article engaging wall. The clamping member may be configured to clamp the elongate member against the engaging wall.

**[0011]** The flexible elongate member may be a wire, wire rope, cable or the like.

**[0012]** In a first embodiment, support arrangement may comprise a support member and at least one second formation on the support member. The support arrangement may comprise a plurality of the second formations on the support member.

**[0013]** The plurality of second formations may be arranged sequentially in a vertical array on the support member. In the first embodiment, each second formation may be integrally formed with the support member. The support member may comprise a post.

**[0014]** In a second embodiment, the support arrangement may comprise a mounting member and a second cooperating formation on the mounting member. The mounting member may be capable of being fastened to a support member, such as a post.

**[0015]** A support arrangement for use in a securing assembly as described above may be provided, said support arrangement comprising a mounting member and a second cooperating formation on the mounting member to cooperate with a first cooperating formation on a clamping device, the mounting member being capable of being fastened to a support member.

**[0016]** A plurality of the support arrangements may be fastened to the support member, and the plurality of support arrangements may be arranged sequentially in a vertical array on the support member. The support member may comprise a post.

**[0017]** The second cooperating formation may define opposite recesses to hold the first cooperating formation.

**[0018]** In the third embodiment, the support arrangement may comprise the mounting member, and the second cooperating formation may extend upwardly from the mounting member. The second cooperating formation may extend from an outer edge of the mounting member. Desirably, the outer edge of the mounting member is an upper edge.

**[0019]** The securing assembly may further include a protecting device for protecting the elongate member from damage. The securing assembly may comprise a plurality of intermediate support arrangements between the end support arrangements. The securing assembly may comprise a plurality of protecting devices. Each protecting device may secure the elongate member to a respective support arrangement.

**[0020]** The protecting device may comprise a main part and a channel arrangement on the main part to receive the elongate member therethrough. The channel arrangement may comprise a first channel portion to receive a first region of the elongate member, and a second channel portion to receive a second region of the elongate member.

**[0021]** The first and second channel portions may be aligned with each other. The first channel portion may be spaced from the second channel portion to define a gap therebetween.

**[0022]** The first channel portion may have a first elongate opening along a first side of the main part to receive said first region of the elongate member. The second channel portion may have a second elongate opening along a second opposite side of the main part to receive said second region of the elongate member. The first and second openings may face in opposite directions.

**[0023]** Thus, by arranging the protecting device on the elongate member so that the elongate member is received in the aforesaid gap, the protecting device can be rotated so that the first region of the elongate member is received in the first channel portion and the second region of the elongate member is received in the second channel portion.

**[0024]** The protecting device may include a further cooperating formation on the main part to cooperate with a selected one of the second cooperating formations on an intermediate support arrangement between the aforesaid two end support arrangements. In the embodiment described herein, the further cooperating formation is the same as the first cooperating formation.

**[0025]** According to another aspect of this invention there is provided a method of using a securing assembly as described above, said method comprising providing the elongate member and the clamping device, securing the clamping device at one end region of the elongate member, providing the support arrangement having a plurality of second cooperating formations arranged in a vertical array, and supporting the clamping device on a selected one of the second cooperating formations by effecting cooperation between the first and the selected second cooperating formations, and moving the clamping device to another selected second cooperating formation by effecting cooperation between the first and the other selected

second cooperating formations.

**[0026]** The method may comprise providing two clamping devices, securing each clamping device at respective opposite end regions of the elongate member, each clamping device having a respective first cooperating formation. The method may further comprise providing two support arrangements, each having a plurality of the second cooperating formations arranged in a vertical array, and supporting each clamping device on a selected one of the second cooperating formations of the respective support arrangements by effecting cooperation between the respective first and the selected second cooperating formations.

**[0027]** Each clamping device may be moved to a selected further second cooperating formation to support each clamping device on the respective selected further second cooperating formation by effecting cooperation between the first and the selected further second cooperating formations.

**[0028]** The aforesaid support arrangements may constitute end support arrangements.

**[0029]** The method may comprise providing a plurality of protecting devices, mounting the protecting devices at spaced regions of the elongate member, providing a plurality of intermediate support arrangements, each having a plurality of the second cooperating formations arranged in a vertical array.

**[0030]** The method may include supporting each protecting device on a selected one of the second cooperating formations of the respective intermediate support arrangements by effecting cooperation between the respective first and the selected second cooperating formations.

**[0031]** The method may further include moving each protecting device to a selected further second cooperating formation to support each protecting device on the respective selected further second cooperating formation by effecting cooperation between the first and the selected further second cooperating formations.

**[0032]** An embodiment of the invention will now be described with reference to the accompanying drawings, in which:

Figure 1 is a schematic view of a part of a securing assembly showing a clamping device and a first embodiment of a support arrangement;

Figure 2 shows a second embodiment of a support arrangement;

Figure 3 is a rear perspective view of the clamping device shown in Figure 1;

Figure 4 is a schematic view of a support arrangement and a clamping device;

Figure 5 is a schematic diagram of a securing assembly;

Figure 6 shows an intermediate support arrangement, being part of the securing assembly;

Figure 7 is a perspective view of a protecting device;

Figure 8 is a sectional view of a clamping device;

Figures 9, 10 and 11 are schematic drawings showing the mounting of the protecting device on the elongate member and attaching the protecting device to the support arrangement.

Figure 12 shows a third embodiment of a support arrangement and the clamping device;

Figure 13 shows the clamping device on the third embodiment of the support arrangement; and

Figure 14 is a perspective view of the clamping device on the third embodiment of the support arrangement.

**[0033]** Figure 1 shows a part of a securing assembly 100, which comprises a clamping device 10, and an elongate member 12 in the form of a cable, wire, wire rope or the like, which can be clamped by the clamping device 10. The clamping device 10 includes a first cooperating formation 36 (see Figure 3), which is described in more detail below.

**[0034]** The securing assembly 100 further includes a support arrangement 14 comprising an upright support member 16 in the form of a post and a second cooperating formation in the form of a hook portion 18. The first and second cooperating formations cooperate with each other so that the clamping device 10 can be supported on the support arrangement 14.

**[0035]** A plurality of the hook portions 18 are provided on the support member 16. The hook portions 18 are arranged one above the other lengthwise of the support member 16, so that, in use, the hook portions 18 are in a substantially vertical array. The support member 16 is formed of a suitable metal, such as steel or aluminium, and the hook portions 18 are integrally formed with the support member 16 by being pressed or punched from the material forming the support member 16.

**[0036]** Figure 2 shows an alternative support arrangement 20 for use with a support member 22 in which hook portions are difficult to form integrally. Such a support member 22 may be in the form of a wooden post.

**[0037]** The alternative support arrangement 20 comprises a substantially flat mounting member 24 fastened to the support member 22 by suitable fasteners, such as screws 26. The alternative support arrangement 20 further includes a hook portion 28, also in the form of a hook portion. The hook portion 28 is formed integrally with the mounting member 24 by punching or pressing. A plurality of the alternative support arrangements 20 can be fastened to the support member 22 one above the other lengthwise of the support member 22, so that, in

use, the hook portions 28 are in a substantially vertical array.

**[0038]** The purpose of the hook portions 18, 28 is described below.

**[0039]** A rear view of the clamping device 10 is shown in Figure 3. The clamping device 10 comprises a body 30 inside of which is a clamping arrangement 50 (see Figure 8) for clamping the elongate member 12.

**[0040]** The body 30 has a front face 32, shown in Figure 1, and a rear face 34, shown in Figure 3. The rear face 34 is provided with the first cooperating formation 36 in the form of a receiving formation. The first cooperating formation 36 comprises a substantially U shaped member 38, defining a hook portion receiving aperture 40 for receiving the hook portion 18 or 28.

**[0041]** The U shaped member 38 has a pair of opposed side portions 38A and a bridging portion 38B extending between the side portions 38A.

**[0042]** When the elongate member 12 is clamped to by the clamping device 10, the clamping device 10 can be supported on the support member 14 by arranging the clamping device 10 so that a selected one of the hook portions 18 on the support member 14 is received in the hook portion receiving aperture 40, as indicated by the arrow A in Figure 1, and shown in Figure 4.. Where the support arrangements 20 are used, the clamping device 10 is supported on the support member 22 by arranging the clamping device 10 so that the hook portion 28 is received in the hook portion receiving aperture 40.

**[0043]** Referring to Figure 8, there is shown a sectional side view of the clamping device 10, showing the clamping arrangement 50. The clamping arrangement 50 comprises a space in the form of a channel 52 defined in the body 30 in which a clamping member 54 is held. The body 30 also defines a through passage 55 for the elongate member 12.

**[0044]** The channel 52 has a blind end 56. An abutment 58 is arranged across the blind end region 56.

**[0045]** The clamping arrangement 50 further includes an urging member in the form of a coiled compression spring 60. The clamping member 54 is urged by the compression spring 60 in the direction indicated by the arrow A towards the through passage 55. The compression spring 60 extends between the abutment 58 and the clamping member 54, the abutment 58 providing a reaction force against the compression spring, to enable the compression spring 60 to urge the clamping member 54 in the direction of the arrow A.

**[0046]** In the embodiment shown herein, the clamping member 54 is in the form of a cylinder, but it will be appreciated that the clamping member 54 could be any other suitable shape, for example a sphere or a wedge.

**[0047]** The through passage 55 is defined between the channel 52 and an article engaging wall 62 of the body 30. The channel 52 is defined between an inclined guide member, in the form of an inclined guide wall 64, and the through passage 55. The inclined guide wall 64 is inclined to the through passage 55 at an angle of between 10° and 30°. Thus, the clamping member 54 is urged towards the elongate member 12 at an acute angle thereto.

**[0048]** The through passage 55 is provided to receive therethrough the elongate member 12, as shown in Figure 8. When the elongate member 12 is received therein, and before the clamping member 54 has been tightened against the elongate member 12, as explained below, the elongate member 12 can be moved through the through passage in the direction indicated by the arrow B.

**[0049]** When it is desired to clamp the elongate member 12 to the clamping device 10, the elongate member 12 is threaded through the passage 55 in the opposite direction to the direction indicated by the arrow B. The compression spring 60 holds the clamping member 54 in engagement with the elongate member 12. Movement of the elongate member 12 in said opposite direction thereby causes the clamping member 54 to move along the inclined guide wall 64 in the direction indicated by the arrow A.

**[0050]** Thus, the clamping member 54 is urged against the elongate member 12, by a combination of the action of the spring 60 and the inclination of the guide wall 64. As a result, the elongate member 12 is clamped tightly by the clamping member 54 which pushes the elongate member 12 against the article engaging wall 62.

**[0051]** An end region 12A of the elongate member 12 extends from the passage 55. In order for the end region 12A to be held securely out of the way, a holding passage 66 is defined through the body 30, to receive some of the end region 12A.

**[0052]** Figure 5 is a schematic drawing of the securing assembly 100, which comprises a plurality of the upright support members 16. If desired, the securing assembly could comprise a plurality of the support members 28, or a combination of the support members 16 and 28.

**[0053]** The plurality of support members 16 comprise a pair of end support members 16A and a plurality of intermediate support members 16B arranged adjacent one another between the end support members 16A. In the embodiment shown in Figure 5, the securing assembly 100 comprises four intermediate support members 16B, although any other suitable number can be used. The support members 16B are substantially the same as the support members 16A.

**[0054]** One of the support members 16A is shown in Figure 6, and comprises a plurality of the hook portions 18. The elongate members 12 (only one of which is shown in Figure 6 extend through the hook portions 18. In order to prevent elongate member 12 from rubbing against the hook portion 18 and becoming damaged, a protecting device 68 is provided. The protecting device 68 is shown in Figure 7

**[0055]** The protecting device 68 comprises a central main part 70 and a channel arrangement 72 on the main part 70 to receive the elongate member 12 therethrough. The channel arrangement 72 comprises a first channel portion 74 defining a first channel 74A to receive a first region of the elongate member 12, and a second channel portion 76 defining a second channel 75A to receive a second region of the elongate member 12.

**[0056]** The first and second channels 74A, 76A are aligned with each other so that when the first and second regions of the elongate member 12 are received therein, the elongate member extends through the channel arrangement in a substantially straight line. The first channel portion 74 is spaced from the second channel portion 76 to define a gap 78 therebetween.

**[0057]** The first channel portion 74 has a first elongate opening 80 along a first side of the main part 70 to receive said first region of the elongate member 12. The first elongate opening extends wholly the length of the first channel portion 74.

**[0058]** The second channel portion 76 has a second elongate opening 82 along a second opposite side of the main part to receive said second region of the elongate member. The second elongate opening 82 extends wholly the length of the second channel portion 76. The first and second openings 80, 82 face in opposite directions.

**[0059]** The protecting device 68 further includes a further first cooperating formation 36 on the main part 70 to cooperate with a selected one of the hook portions 18 on one of the intermediate support arrangements 16B. The further first cooperating formation 36 is the same as one of the first cooperating formation 36 described above. The further first cooperating formation 36 on the main part 70 defines an aperture 40 to receive the hook portion 18.

**[0060]** Referring to Figures 9, 10 and 11, the protecting device 68 is mounted on the elongate member 12 by first arranging the protecting device so that the channel arrangement 72 is disposed transverse to the elongate member 12, and the elongate member 12 is received in the gap 78, as shown in Figure 9.

**[0061]** The protecting device is then rotated about the gap 78, as shown by the arrow X, so that a first region of the elongate member 12 is received in the first channel portion 74, and a second region of the elongate member 12 is received in the second channel portion 76, as shown in Figure 10.

**[0062]** When the protecting device is arranged on the elongate member as shown in Figure 10, the further first cooperating formation 36 extends away from the hook portion. In order to attach the protecting device 68 to the hook portion 18 and, thereby, secure the elongate member 12 to the hook portion 18, the protecting device 68 can be rotated about the elongate member 12, as shown by the arrow Y. The hook portion 18 can then be received in the aperture 40, as shown in Figure 11.

**[0063]** The securing assembly 100 comprises three of the elongate members 12, each of which is secured to the end support members 16A by the clamping devices 10 as described above.

**[0064]** In order to secure the elongate members 12 to the support members 16B, a plurality of the protecting devices 68 are mounted on the elongate members 12. Each protecting device 68 can then secure the elongate members 12 to a respective hook portion 18.

**[0065]** The securing arrangement 100 is used to support plants, such as vines, while they are growing. The vines are attached to the elongate members 12 in a known manner. The elongate members are secured to the support members 16 as described above.

**[0066]** As the vine grows, the elongate member 12 to which the vine is attached can be lifted from a lower array of hook portions 18 to a higher array. This can be easily achieved by removing the clamping devices 10 and the protecting devices 68 from the hook portions to which they are secured and moving the clamping devices 10 and the protecting devices 68 to higher hook portions 18.

**[0067]** There is thus described a securing assembly 100 which is used to assist in the growing of plants such as vines. The securing assembly 100 described above has the advantage that the use of the clamping devices 10 is more secure and more easy to move from hook portion 18 to hook portion 18 than prior art assemblies.

**[0068]** Also, the present invention avoids the need to use nails or screws in the posts to support the elongate members. In addition the provision of the protecting device 68 provides the advantage that there is a reduction in wear on the elongate member, because it does not rub against the hook portions, thereby reducing the risk of the elongate member breaking.

**[0069]** A further advantage is that the clamping devices 10 and the protecting devices 68 can be fitted to the elongate members after they have been installed, and the plants attached thereto.

**[0070]** Various modifications can be made without departing from the scope of the invention. An example of a modification is shown in Figures 12 to 14, in which a further alternative support arrangement 120 is provided.

**[0071]** The further alternative support arrangement 120 comprises a mounting member 124 fastened to the support member 22 (not shown in Figures 12 to 14) by suitable fasteners, such as screws (not shown in Figures 12 to 14) inserted through apertures 126 defined in the mounting member 124.

**[0072]** The support arrangement 120 further includes a hook portion 128 which projects upwardly from the mounting member 124. Figures 12 and 13 are rear views of the support arrangement 120, showing the rear face 130 of the mounting member 124. In use, the rear

face 130 engages the support member 22.

**[0073]** The hook portion 128 is offset forwards from the mounting member 124, so that a gap is defined between the hook portion 128 and the support member 22 when the support arrangement 120 is fastened to the support member 22.

**[0074]** The hook portion 128 defines a pair of opposite recesses 132 into either of which one of the side portions 38A can be received when tension is applied to the elongate member 12 (also not shown in Figures 12 to 14).

**[0075]** In use, one of the elongate members 12 is clamped by the clamping device 10 to secure the elongate member 12 thereto. The clamping device 10 is supported on the support arrangement 120 by arranging the hook portion 128 so that it is received in the aperture 40.

**[0076]** The elongate member 12 can then be pulled tight which has the effect of pulling the clamping device so that one of the side portions 38A is received in one of the recesses 132, thereby securing the clamping device 10 on the support arrangement 120.

## **REFERENCES CITED IN THE DESCRIPTION**

This list of references cited by the applicant is for the reader's convenience only. It does not form part of the European patent document. Even though great care has been taken in compiling the references, errors or omissions cannot be excluded and the EPO disclaims all liability in this regard.

### **Patent documents cited in the description**

- CA941583A [0003]

**PATENTKRAV****1. Spændeanordning (10) omfattende:**

et legeme (30) og et spændearrangement (50) i legemet (30) til fastspænding af et fleksibelt aflangt element (12), hvor legemet (30) har en frontflade (32) modsat en bagflade (34), og modstående ender, hvor frontfladen (32) og bagfladen (34) strækker sig mellem de modstående ender;

hvor legemet (30) definerer en gennemgående passage (55) til det aflange element (12), den gennemgående passage (55) er defineret mellem en kanal (52) og en

genstandsindgrebsvæg (62) af legemet og strækker sig fra én ende til den anden ende, og legemet (30) indbefatter en føringsformation (64), der strækker sig mod den gennemgående passage (55), og hvor spændearrangementet (50) omfatter et

spændeelement (54) fastholdt i kanalen (52), hvor spændeelementet (54) kan bevæges langs føringsformationen (64) mod den gennemgående passage (55) for at fastspænde det aflange element (12) i den gennemgående passage (55) mod

genstandsindgrebsvæggen (62), hvor spændearrangementet (50) endvidere indbefatter et tvingende element (60) til at tvinge spændeelementet (54) mod den gennemgående passage (55); og

en første samvirkende formation (36) til at samvirke med en anden samvirkende formation (18), hvor den anden samvirkende formation (18) er en del af et støttearrangement (14) til at understøtte spændeanordningen (10), hvor;

den første samvirkende formation (36) omfatter et par modstående sidedele (38A) og en forbindende del (38B), der strækker sig mellem sidedelene (38A), **kendetegnet ved, at hver af sidedelene (38A) er fastgjort til bagfladen (34).**

**2. Spændeanordning (10) ifølge krav 1, hvor den første samvirkende formation (36) omfatter et i alt væsentligt U-formet element (38), der definerer en åbning (40) til modtagelse af den anden samvirkende formation (18).**

**3. Spændeanordning (10) ifølge krav 1 eller 2, hvor legemet (30) definerer et rum (52) i forbindelse med den gennemgående passage (55), og føringsformationen (64) udgør en væg af rummet (52), der strækker sig langs rummet (52), hvor føringsformationen (64) hælder i forhold til den gennemgående passage (55), og hvor legemet (30) omfatter en indgrebsvæg (62), og den gennemgående passage (55) strækker sig langs indgrebsvæggen (62), hvor spændeelementet (54) tvinges af det tvingende element (60) mod indgrebsvæggen (62) for at**

spænde det aflange element (12) mod indgrebsvæggen (62).

4. Fastgørelsesenhed (100), der omfatter en spændeordination (10) ifølge krav 1 og et støttearrangement (14) til at understøtte spændeordinationen (10), hvor støttearrangementet (14) omfatter en anden samvirkende formation (18), hvor den første samvirkende formation (36) kan samvirke med den anden samvirkende formation (18) for at understøtte spændeordinationen (10), hvor den anden samvirkende formation (18) omfatter en krogdel.
5. Fastgørelsesenhed (100) ifølge krav 4, hvor den modtagende formation omfatter et i alt væsentligt U-formet element (38), der definerer en åbning (40) til modtagelse af den anden samvirkende formation (18).
6. Fastgørelsesenhed (100) ifølge et hvilket som helst af krav 4 eller 5, hvor legemet (30) definerer en gennemgående passage (55) til det aflange element (12), og legemet (30) indbefatter en føringsformation (64), der strækker sig mod den gennemgående passage (55), og hvor spændearrangementet (50) omfatter et spændeelement (54), der kan bevæges langs føringsformationen (64) mod den gennemgående passage (55) for at fastspænde det aflange element (12) i den gennemgående passage (55), hvor spændearrangementet (50) endvidere indbefatter et tvingende element (60) til at tvinge spændeelementet (54) mod den gennemgående passage (55).
7. Fastgørelsesenhed (100) ifølge krav 6, hvor legemet (30) definerer et rum (52) i forbindelse med den gennemgående passage (55), og føringsformationen (64) udgør en væg af rummet (52), der strækker sig langs rummet (52), hvor føringsformationen (64) hælder i forhold til den gennemgående passage (55), og hvor legemet (30) omfatter en indgrebsvæg (62), og den gennemgående passage (55) strækker sig langs en indgrebsvæg (62), hvor spændeelementet (54) tvinges af det tvingende element (60) mod indgrebsvæggen (62) for at spænde det aflange element (12) mod indgrebsvæggen (62).
8. Fastgørelsesenhed (100) ifølge et hvilket som helst af krav 4 til 7, hvor støttearrangementet (14) omfatter et monteringselement (24 eller 124), hvor den anden samvirkende formation (18) er tilvejebragt på monteringselementet (24, 124), og monteringselementet (24, 124) kan fastgøres til et støtteelement (22).

**9.** Fastgørelsesenhed (100) ifølge krav 8, hvor den anden samvirkende formation (18) strækker sig opefter fra monteringselementet (24, 124), for eksempel fra en øvre kant af monteringselementet (24, 124).

5 **10.** Fastgørelsesenhed (100) ifølge et hvilket som helst af krav 4 til 9, hvor krogdelen definerer modstående indskæringer (132) til at fastholde den første samvirkende formation (36).

**11.** Fastgørelsesenhed (100) ifølge et hvilket som helst af krav 4 til 10, der endvidere indbefatter en beskyttelsesanordning (68) til beskyttelse af det aflange element (12) mod  
10 beskadigelse, hvilken beskyttelsesanordning (68) omfatter en hoveddel (70) og et kanalarrangement (72) på hoveddelen (70) til at modtage det aflange element (12) derigennem, hvor kanalarrangementet (72) omfatter en første kanaldel (74) til at modtage et første område af det aflange element (12), og en anden kanaldel (76) til at modtage et andet område af det  
15 aflange element (12), og hvor de første og anden kanaldele (74, 76) fortrinsvis flugter med hinanden, hvor den første kanaldel (74) fortrinsvis er adskilt fra den anden kanaldel (76) for at definere en åbning (78) derimellem.

**12.** Fastgørelsesenhed (100) ifølge krav 11, hvor den første kanaldel (74) har en første aflang åbning (80) langs en første side af hoveddelen (70) til at modtage det første område af det  
20 aflange element (12), og den anden kanaldel (76) har en anden aflang åbning (82) langs en modsat side af hoveddelen (70) til at modtage det andet område af det aflange element (12), hvor den første og den anden åbning ((80, 82) vender i modsatte retninger.

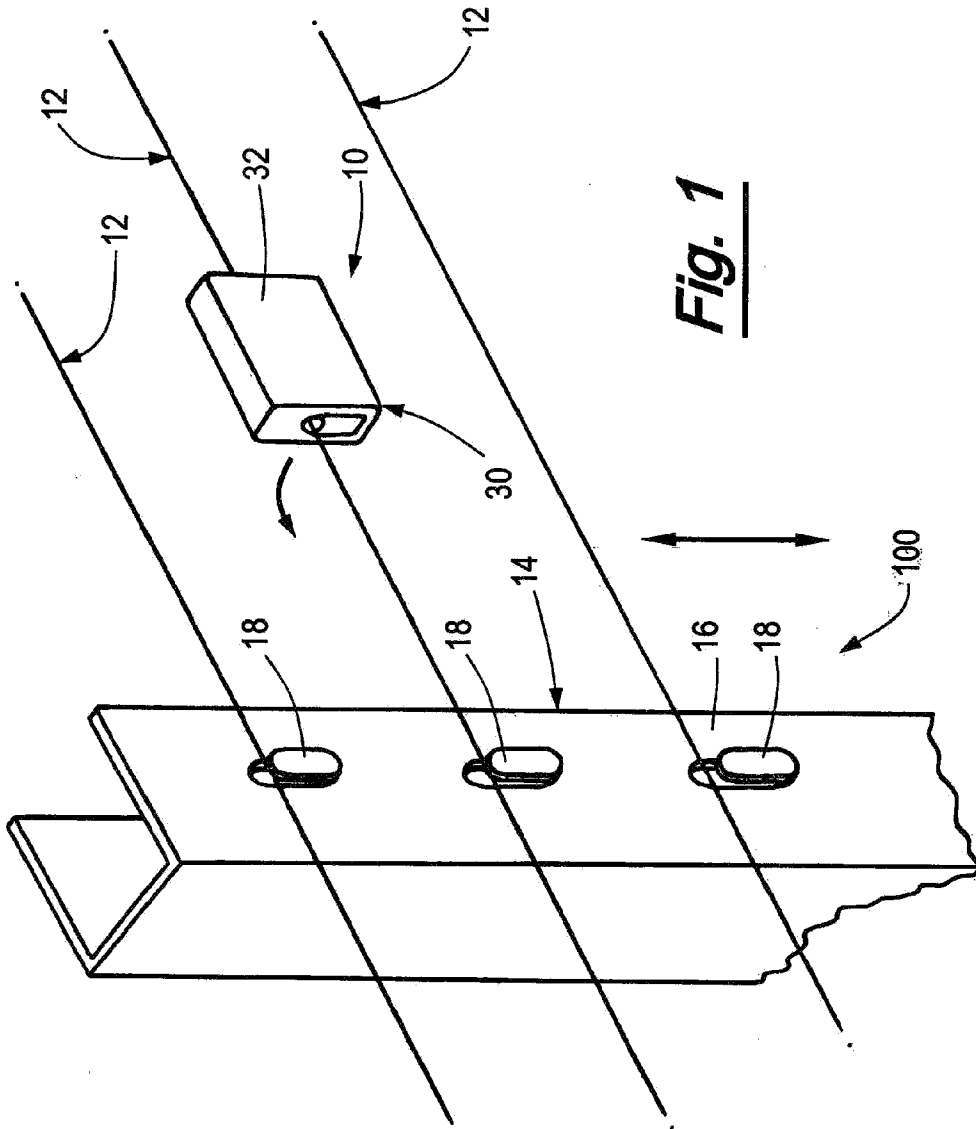
**13.** Fastgørelsesenhed (100) ifølge et hvilket som helst af krav 11 eller 12, der omfatter to af  
25 ovennævnte støttearrangementer (14), hvor hvert af støttearrangementerne (14) udgør endestøttearrangementer (16A), hvor beskyttelsesanordningen (68) indbefatter en yderligere første samvirkende formation (36) på hoveddelen (70) til at samvirke med en udvalgt én af anden samvirkende formationer (18) på en mellemliggende støttearrangement (16B) mellem ovennævnte to endestøttearrangementer (16A).

30 **14.** Fastgørelsesenhed (100) ifølge krav 14, hvor fastgørelsesenheden (100) omfatter en flerhed af mellemliggende støttearrangementer (16B) mellem ovennævnte endestøttearrangementer (16A), og fastgørelsesenheden (100) endvidere indbefatter en flerhed af beskyttelsesanordningerne (68), hvor hver beskyttelsesanordning (68) fastgør det aflange

element (12) til et tilsvarende mellemliggende støttearrangement (16B).

**15.** Fremgangsmåde til anvendelse af en fastgørelsesenhed (100) ifølge krav 4, hvilken fremgangsmåde omfatter tilvejebringelse af det aflange element (12) og spændeanordningen (10), fastgørelse af spændeanordningen (10) ved et endemråde af det aflange element (12),  
5 tilvejebringelse af støttearrangementet (14) med en flerhed af anden samvirkende formationer (18) anbragt i en vertikal opstilling, og understøttelse af spændeanordningen (10) på en udvalgt én af de anden samvirkende formationer (18) ved at bevirke samvirke mellem den første og den udvalgte anden samvirkende formationer (18), og bevægelse af spændeanordningen (10) til  
10 en anden udvalgt anden samvirkende formation (18) ved at bevirke samvirke mellem den første og den anden udvalgte anden samvirkende formation (18).

DRAWINGS



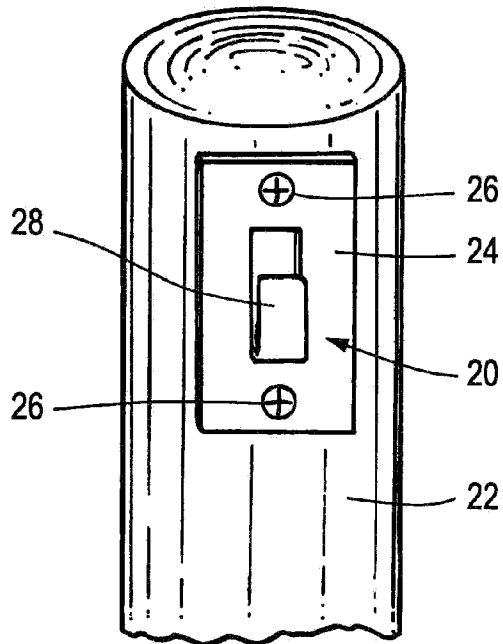


Fig. 2

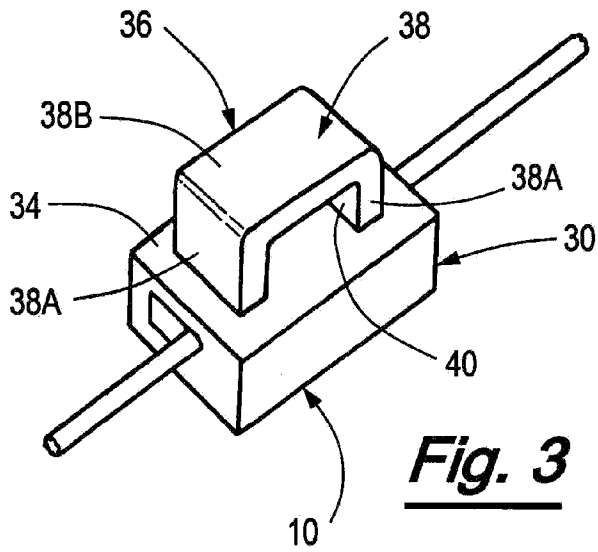


Fig. 3

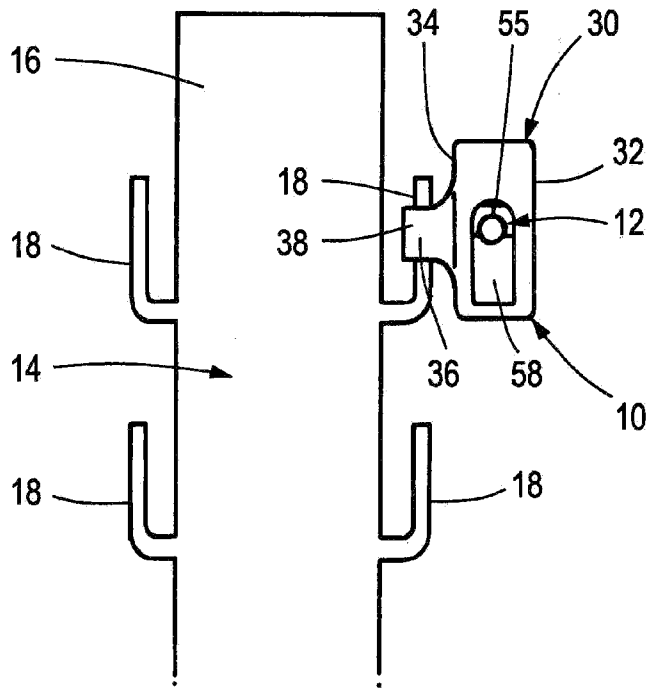
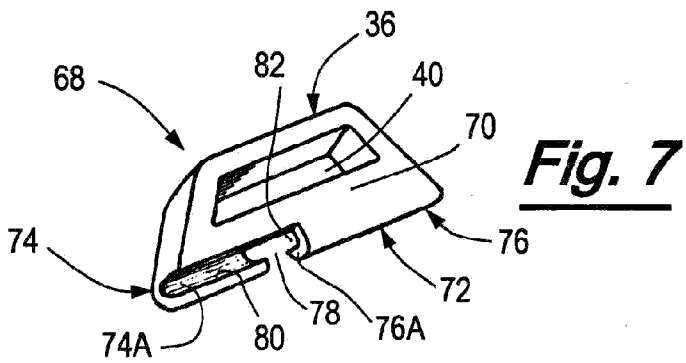
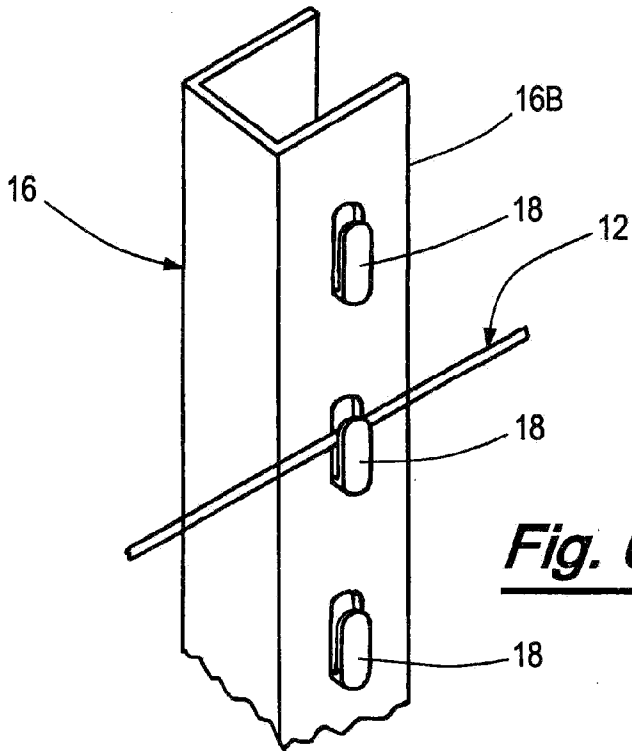
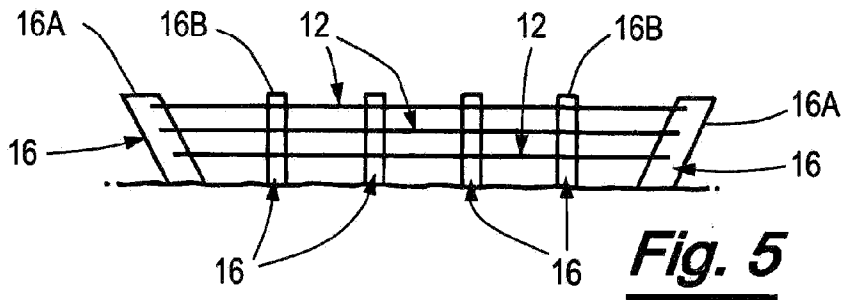
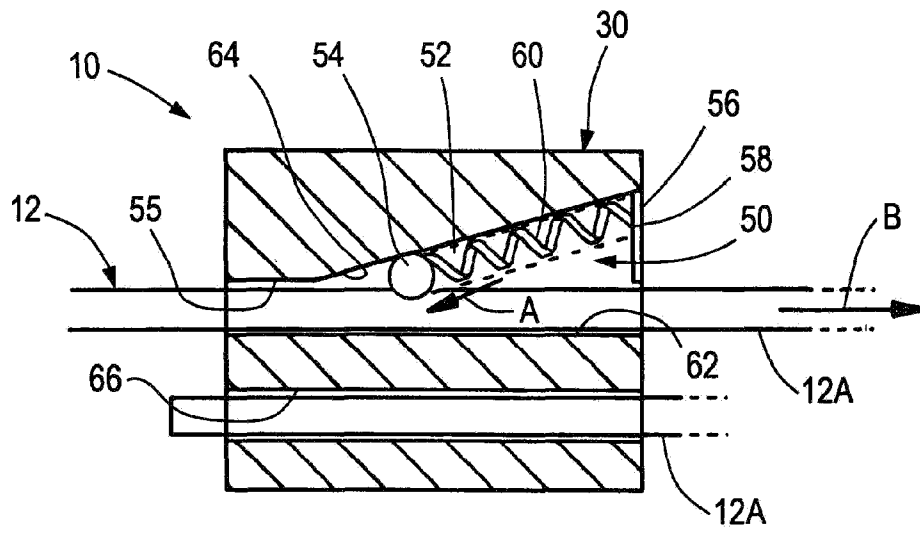
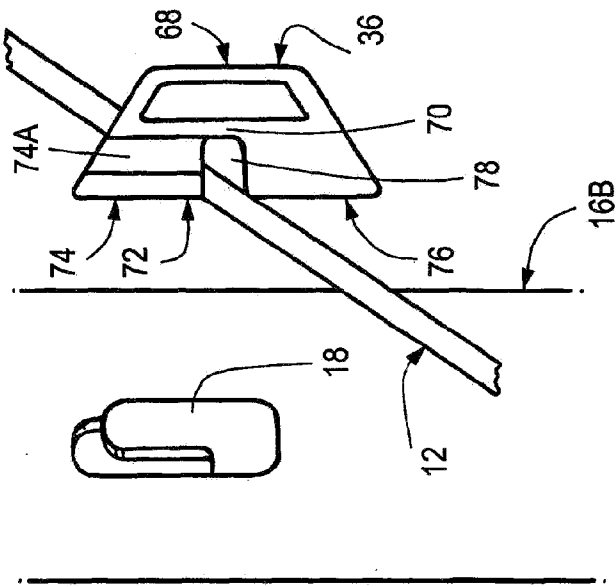


Fig. 4

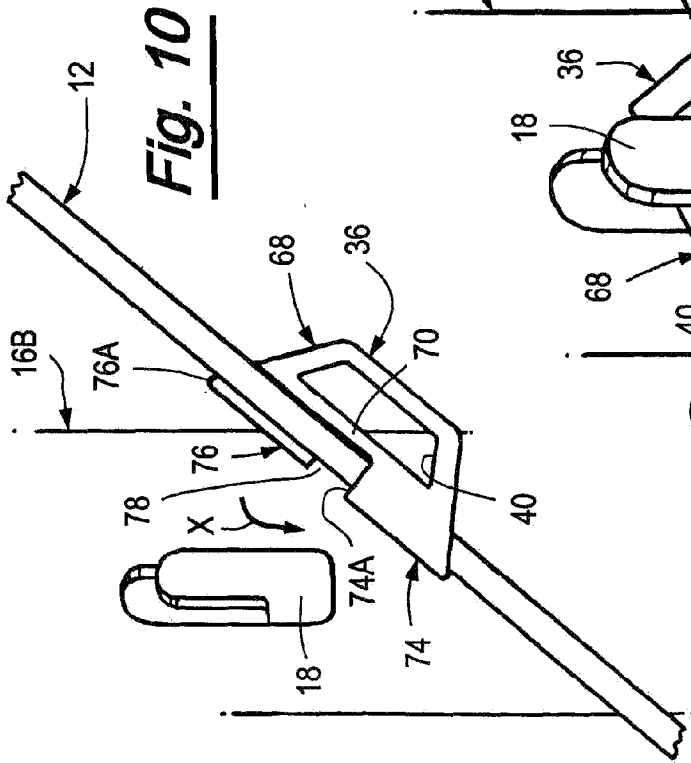




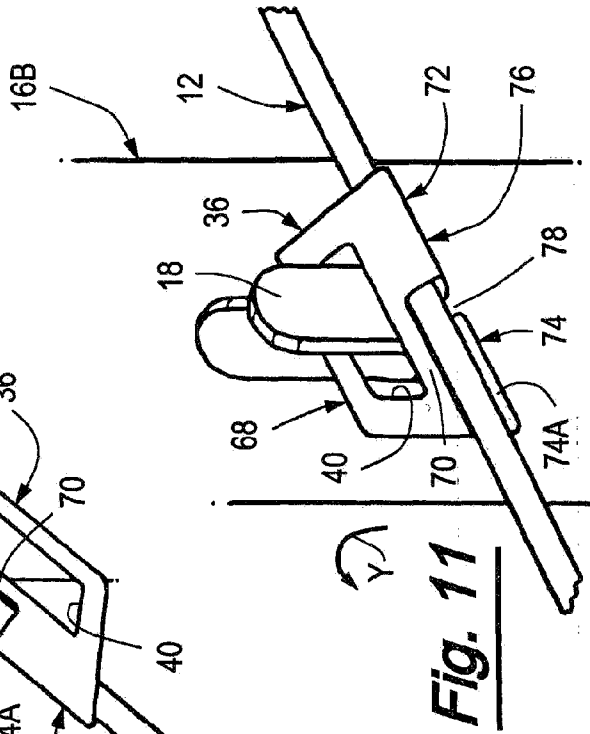
**Fig. 8**



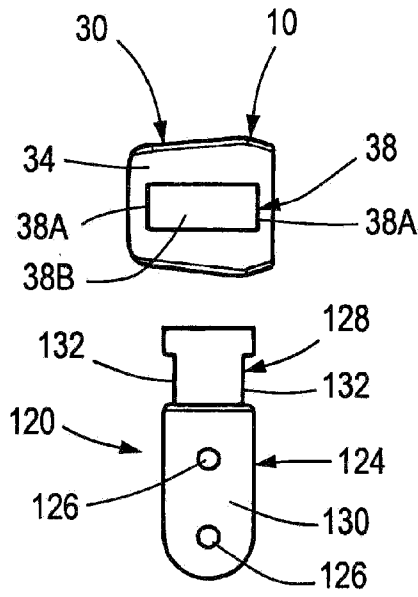
**Fig. 9**



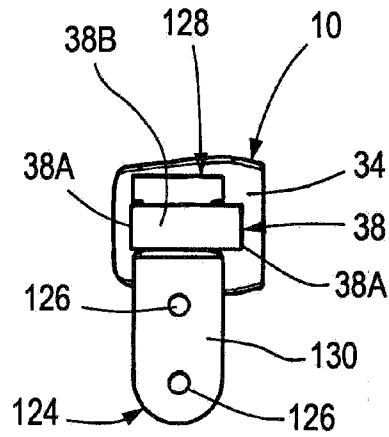
**Fig. 10**



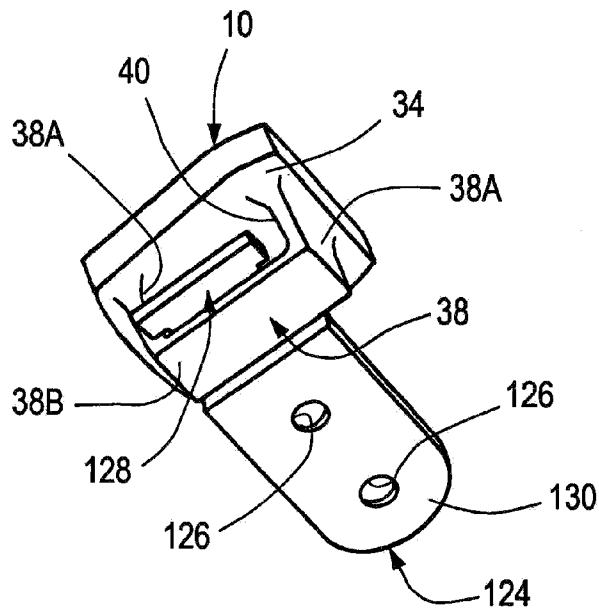
**Fig. 11**



**Fig. 12**



**Fig. 13**



**Fig. 14**