



US00D970274S

(12) **United States Design Patent**  
**Hu**

(10) **Patent No.:** **US D970,274 S**

(45) **Date of Patent:** **\*\* Nov. 22, 2022**

(54) **SHELF**

(71) Applicant: **Yajun Hu**, El Dorado Hills, CA (US)

(72) Inventor: **Yajun Hu**, El Dorado Hills, CA (US)

(73) Assignees: **Yajun Hu**, Moreau, CT (US);  
**EUREKA LLC**, EL Dorado Hills, CA (US)

(\*\*) Term: **15 Years**

(21) Appl. No.: **29/745,742**

(22) Filed: **Aug. 7, 2020**

(51) **LOC (13) Cl.** ..... **06-06**

(52) **U.S. Cl.**  
USPC ..... **D6/705**

(58) **Field of Classification Search**  
USPC ..... D6/329, 643, 643.1, 644, 654, 702, 705,  
D6/705.1, 706  
CPC ..... A47B 2200/12  
See application file for complete search history.

(56) **References Cited**

**U.S. PATENT DOCUMENTS**

D245,783 S	9/1977	Finei	
D301,590 S	6/1989	Foran et al.	
5,271,551 A	12/1993	Roepke	
D354,516 S	1/1995	Crist et al.	
D383,283 S	9/1997	Hankins, III	
D424,117 S	5/2000	Steinbeck et al.	
D433,711 S	11/2000	Andujar	
D472,735 S	4/2003	Haugen	
D476,840 S *	7/2003	Hoernig	D6/574
D523,245 S	6/2006	Post	
D551,425 S	9/2007	Norvell	
D579,660 S	11/2008	Snider	

D694,557 S *	12/2013	Rodgers	D6/675
D817,676 S *	5/2018	Herring	D6/705
D848,759 S *	5/2019	Kim	D6/553
D881,617 S *	4/2020	Schwarzmann	D6/705
D884,400 S *	5/2020	Chen	D6/705
D947,578 S *	4/2022	Hu	D6/654.21

**OTHER PUBLICATIONS**

WALI Monitor Stand Riser—Amazon <https://www.amazon.com/Computer-Notebook-Underneath-STT001-WALI/dp/B07KWF4SVN/> retrieved from the internet on Sep. 27, 2022.\*  
StarTech.com Monitor Riser Stand—Amazon <https://www.amazon.com/StarTech-com-Monitor-Riser-Stand-Clamp/dp/B0829QQD7W> retrieved from the internet on Sep. 27, 2022.\*

\* cited by examiner

*Primary Examiner* — Mary Ann Calabrese

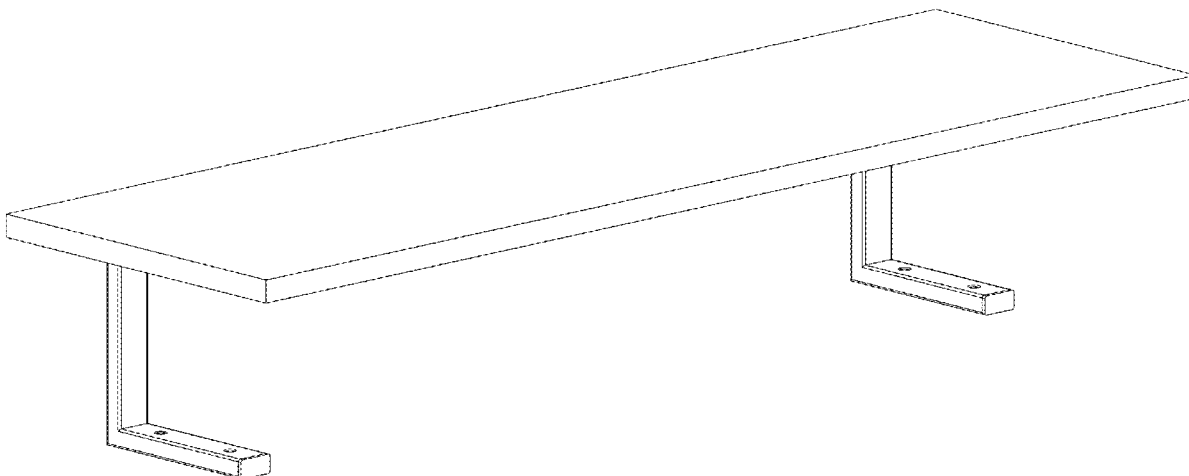
(57) **CLAIM**

I claim the ornamental design for a shelf, as shown and described.

**DESCRIPTION**

FIG. 1 is a front perspective view of a shelf of Embodiment One, showing my new design;  
FIG. 2 is a bottom perspective view thereof;  
FIG. 3 is a front view thereof;  
FIG. 4 is a bottom view thereof;  
FIG. 5 is a top view thereof;  
FIG. 6 is a rear side view thereof;  
FIG. 7 is a left side view thereof;  
FIG. 8 is a front perspective view of a shelf of Embodiment Two;  
FIG. 9 is a bottom perspective view thereof;  
FIG. 10 is a bottom view thereof; and,  
FIG. 11 is a top view thereof.

**1 Claim, 11 Drawing Sheets**



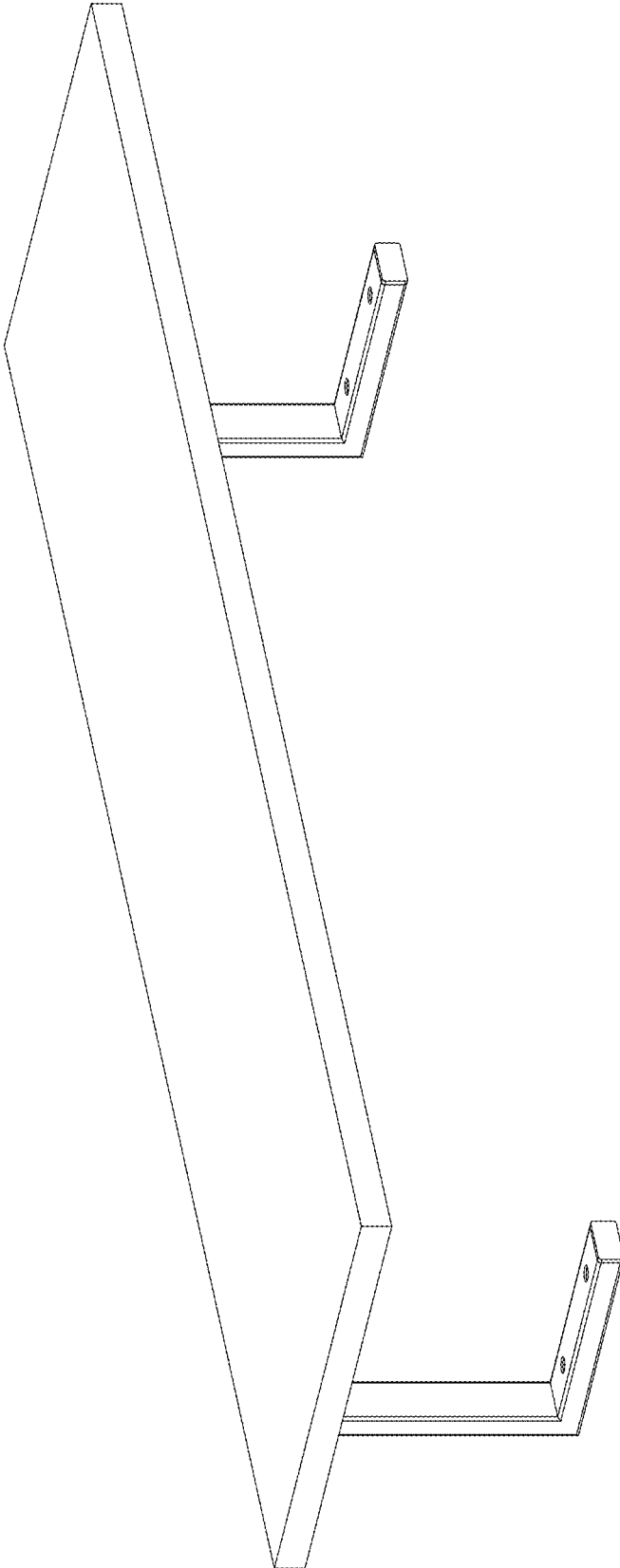


FIG.1

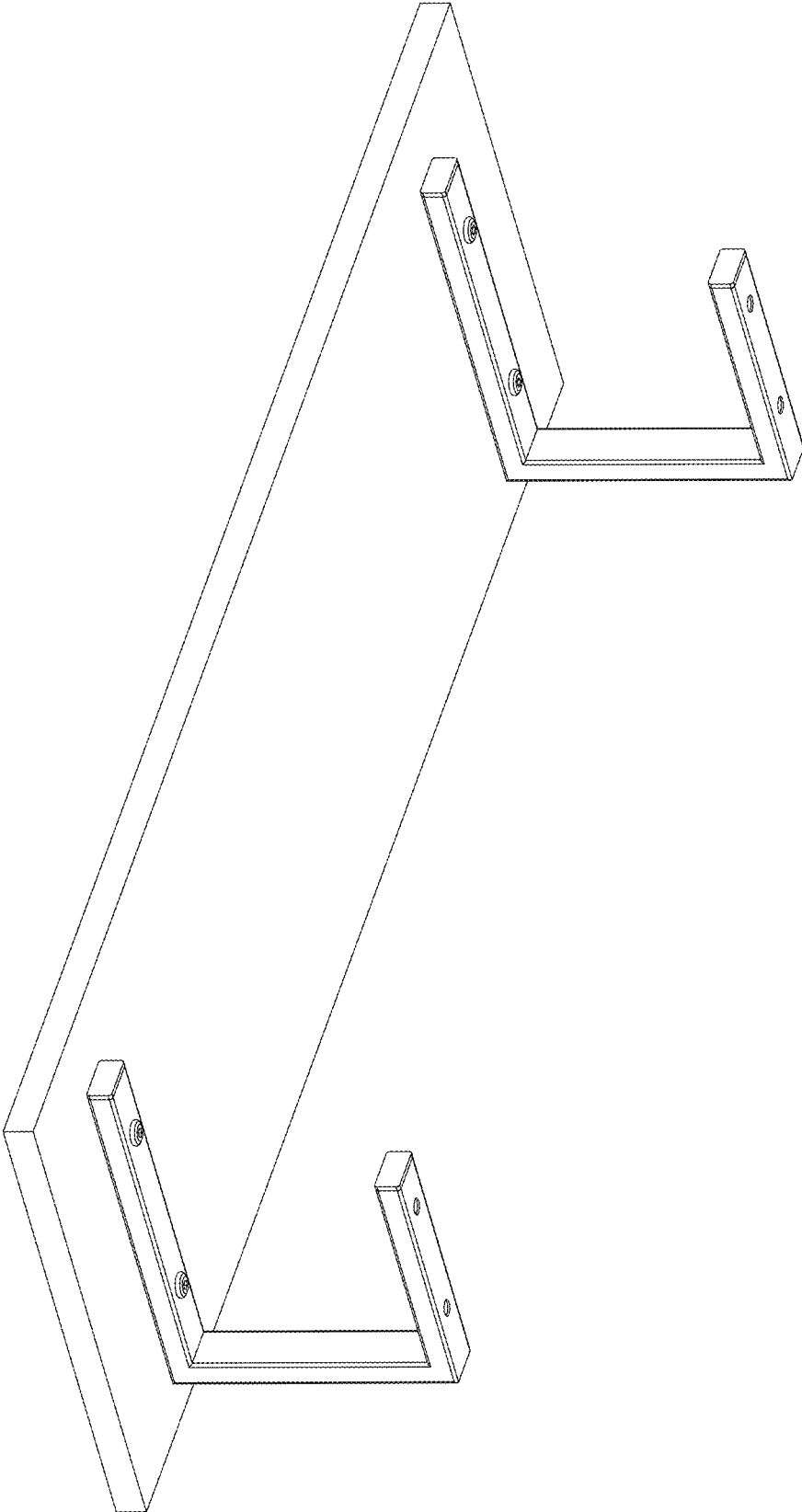


FIG.2

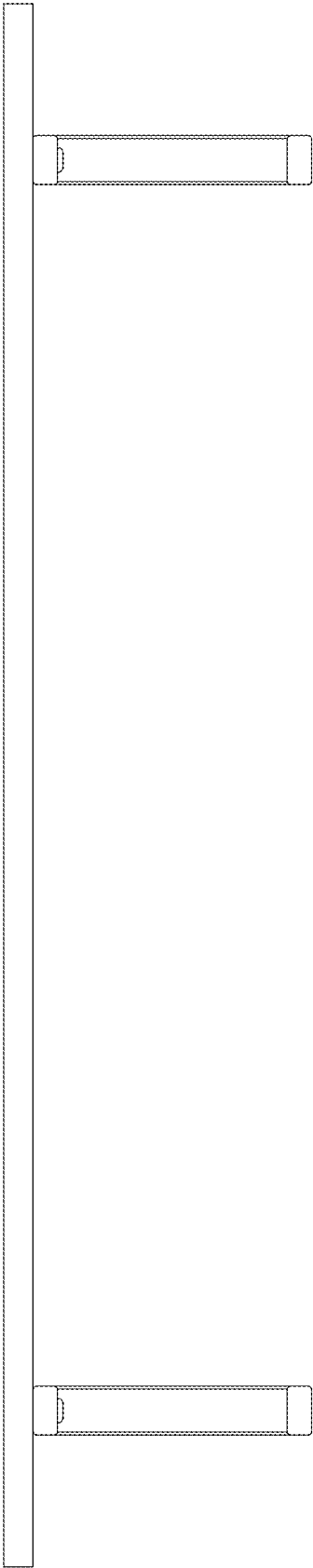


FIG.3

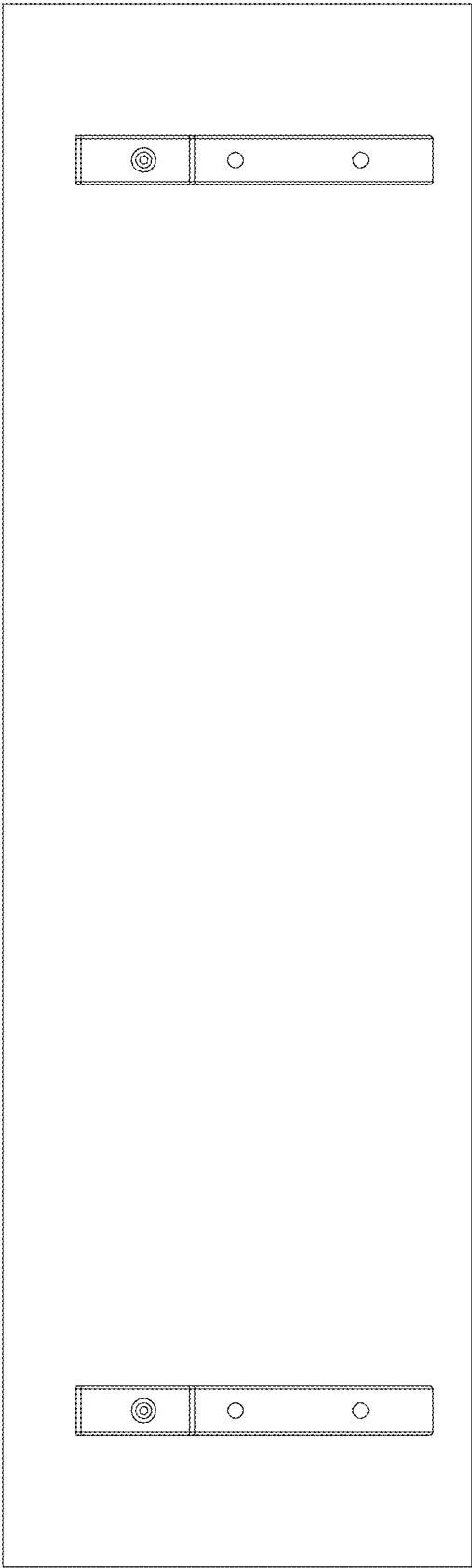


FIG.4

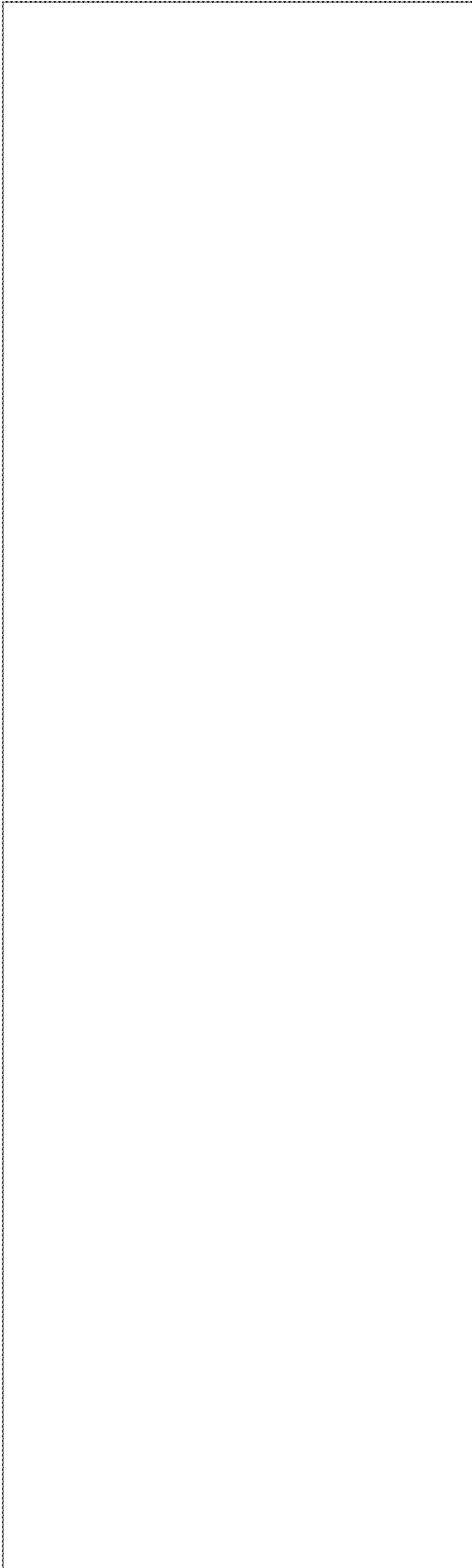


FIG.5

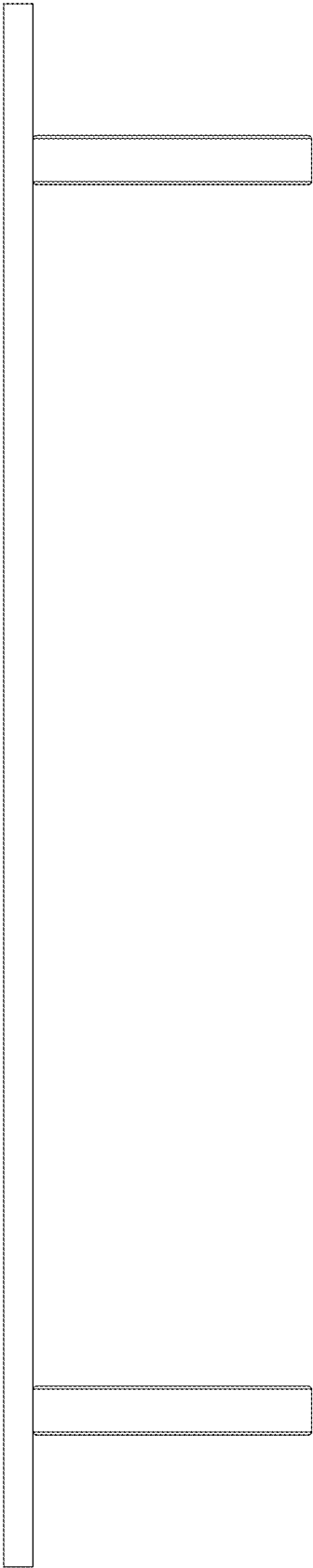


FIG.6

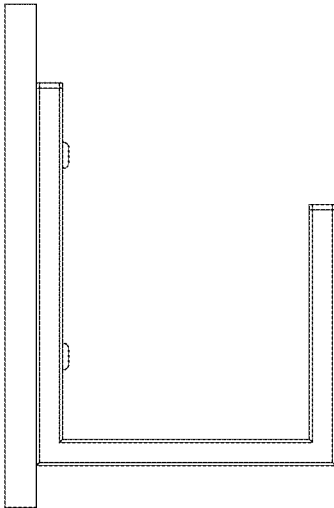


FIG.7

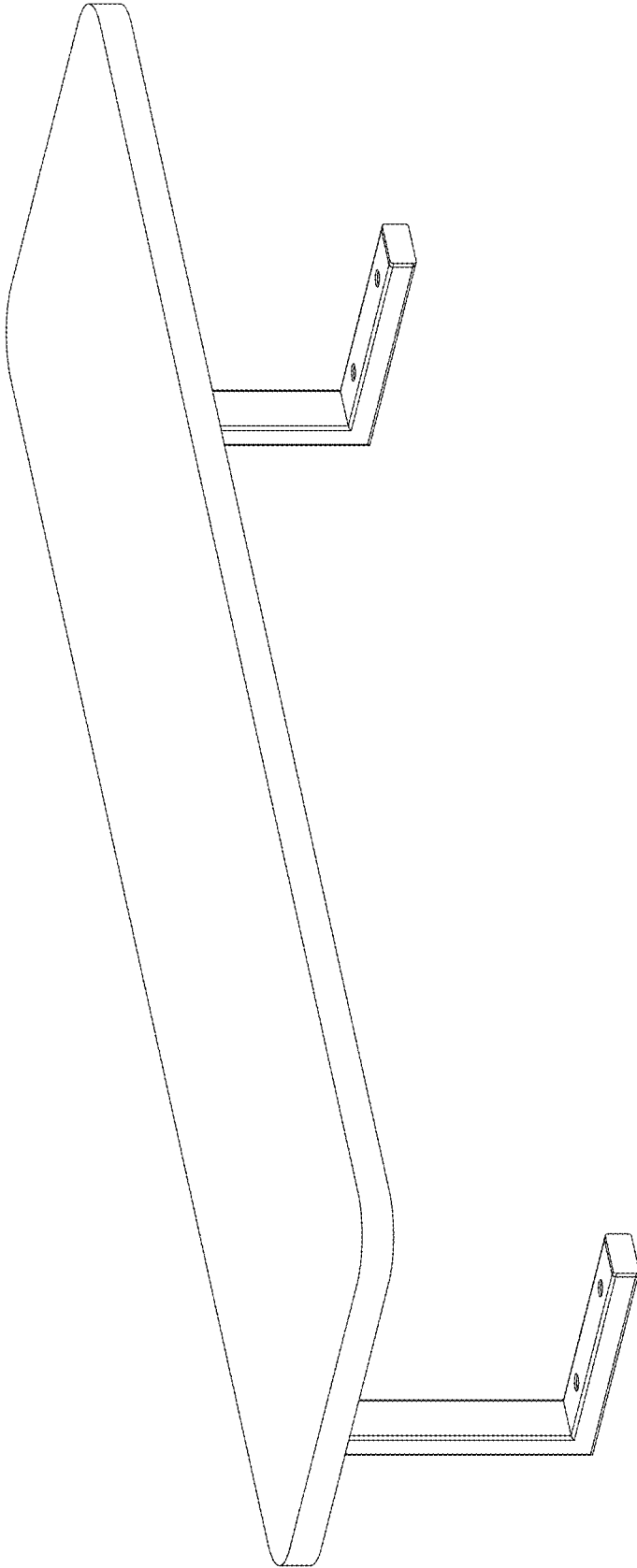


FIG.8

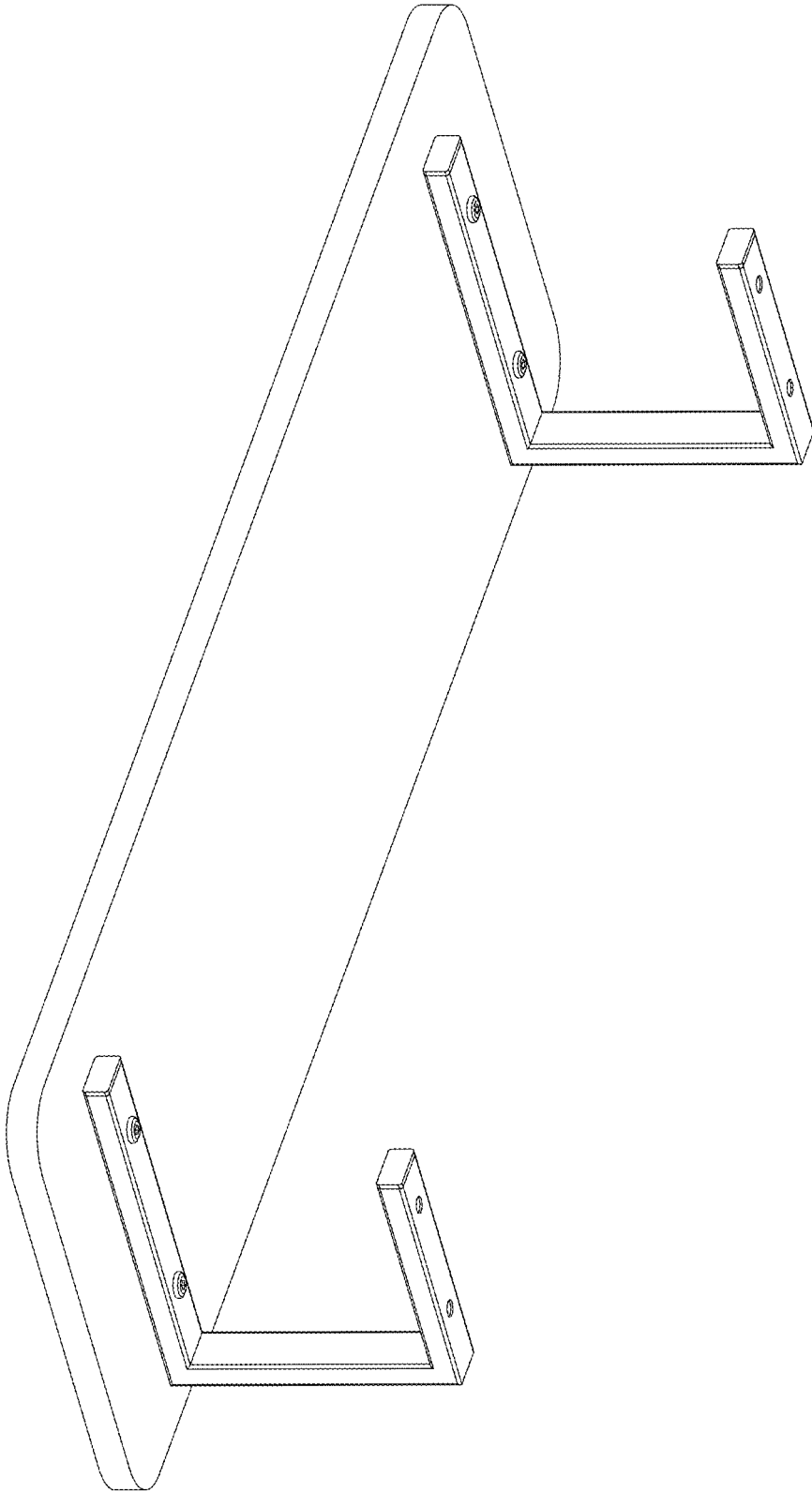


FIG.9

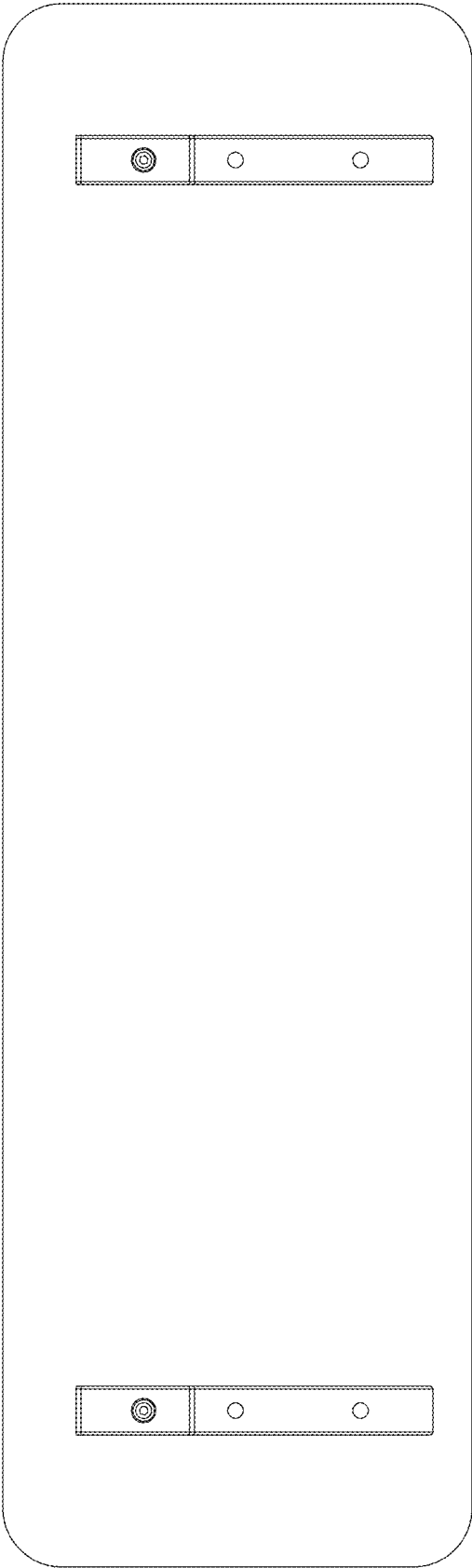


FIG. 10

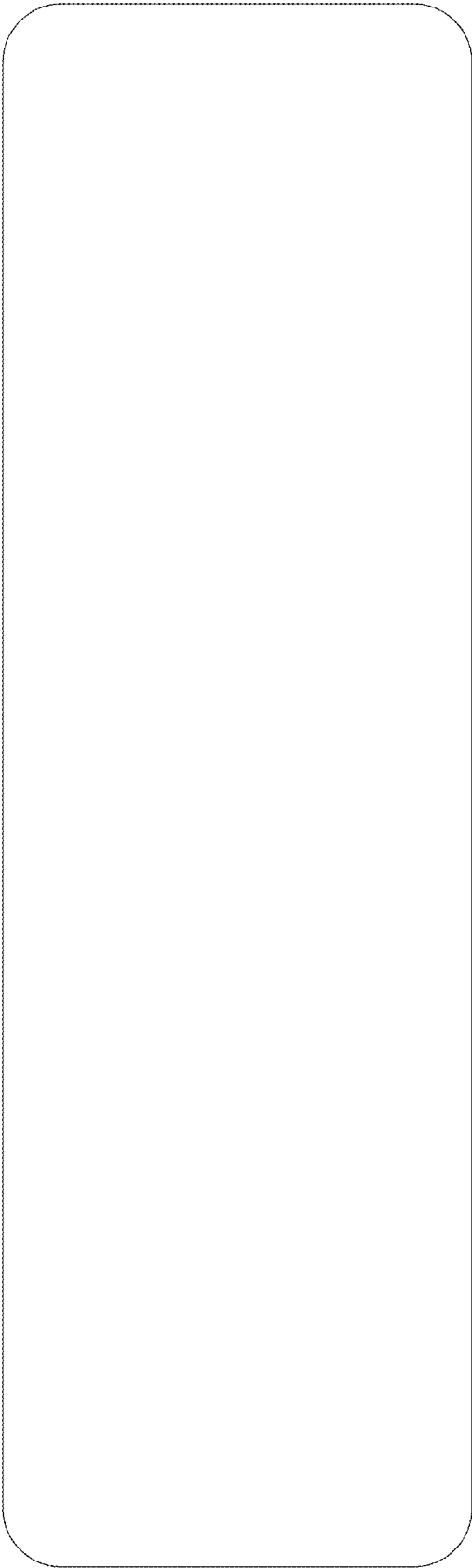


FIG. 11