



- (51) **International Patent Classification:**
B65D 77/22 (2006.01) B65D 51/16 (2006.01)
- (21) **International Application Number:**
PCT/US2015/055782
- (22) **International Filing Date:**
15 October 2015 (15.10.2015)
- (25) **Filing Language:** English
- (26) **Publication Language:** English
- (30) **Priority Data:**
14/515,598 16 October 2014 (16.10.2014) US
- (71) **Applicant: R. J. REYNOLDS TOBACCO COMPANY**
[US/US]; 401 North Main Street, Winston-Salem, North Carolina 27101-3804 (US).
- (72) **Inventors: POTTER, Dennis Lee;** 5635 Regents Park Road, Kernersville, North Carolina 27284 (US). **HUNT, Eric Taylor;** 4812 Silver Springs Road, Pfafftown, North Carolina 27040 (US). **LIBERTI, Michael Andrew;** 6719 Forest Oak Drive, Clemmons, North Carolina 27012 (US). **MABE, Jeremy Barrett;** 730 Mount Olivet Church Road, Lexington, North Carolina 27295 (US). **PATEL, Pankaj;** 3761 Squirewood Drive, Clemmons, North Carolina 27012 (US). **BENGTSSON, Bruce Alan;** 2211 Westfield Avenue, Winston-Salem, North Carolina 27103 (US).
- (74) **Agent: ORDERS, Christopher H.;** Womble Carlyle Sandridge & Rice, LLP, Attn: Patent Docketing, P.O. Box 7037, Atlanta, Georgia 30357-0037 (US).
- (81) **Designated States** (unless otherwise indicated, for every kind of national protection available): AE, AG, AL, AM,

AO, AT, AU, AZ, BA, BB, BG, BH, BN, BR, BW, BY, BZ, CA, CH, CL, CN, CO, CR, CU, CZ, DE, DK, DM, DO, DZ, EC, EE, EG, ES, FI, GB, GD, GE, GH, GM, GT, HN, HR, HU, ID, IL, IN, IR, IS, JP, KE, KG, KN, KP, KR, KZ, LA, LC, LK, LR, LS, LU, LY, MA, MD, ME, MG, MK, MN, MW, MX, MY, MZ, NA, NG, NI, NO, NZ, OM, PA, PE, PG, PH, PL, PT, QA, RO, RS, RU, RW, SA, SC, SD, SE, SG, SK, SL, SM, ST, SV, SY, TH, TJ, TM, TN, TR, TT, TZ, UA, UG, US, UZ, VC, VN, ZA, ZM, ZW.

- (84) **Designated States** (unless otherwise indicated, for every kind of regional protection available): ARIPO (BW, GH, GM, KE, LR, LS, MW, MZ, NA, RW, SD, SL, ST, SZ, TZ, UG, ZM, ZW), Eurasian (AM, AZ, BY, KG, KZ, RU, TJ, TM), European (AL, AT, BE, BG, CH, CY, CZ, DE, DK, EE, ES, FI, FR, GB, GR, HR, HU, IE, IS, IT, LT, LU, LV, MC, MK, MT, NL, NO, PL, PT, RO, RS, SE, SI, SK, SM, TR), OAPI (BF, BJ, CF, CG, CI, CM, GA, GN, GQ, GW, KM, ML, MR, NE, SN, TD, TG).

Declarations under Rule 4.17:

- as to applicant's entitlement to apply for and be granted a patent (Rule 4.17(H))
- as to the applicant's entitlement to claim the priority of the earlier application (Rule 4.17(in))

Published:

- with international search report (Art. 21(3))
- before the expiration of the time limit for amending the claims and to be republished in the event of receipt of amendments (Rule 48.2(h))

[Continued on nextpage]

(54) **Title:** PACKAGE FOR A TOBACCO-CONTAINING MATERIAL WITH A VALVE ASSEMBLY AND RELATED PACKAGING METHOD

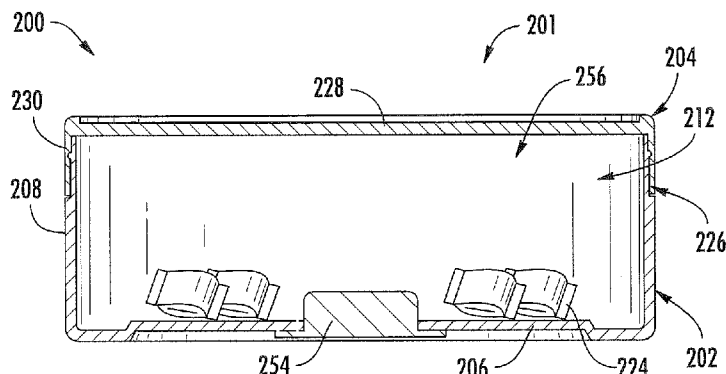
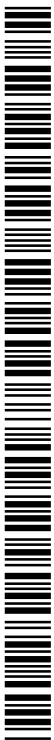


FIG. 2

(57) **Abstract:** A package that may be employed to store a tobacco-containing material is provided. The package may include a container and a valve assembly. The container may include a body portion and a cover configured to engage the body portion. The body portion may define an internal space therein. The valve assembly may be configured to affect an atmosphere within the internal space of the container. For example, the valve assembly may remain closed except when releasing pressure from the internal space. Thereby, by way of further example, the valve assembly may vent the container so as to avoid damage thereto, while reducing moisture loss from the tobacco-containing material stored in the internal space.



(88) Date of publication of the international search report:

9 June 2016

INTERNATIONAL SEARCH REPORT

International application No
PCT/US2015/055782

A. CLASSIFICATION OF SUBJECT MATTER INV. B65D77/22 B65D5 1/ 16 ADD.		
According to International Patent Classification (IPC) or to both national classification and IPC		
B. FIELDS SEARCHED Minimum documentation searched (classification system followed by classification symbols) B65D		
Documentation searched other than minimum documentation to the extent that such documents are included in the fields searched		
Electronic data base consulted during the international search (name of data base and, where practicable, search terms used) EPO-Internal , WPI Data		
C. DOCUMENTS CONSIDERED TO BE RELEVANT		
Category*	Citation of document, with indication, where appropriate, of the relevant passages	Relevant to claim No.
X	wo 2009/02 1855 AI (BRITISH AMERICAN TOBACCO LTD [GB] ; GIBSON PAUL [GB]) 19 February 2009 (2009-02-19)	1- 8 , 20-23
A	page 2, line 7 - page 2, line 26 page 3, line 29 - page 4, line 21 page 5, line 29 - page 6, line 10 page 6, line 21 - page 6, line 34 page 8, line 3 - page 8, line 24 figures 1-4B	9- 16 , 24-32
A	----- US 2006/096982 AI (GUNTER JAMES [US] ET AL) 11 May 2006 (2006-05-11) the whole document	1- 16 , 20-32
A	----- US 2009/232947 AI (BUSSON GERARD LAURENT [US] ET AL) 17 September 2009 (2009-09-17) the whole document	1- 16 , 20-32
	----- - / - -	
<input checked="" type="checkbox"/> Further documents are listed in the continuation of Box C. <input checked="" type="checkbox"/> See patent family annex.		
* Special categories of cited documents :		
"A" document defining the general state of the art which is not considered to be of particular relevance "E" earlier application or patent but published on or after the international filing date "L" document which may throw doubts on priority claim(s) or which is cited to establish the publication date of another citation or other special reason (as specified) "O" document referring to an oral disclosure, use, exhibition or other means "P" document published prior to the international filing date but later than the priority date claimed		"T" later document published after the international filing date or priority date and not in conflict with the application but cited to understand the principle or theory underlying the invention "X" document of particular relevance; the claimed invention cannot be considered novel or cannot be considered to involve an inventive step when the document is taken alone "Y" document of particular relevance; the claimed invention cannot be considered to involve an inventive step when the document is combined with one or more other such documents, such combination being obvious to a person skilled in the art "&" document member of the same patent family
Date of the actual completion of the international search 19 April 2016		Date of mailing of the international search report 29/04/2016
Name and mailing address of the ISA/ European Patent Office, P.B. 5818 Patentlaan 2 NL - 2280 HV Rijswijk Tel. (+31-70) 340-2040, Fax: (+31-70) 340-3016		Authorized officer Weyand , Tim

INTERNATIONAL SEARCH REPORT

International application No.
PCT/US2015/055782

Box No. II Observations where certain claims were found unsearchable (Continuation of item 2 of first sheet)

This international search report has not been established in respect of certain claims under Article 17(2)(a) for the following reasons:

1. Claims Nos.:
because they relate to subject matter not required to be searched by this Authority, namely:

2. Claims Nos.:
because they relate to parts of the international application that do not comply with the prescribed requirements to such an extent that no meaningful international search can be carried out, specifically:

3. Claims Nos.:
because they are dependent claims and are not drafted in accordance with the second and third sentences of Rule 64(a).

Box No. III Observations where unity of invention is lacking (Continuation of item 3 of first sheet)

This International Searching Authority found multiple inventions in this international application, as follows:

see additional sheet

1. As all required additional search fees were timely paid by the applicant, this international search report covers all searchable claims.

2. As all searchable claims could be searched without effort justifying an additional fees, this Authority did not invite payment of additional fees.

3. As only some of the required additional search fees were timely paid by the applicant, this international search report covers only those claims for which the fees were paid, specifically claims Nos.:

1-16, 20-32

4. No required additional search fees were timely paid by the applicant. Consequently, this international search report is restricted to the invention first mentioned in the claims; it is covered by claims Nos.:

Remark on Protest

- The additional search fees were accompanied by the applicant's protest and, where applicable, the payment of a protest fee.
- The additional search fees were accompanied by the applicant's protest but the applicable protest fees were not paid within the time limit specified in the invitation.
- No protest accompanied the payment of additional search fees.

FURTHER INFORMATION CONTINUED FROM PCT/ISA/ 210

This International Searching Authority found multiple (groups of) inventions in this international application, as follows:

1. claims: 1-8, 20-23

Package with valve in container

2. claims: 9-16, 24-32

Package with valve in barrier film

3. claims: 17, 18, 33, 34

Package with valve in peripheral film

4. claim: 19

Package with protected valve

INTERNATIONAL SEARCH REPORT

International application No PCT/US2015/055782

C(Continuation). DOCUMENTS CONSIDERED TO BE RELEVANT		
Category*	Citation of document, with indication, where appropriate, of the relevant passages	Relevant to claim No.
X	US 2004/096552 A1 (THOMAS JEFFREY A [US] ET AL) 20 May 2004 (2004-05-20)	1-4, 9-14, 20, 21, 24-29, 31, 32
A	figures 1-9 paragraphs [0031], [0032], [0037], [0038], [0042] -----	5-8, 15, 16, 22, 23, 30
X	US 2012/141637 A1 (MOONEY KRISTIN ANN [US] ET AL) 7 June 2012 (2012-06-07)	1-4, 20, 21
A	paragraphs [0019], [0020], [0025]; figures 1-7 -----	5, 6, 22-32

INTERNATIONAL SEARCH REPORT

Information on patent family members

International application No PCT/US2015/055782

Patent document cited in search report	AI	Publication date	Patent family member(s)	Publication date
wo 2009021855	AI	19-02-2009	NONE	
US 2006096982	AI	11-05-2006	BR P10504849 A	27-06-2006
			CA 2523823 AI	29-04-2006
			MX PA05011639 A	04-05-2006
			US 2006096982 AI	11-05-2006
			US 2008060321 AI	13-03-2008
US 2009232947	AI	17-09--2009	CA 2715032 AI	17--09--2009
			EP 2262701 AI	22--12--2010
			US 2009232947 AI	17--09--2009
			Wo 2009114653 AI	17--09--2009
US 2004Q96552	AI	20--05--2004	NONE	
US 2012141637	AI	07--06--2012	CA 2760033 AI	07--06--2012
			US 2012141637 AI	07--06--2012