



(51) International Patent Classification:

C02F 1/00 (2006.01) C02F 1/467 (2006.01)
A47L 11/00 (2006.01) C02F 1/52 (2006.01)

(21) International Application Number:

PCT/GB2013/050693

(22) International Filing Date:

19 March 2013 (19.03.2013)

(25) Filing Language:

English

(26) Publication Language:

English

(30) Priority Data:

1204961.5 21 March 2012 (21.03.2012) GB
12275079.7 29 May 2012 (29.05.2012) EP
1221918.4 5 December 2012 (05.12.2012) GB

(71) Applicant: **INNOVATIVE INDUSTRIES LIMITED**

[GB/GB]; Unit 1 Wharfside Business Park, Irlam Wharf Road, Irlam, Manchester, Lancashire M44 5PN (GB).

(72) Inventor: **CROMPTON, Dean William**; 3 The Barton, Fairmile Estate, Cobham, Surrey, KT11 2NJ (GB).

(74) Agents: **BROOKE-JONES, Helen** et al.; Wilson Gunn, 5th Floor, Blackfriars House, The Parsonage, Manchester, Lancashire M3 2JA (GB).

(81) Designated States (unless otherwise indicated, for every kind of national protection available): AE, AG, AL, AM, AO, AT, AU, AZ, BA, BB, BG, BH, BN, BR, BW, BY, BZ, CA, CH, CL, CN, CO, CR, CU, CZ, DE, DK, DM, DO, DZ, EC, EE, EG, ES, FI, GB, GD, GE, GH, GM, GT, HN, HR, HU, ID, IL, IN, IS, JP, KE, KG, KM, KN, KP, KR, KZ, LA, LC, LK, LR, LS, LT, LU, LY, MA, MD, ME, MG, MK, MN, MW, MX, MY, MZ, NA, NG, NI, NO, NZ, OM, PA, PE, PG, PH, PL, PT, QA, RO, RS, RU, RW, SC, SD, SE, SG, SK, SL, SM, ST, SV, SY, TH, TJ, TM, TN, TR, TT, TZ, UA, UG, US, UZ, VC, VN, ZA, ZM, ZW.

(84) Designated States (unless otherwise indicated, for every kind of regional protection available): ARIPO (BW, GH, GM, KE, LR, LS, MW, MZ, NA, RW, SD, SL, SZ, TZ, UG, ZM, ZW), Eurasian (AM, AZ, BY, KG, KZ, RU, TJ, TM), European (AL, AT, BE, BG, CH, CY, CZ, DE, DK,

[Continued on next page]

(54) Title: WATER RECYCLING UNIT

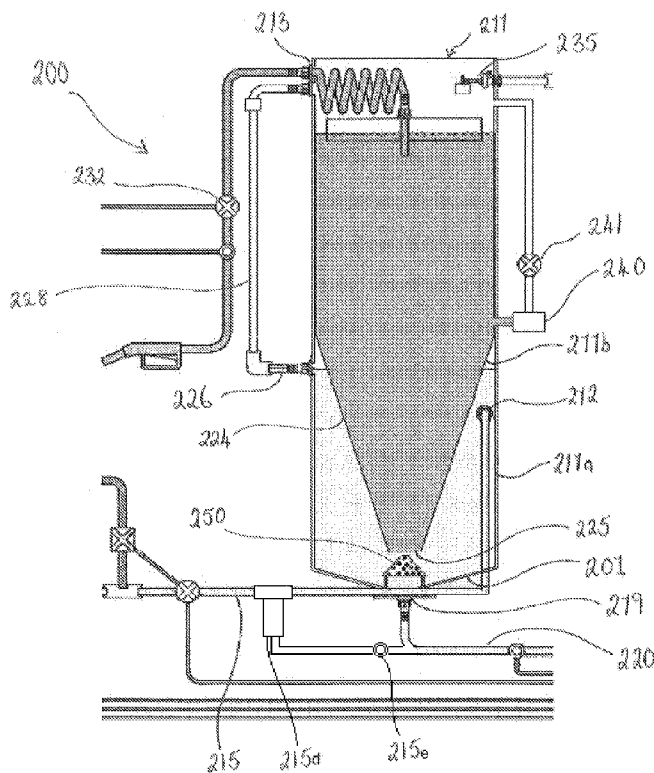


FIGURE 2

(57) Abstract: A water recycling unit for use with a reservoir of water, comprising: a water tank; a water inlet on said tank; and a water outlet on said tank for connection to said reservoir of water, the water inlet being adapted to receive water from the reservoir of water into said water tank, and the water outlet being adapted to supply water to said reservoir, wherein the water outlet is located at a top of said water tank and the water inlet is located below said water outlet, wherein the water tank comprises a settling arrangement and the unit comprises a coagulant delivery means either at or before said water inlet.





EE, ES, FI, FR, GB, GR, HR, HU, IE, IS, IT, LT, LU,
LV, MC, MK, MT, NL, NO, PL, PT, RO, RS, SE, SI, SK,
SM, TR), OAPI (BF, BJ, CF, CG, CI, CM, GA, GN, GQ,
GW, ML, MR, NE, SN, TD, TG).

— *before the expiration of the time limit for amending the
claims and to be republished in the event of receipt of
amendments (Rule 48.2(h))*

Published:

— *with international search report (Art. 21(3))*

(88) Date of publication of the international search report:

19 December 2013

INTERNATIONAL SEARCH REPORT

International application No
PCT/GB2013/050693

A. CLASSIFICATION OF SUBJECT MATTER
INV. C02F1/00 A47L11/00 C02F1/467 C02F1/52
ADD.
According to International Patent Classification (IPC) or to both national classification and IPC

B. FIELDS SEARCHED
Minimum documentation searched (classification system followed by classification symbols)
C02F A47L B01D

Documentation searched other than minimum documentation to the extent that such documents are included in the fields searched

Electronic data base consulted during the international search (name of data base and, where practicable, search terms used)
EPO-Internal, WPI Data

C. DOCUMENTS CONSIDERED TO BE RELEVANT

Category*	Citation of document, with indication, where appropriate, of the relevant passages	Relevant to claim No.
X	EP 1 637 205 A1 (EBARA CORP [JP]) 22 March 2006 (2006-03-22)	1-29
Y	paragraph [0024]; figure 5 -----	21
X	EP 1 813 336 A1 (NISHIHARA ENVIRONMENT TECH INC [JP]) 1 August 2007 (2007-08-01) figure 1 -----	1-29
X	WO 98/32702 A1 (DEGREMONT [FR]; VION PATRICK [FR]) 30 July 1998 (1998-07-30) figure 1 -----	1
Y	US 1 194 000 A (DANIEL T. DOBYNS) 8 August 1916 (1916-08-08) page 2, line 6 - line 20 -----	21
	-/--	

Further documents are listed in the continuation of Box C.

See patent family annex.

* Special categories of cited documents :

"A" document defining the general state of the art which is not considered to be of particular relevance

"E" earlier application or patent but published on or after the international filing date

"L" document which may throw doubts on priority claim(s) or which is cited to establish the publication date of another citation or other special reason (as specified)

"O" document referring to an oral disclosure, use, exhibition or other means

"P" document published prior to the international filing date but later than the priority date claimed

"T" later document published after the international filing date or priority date and not in conflict with the application but cited to understand the principle or theory underlying the invention

"X" document of particular relevance; the claimed invention cannot be considered novel or cannot be considered to involve an inventive step when the document is taken alone

"Y" document of particular relevance; the claimed invention cannot be considered to involve an inventive step when the document is combined with one or more other such documents, such combination being obvious to a person skilled in the art

"&" document member of the same patent family

Date of the actual completion of the international search 2 August 2013	Date of mailing of the international search report 06/11/2013
--	--

Name and mailing address of the ISA/ European Patent Office, P.B. 5818 Patentlaan 2 NL - 2280 HV Rijswijk Tel. (+31-70) 340-2040, Fax: (+31-70) 340-3016	Authorized officer González Arias, M
--	---

INTERNATIONAL SEARCH REPORT

International application No.
PCT/GB2013/050693

Box No. II Observations where certain claims were found unsearchable (Continuation of item 2 of first sheet)

This international search report has not been established in respect of certain claims under Article 17(2)(a) for the following reasons:

1. Claims Nos.:
because they relate to subject matter not required to be searched by this Authority, namely:

2. Claims Nos.:
because they relate to parts of the international application that do not comply with the prescribed requirements to such an extent that no meaningful international search can be carried out, specifically:

3. Claims Nos.:
because they are dependent claims and are not drafted in accordance with the second and third sentences of Rule 6.4(a).

Box No. III Observations where unity of invention is lacking (Continuation of item 3 of first sheet)

This International Searching Authority found multiple inventions in this international application, as follows:

see additional sheet

1. As all required additional search fees were timely paid by the applicant, this international search report covers all searchable claims.

2. As all searchable claims could be searched without effort justifying an additional fees, this Authority did not invite payment of additional fees.

3. As only some of the required additional search fees were timely paid by the applicant, this international search report covers only those claims for which fees were paid, specifically claims Nos.:

4. No required additional search fees were timely paid by the applicant. Consequently, this international search report is restricted to the invention first mentioned in the claims; it is covered by claims Nos.:

1-30

Remark on Protest

- The additional search fees were accompanied by the applicant's protest and, where applicable, the payment of a protest fee.
- The additional search fees were accompanied by the applicant's protest but the applicable protest fee was not paid within the time limit specified in the invitation.
- No protest accompanied the payment of additional search fees.

FURTHER INFORMATION CONTINUED FROM PCT/ISA/ 210

This International Searching Authority found multiple (groups of) inventions in this international application, as follows:

1. claims: 1-29

water recycling unit for use with a reservoir of water comprising a settling arrangement

1.1. claim: 30

A water re-fill unit for use with a reservoir of water comprising filtration means

2. claims: 31-36

An adaptor for connection to a water conductor

INTERNATIONAL SEARCH REPORT

International application No
PCT/GB2013/050693

C(Continuation). DOCUMENTS CONSIDERED TO BE RELEVANT		
Category*	Citation of document, with indication, where appropriate, of the relevant passages	Relevant to claim No.
X	US 5 718 015 A (ROHRBACHER RICHARD D [US]) 17 February 1998 (1998-02-17) column 8, line 55 - column 9, line 6; figures 1,7 -----	30
X	US 5 985 009 A (MARSALA VINCENT J [US]) 16 November 1999 (1999-11-16) figure 1 -----	30

INTERNATIONAL SEARCH REPORT

Information on patent family members

International application No PCT/GB2013/050693

Patent document cited in search report	Publication date	Patent family member(s)	Publication date
EP 1637205	A1	22-03-2006	CA 2526524 A1 02-12-2004 EP 1637205 A1 22-03-2006 WO 2004103521 A1 02-12-2004
EP 1813336	A1	01-08-2007	CN 101072615 A 14-11-2007 EP 1813336 A1 01-08-2007 JP 3954055 B2 08-08-2007 JP 2006095493 A 13-04-2006 KR 20070043687 A 25-04-2007 MY 139683 A 30-10-2009 TW I300006 B 21-08-2008 WO 2006036014 A1 06-04-2006
WO 9832702	A1	30-07-1998	AT 210084 T 15-12-2001 AU 6218498 A 18-08-1998 BR 9806789 A 16-05-2000 CA 2279405 A1 30-07-1998 DE 961759 T1 08-06-2000 DE 69802781 D1 17-01-2002 DE 69802781 T2 23-05-2002 EP 0961759 A1 08-12-1999 ES 2138948 T1 01-02-2000 JP 3945541 B2 18-07-2007 JP 2001508697 A 03-07-2001 NO 993618 A 26-07-1999 PT 961759 E 31-05-2002 US 6210588 B1 03-04-2001 WO 9832702 A1 30-07-1998
US 1194000	A	08-08-1916	NONE
US 5718015	A	17-02-1998	US 5601659 A 11-02-1997 US 5718015 A 17-02-1998
US 5985009	A	16-11-1999	NONE