



INTERNATIONAL APPLICATION PUBLISHED UNDER THE PATENT COOPERATION TREATY (PCT)

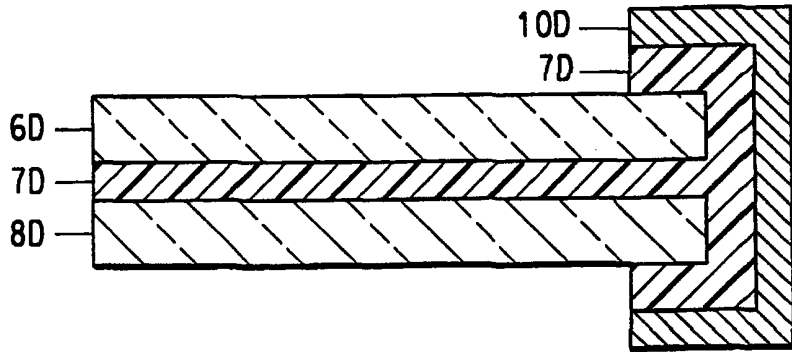
<p>(51) International Patent Classification ⁷ : B32B 17/10, C03C 27/12, E06B 5/12</p>	<p>A1</p>	<p>(11) International Publication Number: WO 00/64670 (43) International Publication Date: 2 November 2000 (02.11.00)</p>
---	------------------	--

<p>(21) International Application Number: PCT/US00/10406 (22) International Filing Date: 19 April 2000 (19.04.00)</p> <p>(30) Priority Data: 60/130,455 22 April 1999 (22.04.99) US 09/551,334 18 April 2000 (18.04.00) US</p> <p>(71) Applicant: E.I. DU PONT DE NEMOURS AND COMPANY [US/US]; 1007 Market Street, Wilmington, DE 19898 (US). (72) Inventor: SMITH, C., Anthony; 5231 Glenbrook Drive, Vienna, WV 26105 (US). (74) Agent: DOBSON, Kevin, S.; E.I. Du Pont de Nemours and Company, Legal Patent Records Center, 1007 Market Street, Wilmington, DE 19898 (US).</p>	<p>(81) Designated States: AU, CA, JP, European patent (AT, BE, CH, CY, DE, DK, ES, FI, FR, GB, GR, IE, IT, LU, MC, NL, PT, SE).</p> <p>Published <i>With international search report.</i></p>
---	---

(54) Title: GLASS LAMINATES HAVING IMPROVED STRUCTURAL INTEGRITY AGAINST SEVERE IMPACTS

(57) Abstract

A glazing element having a transparent laminate secured to a structural support, and a process for preparing the same. The laminate comprises at least one layer of glass (6D, 8D) having self-adhered directly to the layer of glass (6D, 8D) of thermoplastic polymer (7D) having low haze, wherein the layer of thermoplastic polymer is attached to the structural support (10D) along the edges of the laminate.



FOR THE PURPOSES OF INFORMATION ONLY

Codes used to identify States party to the PCT on the front pages of pamphlets publishing international applications under the PCT.

AL	Albania	ES	Spain	LS	Lesotho	SI	Slovenia
AM	Armenia	FI	Finland	LT	Lithuania	SK	Slovakia
AT	Austria	FR	France	LU	Luxembourg	SN	Senegal
AU	Australia	GA	Gabon	LV	Larvia	SZ	Swaziland
AZ	Azerbaijan	GB	United Kingdom	MC	Monaco	TD	Chad
BA	Bosnia and Herzegovina	GE	Georgia	MD	Republic of Moldova	TG	Togo
BB	Barbados	GH	Ghana	MG	Madagascar	TJ	Tajikistan
BE	Belgium	GN	Guinea	MK	The former Yugoslav Republic of Macedonia	TM	Turkmenistan
BF	Burkina Faso	GR	Greece			TR	Turkey
BG	Bulgaria	HU	Hungary	ML	Mali	TT	Trinidad and Tobago
BJ	Benin	IE	Ireland	MN	Mongolia	UA	Ukraine
BR	Brazil	IL	Israel	MR	Mauritania	UG	Uganda
BY	Belarus	IS	Iceland	MW	Malawi	US	United States of America
CA	Canada	IT	Italy	MX	Mexico	UZ	Uzbekistan
CF	Central African Republic	JP	Japan	NE	Niger	VN	Viet Nam
CG	Congo	KE	Kenya	NL	Netherlands	YU	Yugoslavia
CH	Switzerland	KG	Kyrgyzstan	NO	Norway	ZW	Zimbabwe
CI	Côte d'Ivoire	KP	Democratic People's Republic of Korea	NZ	New Zealand		
CM	Cameroon			PL	Poland		
CN	China	KR	Republic of Korea	PT	Portugal		
CU	Cuba	KZ	Kazakstan	RO	Romania		
CZ	Czech Republic	LC	Saint Lucia	RU	Russian Federation		
DE	Germany	LI	Liechtenstein	SD	Sudan		
DK	Denmark	LK	Sri Lanka	SE	Sweden		
EE	Estonia	LR	Liberia	SG	Singapore		

TITLE**GLASS LAMINATES HAVING IMPROVED STRUCTURAL INTEGRITY
AGAINST SEVERE IMPACTS****BACKGROUND OF THE INVENTION**

5 This application claims benefit of U. S. Provisional Application No. 60/130,455, filed April 22, 1999.

Field of the Invention

 This invention relates to laminated glass structures. This invention particularly relates to laminated glass structures that can withstand severe impact.

10 **Description of the prior art**

 Threat-resistant windows and glass structures are known. U.S. Patent No. 5,960,606 ('606) and U.S. Patent No. 4,799,376 ('376) each describes laminate windows that are made to withstand severe forces. In International Publication Number WO 98/28515 (IPN '515), for example, a glass laminate is positioned in a
15 rigid channel in which a resilient material adjacent to the glass permits flexing movement between the resilient material and the rigid channel. Other means of holding glazing panels exist such as adhesive tapes, gaskets, putty, and the like can be used to secure panels to a frame.

 Prior art windows and glass structures capable of withstanding hurricane-
20 force winds and high force impacts are not trouble-free, however. For example, when subjected to severe hurricane forces the flexing movement in the windows of IPN '515, wherein glass flexes within a rigid channel, gradually pulls the laminate out of the channel resulting in loss of integrity of the structure. In '376, the glass held against the frame can be broken and crushed, causing a loss of
25 structural integrity in the window/frame structure.

SUMMARY OF THE INVENTION

 In one aspect, the present invention is a glazing element comprising a transparent laminate and a supporting structure attached to the laminate, the laminate comprising at least one layer of glass bonded directly to an interlayer of a
30 thermoplastic polymer having low haze, wherein the polymer is exposed in such a manner as to allow for attachment of the laminate to the supporting structure, and wherein the laminate is attached to the supporting structure by way of the polymeric interlayer.

 In another aspect, the present invention is a process for fabricating a
35 glazing element which includes a glass/thermoplastic polymer laminate in a

supporting structure comprising the steps: forming the glass/plastic laminate by positioning a thermoplastic polymer interlayer between two glass plates, the polymer being exposed in such a manner as to allow for attachment of the laminate to the supporting structure; removing air from between the layers of glass and the interlayer; applying heat and external pressure to adhesively bond the glass plates to the interlayer; and, attaching the polymeric interlayer to the supporting structure.

In still another aspect, the present invention is a process for fabricating a glazing element which includes a glass/thermoplastic polymer laminate in a supporting structure comprising the steps: forming the glass/plastic laminate by positioning a thermoplastic polymer interlayer between two glass plates, the polymer being exposed in such a manner as to allow for attachment of the laminate to the supporting structure; removing air from between the layers of glass and the interlayer; applying heat, but not external pressure, to adhesively bond the glass plates to the interlayer; and, attaching the polymeric interlayer to the supporting structure.

In another aspect, the present invention is a glazing structure comprising a transparent laminate having two layers of glass, each glass layer having a tin-side and an air-side, wherein the glass layers are laminated together with a thermoplastic polymer interlayer between the two layers of glass in such a manner that the interlayer is self-adhered to at least one of the glass surfaces, and wherein the interlayer is an ionomer resin.

BRIEF DESCRIPTION OF THE DRAWING

FIGURE 1 shows a conventional laminate comprising glass, a thermoplastic interlayer and glass, the glass being attached to a frame through an intermediary adhesive layer.

FIGURES 2A-2H show various glass/interlayer/glass laminate assemblies wherein the interlayer is exposed in such a manner as to allow for attachment of the laminate to the frame. FIGURES 2A and 2H additionally each includes an adhesive layer between the frame and the interlayer.

FIGURES 3A-3D depict a process for preparing a glass/interlayer/glass laminate assembly wherein the laminate is produced by removing air from the laminate using vacuum, and wherein the construction of the frame enables connection of the laminate/frame assembly to a vacuum source by way of a channel, and further wherein the laminate frame assembly can be disconnected

from the vacuum source to obtain a glass/interlayer/glass laminate assembly that is securely attached to a frame.

FIGURE 4 depicts a frame/laminate assembly wherein the interlayer fills at least part of the void-space between the frame and the surface of the glass layers.

FIGURE 5 depicts a glass/interlayer/glass configuration wherein the interlayer is attached to a wire mesh or other attachment means, which is in turn attached to the frame.

FIGURE 6 shows a stepwise process for attaching glazing or laminate to a frame by way of an interlayer, without requiring that the entire periphery of the polymer be attached to the frame.

DETAILED DESCRIPTION

It has now been found that attaching the interlayer of a glass/thermoplastic laminate (laminate) to a support structure provides glazing elements with improved integrity. The glazing element of this invention comprises a support structure supporting a glazing structure comprising a laminate of at least one layer of glass and at least one thermoplastic polymer layer that is self-adhered directly to at least one surface of the glass. A sheet of the polymer has a high modulus, excellent tear strength and excellent adhesion directly to glass. Preferably the thermoplastic polymer layer is a particular ionomer resin.

The edges of the interlayer material of the laminate can be attached, either directly, or indirectly by some attachment means, to a structure that supports the laminate glazing structure (hereinafter support structure). The support structure can be a frame, or the laminate can be supported by bolts, screws, wires, nails, staples, or any other conventional means for supporting a glazing element. Attachment of the interlayer to the support can be from the top, sides, bottom, or through the interlayer material. While it is preferred that the support structure is a frame that surrounds the glazing structure, other support structures or means are not necessarily excluded.

A laminate of the present invention has excellent durability, impact resistance, toughness, and resistance to cuts by glass. A laminate of the present invention is particularly useful in architectural applications in buildings subjected to hurricanes and wind storms and also as side windows for automobiles and trucks that can be subjected to the repeated attacks by a person attempting to break into the vehicle. A laminate of the present invention that is attached to the frame

by way of the interlayer is not torn from the frame after such stress or attack. A laminate of the present invention also has a low haze and excellent transparency. These properties make it useful as architectural glass, including use for reduction of solar rays, sound control, safety, and security, for example.

5 In one embodiment, a laminate of the present invention comprises at least one layer of glass having self-adhered directly to a surface of the glass an interlayer formed from a thermoplastic polymer having low haze, wherein the outer edges of the interlayer polymer are attached to a surrounding frame. In the process of the present invention the laminate is anchored to the frame by way of
10 the interlayer, which is exposed in such a manner as to allow for attachment of the laminate to the supporting structure.

The interlayer is positioned between the glass plates such that the interlayer is exposed in such a manner that it can be attached to the surrounding frame. The interlayer can be attached to the support structure in either a
15 continuous manner along the perimeter of the laminate. The interlayer can be attached to the structural support in a discontinuous manner at various points around the perimeter of the laminate. Any manner of attaching the laminate to the frame by way of the interlayer is considered to be within the scope of the present invention. For example, the frame surrounding the laminate can contain interlayer
20 material that can bond with the glass surface of the laminate and also with the frame; the interlayer can be mechanically anchored to the frame with a screw, hook, nail, or clamp, for example. Mechanical attachment includes any physical constraint of the interlayer by slotting, fitting, or molding a support to hold the interlayer in place within the structural support. The interlayer can be chemically
25 bonded to the frame with an adhesive material, or by using any combination of mechanical and/or chemical means.

Air can be removed from between the layers of the laminate, and the interlayer can be bonded, or adhered, to the glass plates by applying heat and pressure to the structure. In a preferred embodiment, the interlayer can be bonded
30 without applying increased pressure to the structure.

One preferred laminate of this invention is a transparent laminate of two layers of glass with an intermediate thermoplastic polymer interlayer self-adhered to at least one of the glass surfaces. The interlayer preferably has a Storage Young's Modulus of 50-1,000 MPa (mega Pascals) at 0.3 Hz and 25°C, as
35 determined according to ASTM D 5026-95a.

Preferably, the interlayer of the laminate is a sheet of an ionomer resin, wherein the ionomer resin is a water insoluble salt of a polymer of ethylene and methacrylic acid or acrylic acid, containing about 14-24% by weight of the acid and about 76-86% by weight of ethylene. The ionomer further characterized by having about 10-80% of the acid neutralized with a metallic ion, preferably a sodium ion, and the ionomer has a melt index of about 0.5-50. Melt index is determined at 190°C according to ASTM D1238. The preparation of ionomer resins is disclosed in U.S. Patent No. 3,404,134. Known methods can be used to obtain an ionomer resin with suitable optical properties. For example, it is known that increasing the acid content of an ionomer resin can result in improved clarity of the resin.

Haze and transparency of laminates of this invention are measured according to ASTM D-1003-61 using a Hazegard XL211 hazemeter or Hazeguard Plus Hazemeter (BYK Gardner-USA). Percent haze is the diffusive light transmission as a percent of the total light transmission. To be considered suitable for architectural and transportation uses. The interlayer of the laminates generally is required to have a transparency of at least 90% and a haze of less than 5%.

Further improvement can be obtained by selectively orienting the glass surface of the laminate in the direction from which the extreme force is applied. Glass used in laminated glazing structures can be made by the well-known and conventional float glass method, wherein molten glass is cast onto the surface of a liquid tin bath. The surfaces of glass made in this manner are commonly referred to as having a tin-side and an air-side. Orienting the layers of glass such that the tin sides are bonded to the thermoplastic polymer interlayer can reduce glass spalling and removal of glass upon stress or impact.

In constructing the glazing element, it may be most convenient to laminate the glass layer(s) and interlayer using sheets of the same surface dimensions. The edges of the interlayer can be extended past the periphery of the laminate. The interlayer can be attached to a frame, for example, by positioning a strip of interlayer material along the periphery of the laminate. Alternatively, a strip of the interlayer material can be positioned inside the frame, with the strip and edges of the interlayer material in contact. During the laminating process the materials contact each other and adhere to each other when heated.

For the purposes of this application, when the thermoplastic polymer layer is said to be self-adhered directly to glass, this means that there is no intermediate

layer between the thermoplastic polymer layer and the glass. For example, there is no primer or thin adhesive layer between the glass and the thermoplastic polymer layer, nor has the surface of the glass or thermoplastic layer been specially treated.

5 Standard techniques can be used to form the resin interlayer sheet. For example, compression molding, injection molding, extrusion and/or calendaring can be used. Preferably, conventional extrusion techniques are used. In a typical process, an ionomer resin suitable for use in the present invention can include recycled ionomer resin as well as virgin ionomer resin. Additives such a
10 colorants, antioxidants and UV stabilizers can be charged into a conventional extruder and melt blended and passed through a cartridge type melt filter for contamination removal. The melt can be extruded through a die and pulled through calendar rolls to form sheet about 0.38-4.6 mm thick. Typical colorants that can be used in the ionomer resin sheet are, for example, a bluing agent to
15 reduce yellowing or a whitening agent or a colorant can be added to color the glass or to control solar light.

 The ionomer resin sheet after extrusion can have a smooth surface but preferably has a roughened surface to effectively allow most of the air to be removed from between the surfaces in the laminate during the lamination process.
20 This can be accomplished for example, by mechanically embossing the sheet after extrusion or by melt fracture during extrusion of the sheet and the like.

 The laminate can be prepared according to conventional processes known in the art. In a typical process, the interlayer is placed between two pieces of annealed float glass of dimension 12"x 12" (305 mm x 305 mm) and 2.5 mm
25 nominal thickness, which have been washed and rinsed in demineralized water. The glass/interlayer/glass assembly is then heated in an oven set at 90-100°C for 30 minutes. Thereafter, it is passed through a set of nip rolls (roll pressing) so that most of the air in the void spaces between the glass and the interlayer may be squeezed out, and the edge of the assembly sealed. The assembly at this stage is
30 called a pre-press. The pre-press is then placed in an air autoclave where the temperature is raised to 135°C and pressure to 200 psig (14.3 bar). These conditions are maintained for 20 minutes, after which, the air is cooled while no more air is added to the autoclave. After 20 minutes of cooling when the air temperature in the autoclave is less than 50°C, the excess air pressure is vented.

In a preferred embodiment, a glass sheet, an ionomer resin sheet and a second glass sheet can be laminated together using heat, pressure, and vacuum to remove air. The edges of the resin sheet can be extended into the frame by including a strip of resin sheet in the frame from each edge of the glass. The ionomer resin sheet can be positioned between two glass plates under a vacuum (a vacuum bag or vacuum ring can be used), and can be heated from about 25 to about 135°C to obtain an assembly. The assembly is held at this temperature for from about 15 minutes to about 2.0 hours and then cooled to ambient temperature, generally to about 25°C or less. In this process the edges of the resin sheet can be fused with the resin sheet in the frame creating a monolithic structure. Alternatively, the glass sheets and the ionomer can be laminated according to the same process, except that ambient atmospheric pressure is used.

FIGURE 1 shows a conventional laminate comprising glass (1), a thermoplastic interlayer (2) and glass (3), the glass being attached to a frame (4) through an intermediary adhesive layer (5).

FIGURES 2A-2H show various glass (6)/interlayer (7)/glass (8) laminate assemblies wherein the interlayer extends beyond at least one panel of glass, such that the laminate assemblies can be attached to a frame (10) by way of the interlayer. FIGURE 2A additionally includes an adhesive layer (9A) between the frame and the interlayer. FIGURE 2H is similar to 2A, except that it shows the frame (10H) bonded to the glass with an intermediate adhesive layer (9H). The adhesive can be any adhesive conventional in the art or, alternatively, can be interlayer material.

FIGURES 3A-3D depict a process for preparing a glass(11)/interlayer(12)/glass(13) laminate assembly wherein the laminate is produced by removing air from the laminate using vacuum, and wherein the construction of the frame enables connection of the laminate/frame assembly to a vacuum source by way of a channel (17), and further wherein the laminate frame assembly can be disconnected from the vacuum source to obtain a glass/interlayer/glass laminate assembly that is securely attached to a frame.

FIGURE 4 depicts a frame/laminate assembly wherein the interlayer (19) fills at least part of the void-space between the frame (21) and the surface of the glass layers (18, 20).

FIGURE 5 depicts a glass(23)/interlayer(24)/glass(25) configuration wherein the interlayer (24) is attached to a wire mesh or other attachment means (26), which is in turn anchored to the frame (27, 28).

FIGURE 6 shows how glazing structure or laminate (52) can be anchored
5 to a frame by way of an interlayer (51) without requiring that all of the edges of the polymer be attached to the frame (53).

The Figures do not represent all variations thought to be within the scope of the present invention. Any variation of glass/interlayer/glass laminate assembly wherein a frame can be attached to the interlayer – either directly or
10 indirectly through an intermediary layer, for example an adhesive layer, is believed to be within the scope of the present invention. In a preferred embodiment, wherein the two layers of glass are of different lengths, as in either FIGURE 2A or FIGURE 2H, the short glass layer (6H) is not more than 6 millimeters shorter than the longer layer of glass (8H). Such a structure can be
15 more reliable to uphold its structural integrity than a structure wherein the frame is attached directly to the glass.

For architectural uses and for uses in transportation applications such as automobiles, trucks and trains, a laminate can have two layers of glass and, self-adhered to the glass, an interlayer of a thermoplastic polymer. A laminate of the
20 present invention can have an overall thickness of about 3-30 mm. The interlayer can have a thickness of about 0.38-4.6 mm and each glass layer can be at least 1 mm thick. In a preferred embodiment, the interlayer is self-adhered directly to the glass, that is, an intermediate adhesive layer or coating between the glass and the interlayer is not used. Other laminate constructions can be used such as, for
25 example, multiple layers of glass and thermoplastic interlayers; or a single layer of glass with a thermoplastic polymer interlayer, having adhered to the interlayer a layer of a durable transparent plastic film. Any of the above laminates can be coated with conventional abrasion resistant coatings that are known in the art.

The frame can be fabricated from a variety of materials such as, for
30 example: wood; aluminum; steel; and various strong plastic materials including polyvinyl chloride and nylon. Depending on the material used and the type of installation, the frame may or may not be required to overlay the laminate in order to obtain a fairly rigid adhesive bond between the frame and the laminate interlayer.

The frame can be selected from the many available frame designs in the glazing art, with the requirement that the interlayer can be secured to the frame. The interlayer can be attached, or secured, to the frame with or without use of an adhesive material. FIGURE 2A depicts the use of an adhesive, for example. In
5 FIGURE 2D, the edges of interlayer 2D are self-adhered securely to frame 10D without the use of an additional adhesive. It has been found that an interlayer made from ionomer resin self-adheres securely to most frame materials, such as wood, steel, aluminum and plastics. In some applications it may be desirable to use additional fasteners such as screws, bolts, and clamps along the edge of the
10 frame. Any means of anchoring the interlayer to the frame is suitable for use in the present invention.

An interlayer of the present invention has a Storage Young's Modulus of from about 50 to about 1,000 MPa (mega Pascals) and preferably from about 100 to about 500 MPa, as determined according to ASTM D 5026-95a. The interlayer
15 should remain in the 50-1,000 MPa range of its Storage Young's Modulus at temperatures up to 40°C.

In preparing the glazing elements of this invention, autoclaving can be omitted. Steps well known in the art such as roll pressing (1), vacuum ring or bag pre-pressing (2), or vacuum ring or bagging (3), can be used to prepare the
20 laminates of the present invention. The layers are brought into intimate contact and processed into a final laminate, which is free of bubbles and has good optics and adequate properties to insure laminate performance over the service life of the application. In these processes the objective is to squeeze out or force out a large portion of the air which is between the glass and plastic layer(s). In one
25 embodiment the frame can serve as a vacuum ring. The application of external pressure, in addition to driving out air, brings the glass and plastic layers into direct contact and adhesion develops.

For architectural uses in coastal areas, the laminate of glass/interlayer/glass must pass a simulated hurricane impact and cycling test which measures
30 resistance of a laminate to debris impact and wind pressure cycling. A currently acceptable test is performed in accordance to the South Florida Building Code Chapter 23, section 2315 Impact tests for wind born debris. Fatigue load testing is determined according to Table 23-F of section 2314.5, dated 1994. This test simulates the forces of the wind plus air born debris impacts during severe
35 weather, e.g., a hurricane. A sample 35 inches x 50 inches (88.9 x 127 cm) of the

laminates is tested. The test consists of two impacts on the laminate (one in the center of the laminate sample followed by a second impact in a corner of the laminate). The impacts are done by launching a 9-pound (4.1 kilograms) board nominally 2 inches (5 cm) by 4 inches (10 cm) and 8 feet (2.43 meters) long at 50 feet/second (15.2 meters/second) from an air pressure cannon. If the laminate survives the above impact sequence, it is subjected to an air pressure cycling test. In this test, the laminate is securely fastened to a chamber. In the positive pressure test, the laminate with the impact side outward is fastened to the chamber and a vacuum is applied to the chamber and then varied to correspond with the cycling sequences set forth in the following Table 1. The pressure cycling schedule, as shown in Table 1 below, is specified as fraction of a maximum pressure P. In this test P equals 70 pounds per square foot (3360 Pascals). Each cycle of the first 3500 cycles and subsequent cycles is completed in about 1-3 seconds. On completion of the positive pressure test sequence, the laminate is reversed with the impact side facing inward to the chamber for the negative pressure portion of the test and a vacuum is applied corresponding to the following cycling sequence. The values are expressed as negative values (-).

TABLE 1		
Number of Air Pressure Cycles	Pressure Schedule*	Pressure Range [pounds per square foot (Pascals)]
Positive Pressure (inward acting)		
3,500	0.2 P to 0.5 P	14 to 35 (672-1680 Pascals)
300	0.0 P to 0.6 P	0 to 42 (0-2016 Pascals)
600	0.5 P to 0.8 P	35 to 56 (1680-2688 Pascals)
100	0.3 P to 1.0 P	21 to 70 (1008-3360 Pascals)
Negative Pressure (outward acting)		
50	-0.3 P to -1.0 P	-21 to -70 (-1008 to -3360 Pascals)
1,060	-0.5 P to -0.8 P	-35 to -56 (-1680 to -2688 Pascals)
50	0.0 P to -0.6 P	-0 to -42 (0 to -2016 Pascals)
3,350	-0.2 P to -0.5 P	-14 to -35 (-672 to -1680 Pascals)

*Absolute pressure level where P is 70 pounds per square foot (3360 Pascals).

A laminate passes the impact and cycling test when there are no tears or openings over 5 inches (12.7 cm) in length and not greater than 1/16 inch (0.16 cm) in width.

The Examples are for illustrative purposes only, and are not intended to limit the scope of the invention.

EXAMPLE 1

Six separate glass laminates are prepared. All laminates used a 90 mil
5 (2.3 mm) thick interlayer of an ionomer resin composed of 81% ethylene, 19%
methacrylic acid, 37% neutralized with sodium ion and having a melt index of 2
and 2 layers of glass, each 3 mm in thickness. The ionomer resin is available as
Surllyn® ionomer resin made by E. I. Du Pont de Nemours and Company. The
ionomer resin interlayer has a Storage Young's Modulus of 361 MPa.
10 All six laminates are prepared by placing the interlayer between the glass
panels. Each of the glass panels is washed with deionized water. The laminates
are placed in an air autoclave at 220 PSIG (1.6 MPa) pressure at 135°C for
30 minutes. The laminates are 35 inches (88.9 cm) high by 50 inches (127 cm)
wide. Laminates 1-3 are placed in a window frame glazed with a silicone sealant
15 (Dow Corning type 995) as depicted in FIGURE 1. Laminates 4-6 are each
placed into a window frame using the same procedure except that a strip of the
interlayer material was placed in a channel surrounding the laminate so that it
contacted the edges of the interlayer, as in FIGURE 2D. Each of the laminates is
tested according to the Florida impact and cycling test sequence. In the impact
20 test a missile of a 9-pound (4.1 kilograms) pine board nominally 2 inches (5 cm)
by 4 inches (10 cm) and 8 feet (2.43 meters) long is propelled against the laminate
at 50 feet/second (15.2 meters/second) from an air pressure cannon striking the
laminate "normal" to its surface. Each of the laminates is subjected to two
impacts in two different locations of the laminate, which fractures the glass. The
25 results of the test are shown below in Table 2 below.

TABLE 2						
Laminated of Ionomer Resin IMPACT SEQUENCE						
	#1 IMPACT			#2 IMPACT		
Ex.	Location	Speed fps(mps)	Result	Location	Speed (fps)(mps)	Result
1	Bottom Center	50.8 (15.5)	P*	Bottom Corner	49.9(15.2)	P
2	Center Mullion	50.7(15.5)	P	Bottom Corner	50.8 (15.5)	P
3	Center Mullion	49.9 (15.2)	P	Bottom Center	50.8 (15.5)	P
4 ^c	Bottom Center	50.6 (15.4)	P	Bottom Corner	51.0 (15.6)	P
5 ^c	Center Mullion	50.2 (15,3)	P	Bottom Corner	50.4 (15.4)	P
6 ^c	Center Mullion	50.3 (15.3)	P	Bottom Center	50.1 (15,3)	P

fps = feet per second mps = meters per second
 *P=Passed
^cAn example of the present invention.

Each of the laminates 1-6 passed the impact test. The glass was fractured but the laminate remained intact.

- To evaluate the post glass fracture intrusion resistance of each of the laminates, each of the laminates 1-6 after the impact test is subjected to an air pressure cycling test as described above in the specification except the air pressure cycling sequence as shown in Table 3 is used. The results of this test are shown below in Table 3 below.

TABLE 3
AIR PRESSURE CYCLING SEQUENCE

Laminate	<u>POSITIVE PRESSURE INWARD</u> <u>ACTING</u>			<u>NEGATIVE PRESSURE</u> <u>OUTWARD ACTING</u>		
	Pressure (lbs/ft ²)	Cycles	Result	Pressure (lbs/ft ²)	Cycles	Result
1	70	4500	Passed	70	<1000	Failed
2	70	4500	Passed	70	<1000	Failed
3	70	4500	Passed	70	<1000	Failed
4	70	4500	Passed	70	4500	Passed
5	70	4500	Passed	70	4500	Passed
6	70	4500	Passed	70	4500	Passed

5

CLAIMS:

1. A glazing element comprising a transparent laminate and a supporting structure attached to the laminate, the laminate comprising at least one layer of glass bonded directly to an interlayer of a thermoplastic polymer having low haze,
5 wherein the polymer is exposed in such a manner as to allow for attachment of the laminate to the supporting structure, and wherein the laminate is attached to the supporting structure by way of the polymeric interlayer.
2. The glazing element of Claim 1 wherein said thermoplastic polymer is an ionomer resin.
- 10 3. The element of Claim 2 wherein said ionomer resin consists essentially of a water insoluble sodium salt of a polymer of ethylene and methacrylic acid or acrylic acid containing 14-24% by weight of the acid and having about 30-50% by weight of the acid neutralized with sodium ion and the ionomer resin has a melt index of about 0.5 - 50.
- 15 4. The glazing element of Claim 3 wherein two layers of float glass are present, each having a tin-side and an air-side, and wherein at least one glass layer is oriented with the tin-side being bonded to the layer of ionomer resin.
5. The glazing element of Claim 1 wherein two layers of float glass, each having a tin-side and an air-side, are each oriented with the tin sides of the glass
20 layers bonded to the layer of thermoplastic polymer.
6. The glazing element of any of Claims 1 - 5, wherein the glazing element is configured as shown in FIGURE 2A.
7. The glazing element of any of Claims 1 - 5, wherein the glazing element is configured as shown in FIGURE 2B.
- 25 8. The glazing element of any of Claims 1 - 5, wherein the glazing element is configured as shown in FIGURE 2C.
9. The glazing element of any of Claims 1 - 5, wherein the glazing element is configured as shown in FIGURE 2D.
10. The glazing element of any of Claims 1 - 5, wherein the glazing
30 element is configured as shown in FIGURE 2E.
11. The glazing element of any of Claims 1 - 5, wherein the glazing element is configured as shown in FIGURE 2F.
12. The glazing element of any of Claims 1 - 5, wherein the glazing element is configured as shown in FIGURE 2G.

13. The glazing element of any of Claims 1 – 5, wherein the glazing element is configured as shown in FIGURE 2H.

14. The glazing element of any of Claims 1 – 5, wherein the glazing element is configured as shown in FIGURE 4.

5 15. The glazing element of any of Claims 1 – 5, wherein the glazing element is configured as shown in FIGURE 5.

16. The glazing element of any of Claims 1 – 5, wherein the glazing element is configured as shown in FIGURE 6.

10 17. A process for fabricating a glazing element which includes a glass/thermoplastic polymer laminate in a supporting structure comprising the steps: forming the glass/plastic laminate by positioning a thermoplastic polymer interlayer between two glass plates, the polymer being exposed in such a manner as to allow for attachment of the laminate to the supporting structure; removing air from between the layers of glass and the interlayer; applying heat and external
15 pressure to adhesively bond the glass plates to the interlayer; and, attaching the polymeric interlayer to the supporting structure.

18. A process for fabricating a glazing element which includes a glass/thermoplastic polymer laminate in a supporting structure comprising the steps: forming the glass/plastic laminate by positioning a thermoplastic polymer
20 interlayer between two glass plates, the polymer being exposed in such a manner as to allow for attachment of the laminate to the supporting structure; removing air from between the layers of glass and the interlayer; applying heat, but not external pressure, to adhesively bond the glass plates to the interlayer; and, attaching the polymeric interlayer to the supporting structure.

25

FIG. 1

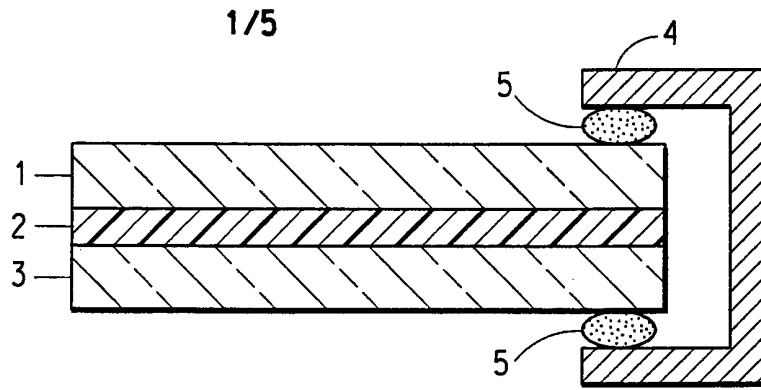


FIG. 2A

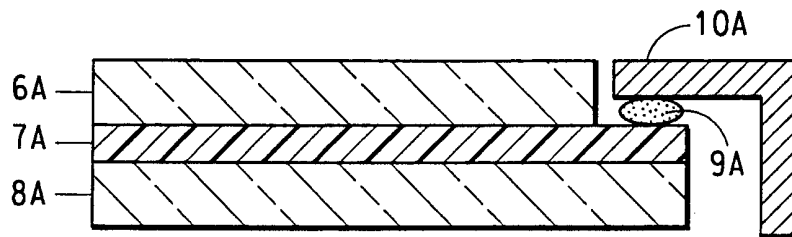


FIG. 2B

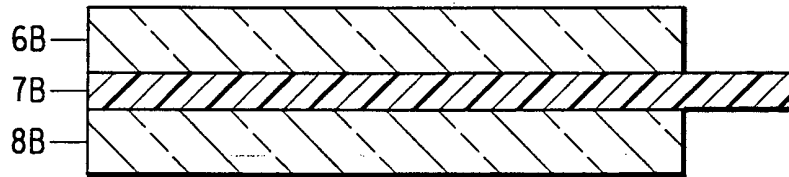


FIG. 2C

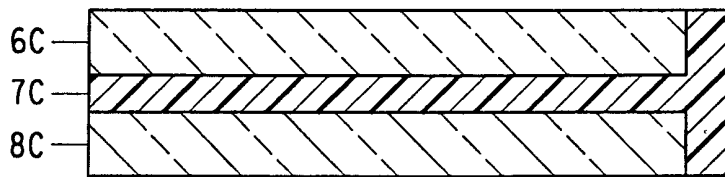


FIG. 2D

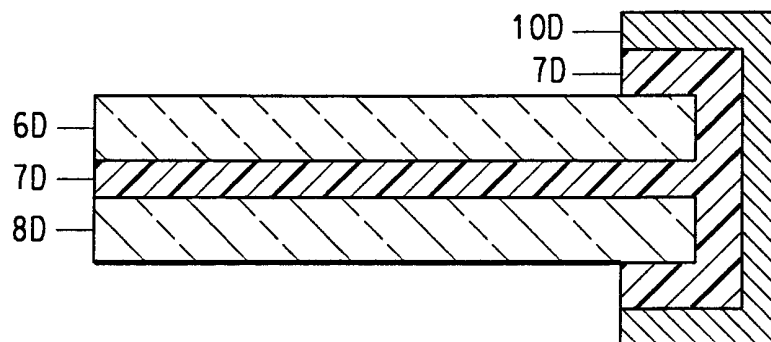


FIG. 2E

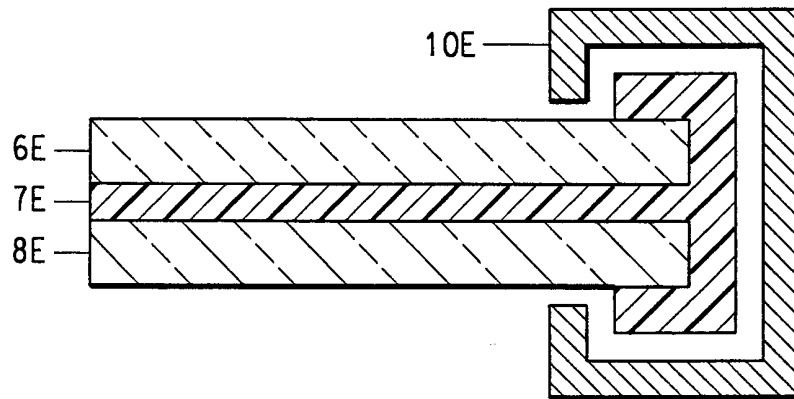


FIG. 2F

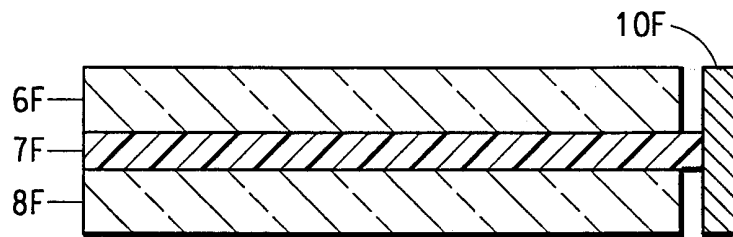


FIG. 2G

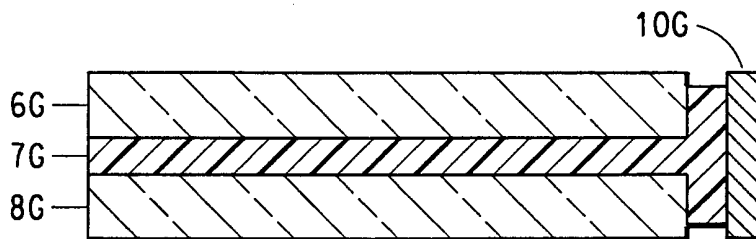
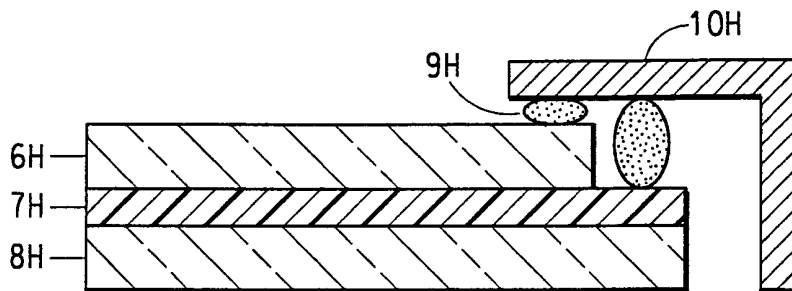


FIG. 2H



3/5

FIG. 3A

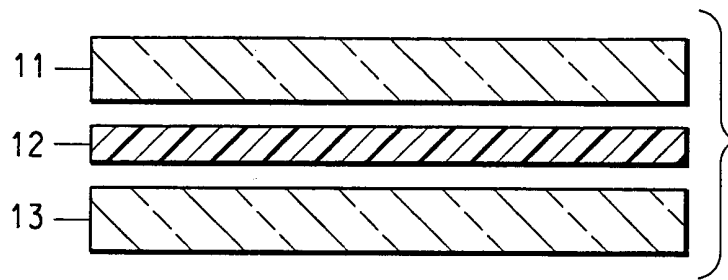


FIG. 3B

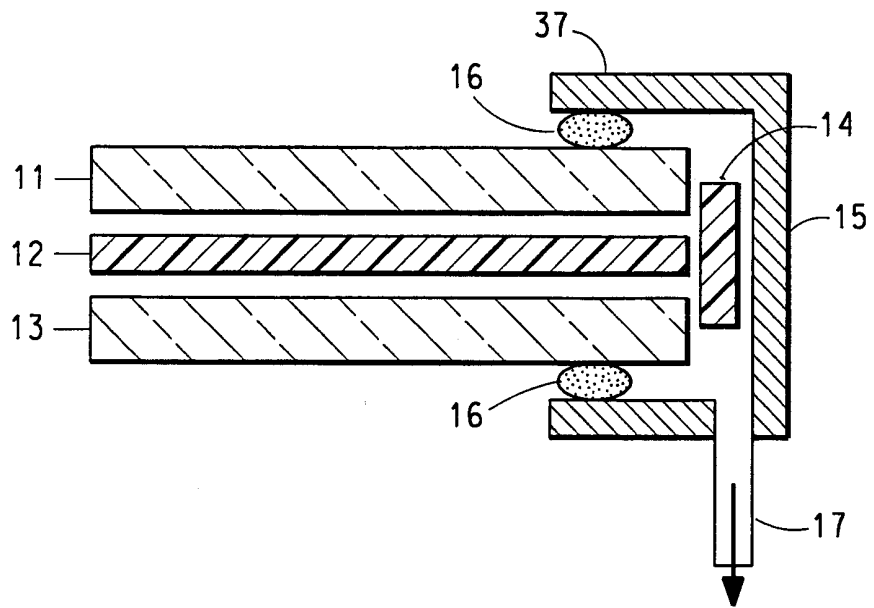


FIG. 3C

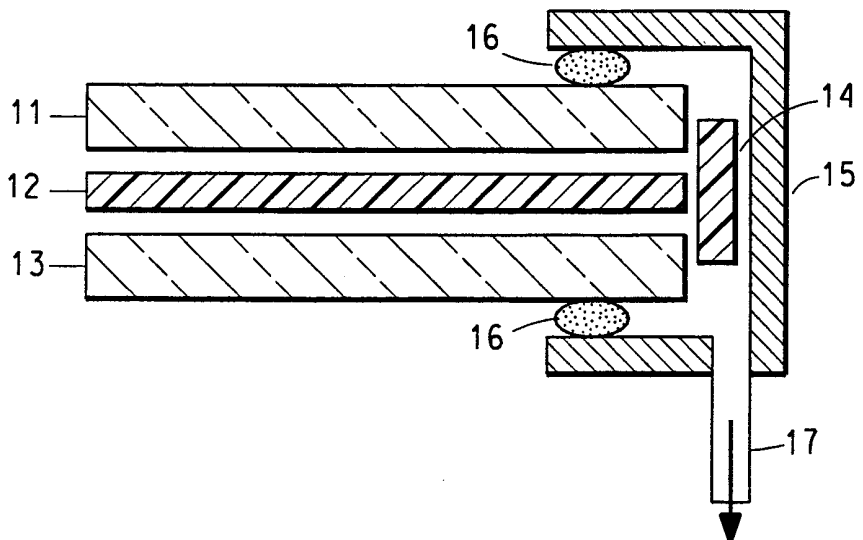


FIG. 3D

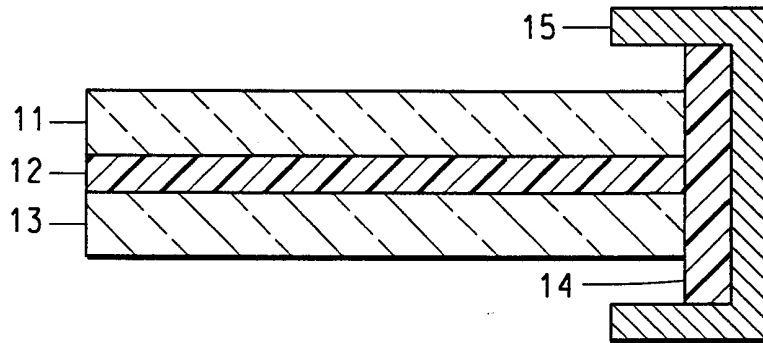


FIG. 4

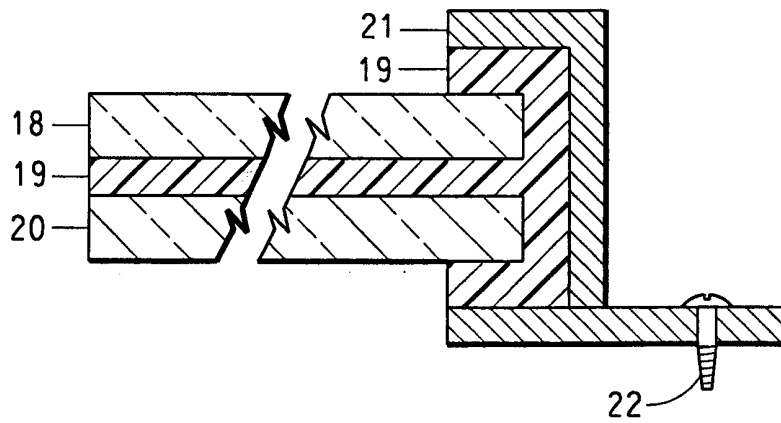
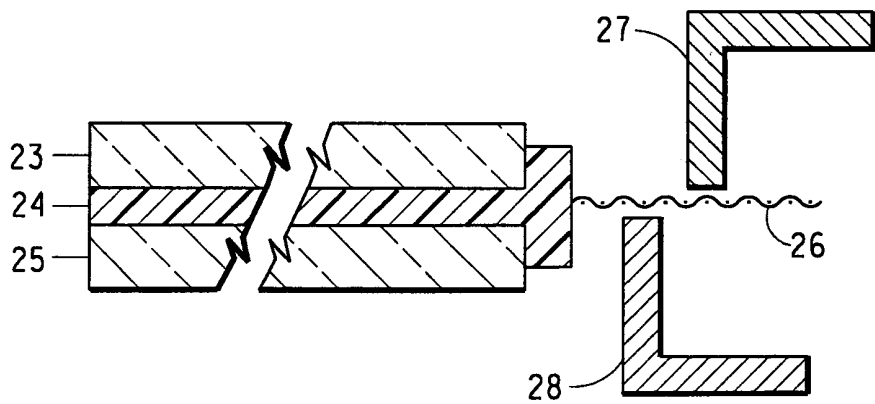


FIG. 5



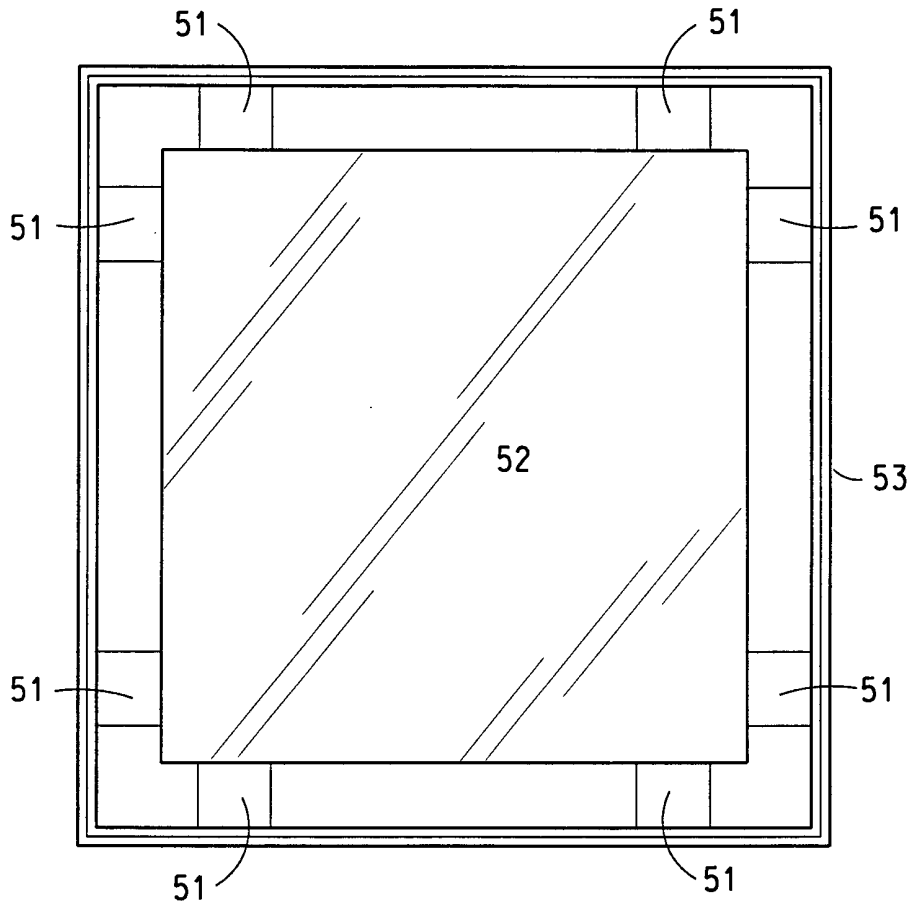


FIG. 6

INTERNATIONAL SEARCH REPORT

International Application No

PCT/US 00/10406

A. CLASSIFICATION OF SUBJECT MATTER
 IPC 7 B32B17/10 C03C27/12 E06B5/12

According to International Patent Classification (IPC) or to both national classification and IPC

B. FIELDS SEARCHED

Minimum documentation searched (classification system followed by classification symbols)

IPC 7 B32B C03C E06B

Documentation searched other than minimum documentation to the extent that such documents are included in the fields searched

Electronic data base consulted during the international search (name of data base and, where practical, search terms used)

EPO-Internal

C. DOCUMENTS CONSIDERED TO BE RELEVANT

Category °	Citation of document, with indication, where appropriate, of the relevant passages	Relevant to claim No.
P,X	FR 2 770 800 A (KOMATSU MFG CO LTD) 14 May 1999 (1999-05-14) page 3, line 20 -page 4, line 10 page 9, line 5 - line 14; claims; figures ---	1,2,8, 12,17,18
P,X	EP 0 974 451 A (SAINT GOBAIN VITRAGE) 26 January 2000 (2000-01-26) the whole document ---	1,2,6,7, 16-18
X	DE 35 44 080 A (LICENTIA GMBH) 19 June 1987 (1987-06-19) column 3, line 35 - line 38 column 3, line 57 -column 4, line 24; figures ---	1,9,17, 18
X	US 2 306 314 A (MAURICE D. LARDIN) 22 December 1942 (1942-12-22) the whole document ---	1,8,17, 18
-/--		

Further documents are listed in the continuation of box C.

Patent family members are listed in annex.

° Special categories of cited documents :

- *A* document defining the general state of the art which is not considered to be of particular relevance
- *E* earlier document but published on or after the international filing date
- *L* document which may throw doubts on priority claim(s) or which is cited to establish the publication date of another citation or other special reason (as specified)
- *O* document referring to an oral disclosure, use, exhibition or other means
- *P* document published prior to the international filing date but later than the priority date claimed

- *T* later document published after the international filing date or priority date and not in conflict with the application but cited to understand the principle or theory underlying the invention
- *X* document of particular relevance; the claimed invention cannot be considered novel or cannot be considered to involve an inventive step when the document is taken alone
- *Y* document of particular relevance; the claimed invention cannot be considered to involve an inventive step when the document is combined with one or more other such documents, such combination being obvious to a person skilled in the art.
- * & * document member of the same patent family

Date of the actual completion of the international search

8 August 2000

Date of mailing of the international search report

17/08/2000

Name and mailing address of the ISA
 European Patent Office, P.B. 5818 Patentlaan 2
 NL - 2280 HV Rijswijk
 Tel. (+31-70) 340-2040, Tx. 31 651 epo nl,
 Fax: (+31-70) 340-3016

Authorized officer

Van Belleghem, W

INTERNATIONAL SEARCH REPORT

International Application No

PCT/US 00/10406

C.(Continuation) DOCUMENTS CONSIDERED TO BE RELEVANT

Category °	Citation of document, with indication, where appropriate, of the relevant passages	Relevant to claim No.
X	BE 646 174 A (PERMAGLASS) 31 July 1964 (1964-07-31) page 4, line 13 -page 7, paragraph 1; figures ----	1,8,9
X	US 4 284 677 A (HERLICZEK SIEGFRIED H) 18 August 1981 (1981-08-18) figure 2 ----	1,6,14
X	US 2 353 473 A (L.D.KESLAR) 11 July 1944 (1944-07-11) the whole document ----	1,6-8
A	US 2 567 353 A (JOSEPH D. RYAN) 11 September 1951 (1951-09-11) figure 3 ----	1,7
A	FR 2 138 712 A (GLAVERBEL) 5 January 1973 (1973-01-05) figures 11,15 ----	1,6
A	DE 295 19 447 U (BISCHOFF GLASTECHNIK) 14 March 1996 (1996-03-14) figure ----	1,6
A	WO 84 04277 A (BOLTON NELSON P;SMITH NOVIS W JR) 8 November 1984 (1984-11-08) page 2, line 4 - line 7; figure 5 ----	2,3
A	DE 23 34 742 A (GULF RESEARCH DEVELOPMENT CO) 31 January 1974 (1974-01-31) page 3, paragraph 2 page 6, paragraph 2 page 11, paragraph 3 -page 13, paragraph 2 page 15; example 2 page 17; claims; figure 5 -----	2-5

INTERNATIONAL SEARCH REPORT

Information on patent family members

International Application No

PCT/US 00/10406

Patent document cited in search report	A	Publication date	Patent family member(s)	Publication date
FR 2770800	A	14-05-1999	JP 11138668 A	25-05-1999
EP 0974451	A	26-01-2000	FR 2781415 A	28-01-2000
DE 3544080	A	19-06-1987	NONE	
US 2306314	A	22-12-1942	NONE	
BE 646174	A	31-07-1964	US 3281296 A	25-10-1966
US 4284677	A	18-08-1981	NONE	
US 2353473	A	11-07-1944	NONE	
US 2567353	A	11-09-1951	NONE	
FR 2138712	A	05-01-1973	GB 1359168 A	10-07-1974
			AU 4248072 A	20-12-1973
			BE 783462 A	16-11-1972
			DE 2223353 A	30-11-1972
			ES 403419 A	16-04-1975
			IT 954777 B	15-09-1973
			NL 7206889 A	23-11-1972
			TR 17093 A	25-04-1974
			US 3806400 A	23-04-1974
			ZA 7203256 A	28-03-1973
DE 29519447	U	14-03-1996	NONE	
WO 8404277	A	08-11-1984	CA 1243590 A	25-10-1988
			DE 3486336 D	22-09-1994
			DE 3486336 T	23-03-1995
			EP 0140969 A	15-05-1985
			JP 5030621 B	10-05-1993
			JP 60501201 T	01-08-1985
			US 4663228 A	05-05-1987
			US 4668574 A	26-05-1987
DE 2334742	A	31-01-1974	GB 1386719 A	12-03-1975
			IT 990883 B	10-07-1975
			JP 49059190 A	08-06-1974
			NL 7309750 A	15-01-1974