

(19) World Intellectual Property Organization
International Bureau



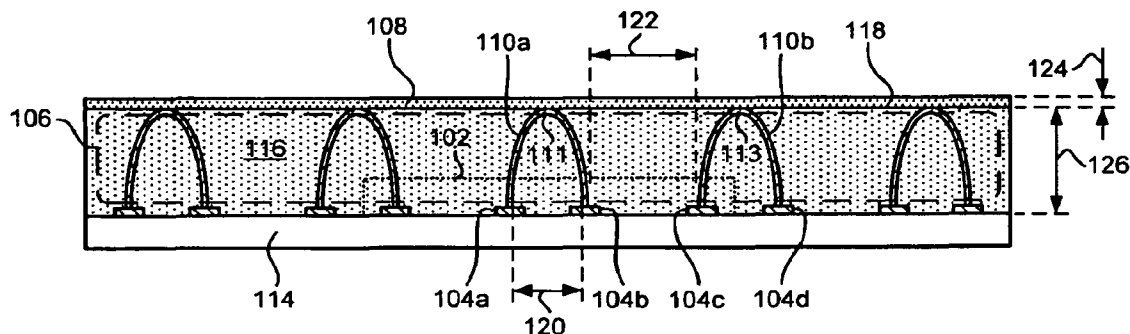
(43) International Publication Date
14 February 2008 (14.02.2008)

PCT

(10) International Publication Number
WO 2008/018959 A3

- (51) International Patent Classification:
H01L 23/60 (2006.01)
 - (21) International Application Number:
PCT/US2007/015284
 - (22) International Filing Date: 9 July 2007 (09.07.2007)
 - (25) Filing Language: English
 - (26) Publication Language: English
 - (30) Priority Data:
11/499,285 4 August 2006 (04.08.2006) US
 - (71) Applicant (for all designated States except US): SKY-
WORKS SOLUTIONS, INC. [US/US]; 20 Sylvan Road,
Woburn, MA 01801 (US).
 - (72) Inventors; and
 - (75) Inventors/Applicants (for US only): HOANG, Dinh-
phuoc, V. [US/US]; 10881 Cedar Ave., Stanton, CA 90680
(US). NOLL, Thomas, E. [US/US]; 23411 Summerfield,
Apt.36-h, Aliso Viejo, CA 92656 (US). AGARWAL,
Anil, K. [US/US]; 3 Duskywing Court, Ladera Ranch,
CA 92694 (US). WARREN, Robert, W. [US/US]; 2049
Vista Cajon, Newport Beach, CA 92660 (US). READ,
Matthew, S. [US/US]; 31 Aloysia, Rancho Santa Mar-
garita, CA 92688 (US). LOBIANCO, Anthony [US/US];
30 Sorrento, Irvine, CA 92614 (US).
 - (74) Agent: FARJAMI, Michael; Farjami & Farjami Llp,
26522 La Alameda Ave., Suite 360, Mission Viejo, CA
92691 (US).
 - (81) Designated States (unless otherwise indicated, for every
kind of national protection available): AE, AG, AL, AM,
AT, AU, AZ, BA, BB, BG, BH, BR, BW, BY, BZ, CA, CH,
CN, CO, CR, CU, CZ, DE, DK, DM, DO, DZ, EC, EE, EG,
ES, FI, GB, GD, GE, GH, GM, GT, HN, HR, HU, ID, IL,
IN, IS, JP, KE, KG, KM, KN, KP, KR, KZ, LA, LC, LK,
LR, LS, LT, LU, LY, MA, MD, ME, MG, MK, MN, MW,
MX, MY, MZ, NA, NG, NI, NO, NZ, OM, PG, PH, PL,
PT, RO, RS, RU, SC, SD, SE, SG, SK, SL, SM, SV, SY,
TJ, TM, TN, TR, TT, TZ, UA, UG, US, UZ, VC, VN, ZA,
ZM, ZW.
 - (84) Designated States (unless otherwise indicated, for every
kind of regional protection available): ARIPO (BW, GH,
GM, KE, LS, MW, MZ, NA, SD, SL, SZ, TZ, UG, ZM,
ZW), Eurasian (AM, AZ, BY, KG, KZ, MD, RU, TJ, TM),
European (AT, BE, BG, CH, CY, CZ, DE, DK, EE, ES, FI,
FR, GB, GR, HU, IE, IS, IT, LT, LU, LV, MC, MT, NL, PL,
PT, RO, SE, SI, SK, TR), OAPI (BF, BJ, CF, CG, CI, CM,
GA, GN, GQ, GW, ML, MR, NE, SN, TD, TG).
- Published:**
- with international search report
 - before the expiration of the time limit for amending the
claims and to be republished in the event of receipt of
amendments
- (88) Date of publication of the international search report:
3 April 2008

(54) Title: OVERMOLDED SEMICONDUCTOR PACKAGE WITH A WIREBOND CAGE FOR EMI SHIELDING



(57) Abstract: According to one exemplary embodiment, an overmolded package (100, 300) includes a component (102, 302) situated on a substrate (114, 314). The overmolded package further includes an overmold (116, 316) situated over the component and the substrate. The overmolded package further includes a wirebond cage (106, 306) situated over the substrate and in the overmold, where the wirebond cage surrounds the component, and where the wirebond cage includes a number of wirebonds (110a, 110b, 310a, 310b). The wirebond cage forms an EMI shield around the component. According to this exemplary embodiment, the overmolded package further includes a conductive layer (108, 308) situated on a top surface (118, 318) of the overmold and connected to the wirebond cage, where the conductive layer forms an EMI shield over the component.

WO 2008/018959 A3

INTERNATIONAL SEARCH REPORT

| |
|---|
| International application No. PCT/US07/15284 |
|---|

A. CLASSIFICATION OF SUBJECT MATTER
 IPC(8) - H01L 23/60 (2007.10)
 USPC - 257/692
 According to International Patent Classification (IPC) or to both national classification and IPC

B. FIELDS SEARCHED
 Minimum documentation searched (classification system followed by classification symbols)
 IPC(8) - H01L 23/60 (2007.10)
 USPC - 257/692, 723, 784, 787, e.23.114; 438/112, 124, 126, 127; 361/774, 782

Documentation searched other than minimum documentation to the extent that such documents are included in the fields searched

Electronic data base consulted during the international search (name of data base and, where practicable, search terms used)
 USPTO EAST System (US, USPG-PUB, USOCR), MicroPatent, PatBase


C. DOCUMENTS CONSIDERED TO BE RELEVANT

| Category* | Citation of document, with indication, where appropriate, of the relevant passages | Relevant to claim No. |
|-----------|---|-----------------------|
| Y | US 6,566,596 B1 (ASKEW) 20 May 2003 (20.05.2003) entire document | 1-3, 5-11, 13-19 |
| Y | US 5,151,770 A (INOUE) 29 September 1992 (29.09.1992) entire document | 1-3, 5-11, 13-19 |
| Y | US 6,650,009 B2 (HER et al) 18 November 2003 (18.11.2003) entire document | 8-11, 13-16 |
| Y | US 2004/0238934 A1 (WARNER et al) 02 December 2004 (02.12.2004) entire document | 6, 14, 15 |
| Y | US 5,355,016 A (SWIRBEL et al) 11 October 1994 (11.10.1994) entire document | 7, 16 |
| A | US 2006/0145361 A1 (YANG et al) 06 July 2006 (06.07.2006) Fig. 3B, paragraphs [0010], [0023], [0029] and [0033] | 1-20 |
| A | US 6,486,549 B1 (CHIANG) 26 November 2002 (26.11.2002) Fig. 2X, col.19, lines 31-55, col.19, line 66-col.20, line 14. | 1-20 |
| A | US 5,166,864 A (CHITWOOD et al) 24 November 1992 (24.11.1992) entire document | 1-20 |
| A | JP 04-058596 A (SUZUKI et al) 25 February 1992 (25.02.1992) Figures 1C and 1D | 1-20 |

Further documents are listed in the continuation of Box C.

| | |
|---|--|
| * Special categories of cited documents: | "T" later document published after the international filing date or priority date and not in conflict with the application but cited to understand the principle or theory underlying the invention |
| "A" document defining the general state of the art which is not considered to be of particular relevance | "X" document of particular relevance; the claimed invention cannot be considered novel or cannot be considered to involve an inventive step when the document is taken alone |
| "E" earlier application or patent but published on or after the international filing date | "Y" document of particular relevance; the claimed invention cannot be considered to involve an inventive step when the document is combined with one or more other such documents, such combination being obvious to a person skilled in the art |
| "L" document which may throw doubts on priority claim(s) or which is cited to establish the publication date of another citation or other special reason (as specified) | "&" document member of the same patent family |
| "O" document referring to an oral disclosure, use, exhibition or other means | |
| "P" document published prior to the international filing date but later than the priority date claimed | |

| | |
|---|--|
| Date of the actual completion of the international search 12 December 2007 | Date of mailing of the international search report 07 FEB 2008 |
|---|--|

| | |
|---|--|
| Name and mailing address of the ISA/US Mail Stop PCT, Attn: ISA/US, Commissioner for Patents P.O. Box 1450, Alexandria, Virginia 22313-1450 Facsimile No. 571-273-3201 | Authorized officer: Blaine R. Copenheaver  PCT Helpdesk: 571-272-4300 PCT OSP: 571-272-7774 |
|---|--|