

(19) World Intellectual Property Organization  
International Bureau



(43) International Publication Date  
2 October 2008 (02.10.2008)

PCT

(10) International Publication Number  
**WO 2008/117155 A3**

- (51) **International Patent Classification:**  
F24C 3/10 (2006.01) F23Q 3/00 (2006.01)
- (21) **International Application Number:**  
PCT/IB2008/000680
- (22) **International Filing Date:** 24 March 2008 (24.03.2008)
- (25) **Filing Language:** English
- (26) **Publication Language:** English
- (30) **Priority Data:**  
TO2007A000218 26 March 2007 (26.03.2007) IT
- (71) **Applicant (for all designated States except US):** ITW INDUSTRIAL COMPONENTS S.R.L. CON UNICO SOCIO [IT/IT]; Via Visconti di Modrone, 7, 1-20122 Milano (IT).

CH, CN, CO, CR, CU, CZ, DE, DK, DM, DO, DZ, EC, EE, EG, ES, FI, GB, GD, GE, GH, GM, GT, HN, HR, HU, ID, IL, IN, IS, JP, KE, KG, KM, KN, KP, KR, KZ, LA, LC, LK, LR, LS, LT, LU, LY, MA, MD, ME, MG, MK, MN, MW, MX, MY, MZ, NA, NG, NI, NO, NZ, OM, PG, PH, PL, PT, RO, RS, RU, SC, SD, SE, SG, SK, SL, SM, SY, TJ, TM, TN, TR, TT, TZ, UA, UG, US, UZ, VC, VN, ZA, ZM, ZW

- (84) **Designated States (unless otherwise indicated, for every kind of regional protection available):** ARIPO (BW, GH, GM, KE, LS, MW, MZ, NA, SD, SL, SZ, TZ, UG, ZM, ZW), Eurasian (AM, AZ, BY, KG, KZ, MD, RU, TJ, TM), European (AT, BE, BG, CH, CY, CZ, DE, DK, EE, ES, FI, FR, GB, GR, HR, HU, IE, IS, IT, LT, LU, LV, MC, MT, NL, NO, PL, PT, RO, SE, SI, SK, TR), OAPI (BF, BJ, CF, CG, CI, CM, GA, GN, GQ, GW, ML, MR, NE, SN, TD, TG).

- (72) **Inventors; and**
- (75) **Inventors/Applicants (for US only):** PIANEZZE, Daniele [IT/IT]; Via Toscana, 16C, 1-21012 Cassano Magnago (IT). ALEARDI, Massimo [IT/IT]; Via A. Costa, 36, 1-21012 Cassano Magnago (IT).
- (81) **Designated States (unless otherwise indicated, for every kind of national protection available):** AE, AG, AL, AM, AO, AT, AU, AZ, BA, BB, BG, BH, BR, BW, BY, BZ, CA,

- Declarations under Rule 4.17:**
- as to applicant's entitlement to apply for and be granted a patent (Rule 4.17(U))
  - as to the applicant's entitlement to claim the priority of the earlier application (Rule 4.17(Ui))
  - of inventorship (Rule 4.17(iv))

**Published:**  
— with international search report

[Continued on next page]

(54) **Title:** GAS LIGHTING DEVICE HAVING SIMPLIFIED FASTENING MEANS TO AN ELECTRIC HOUSEHOLD APPLIANCE, IN PARTICULAR A COOKING RANGE

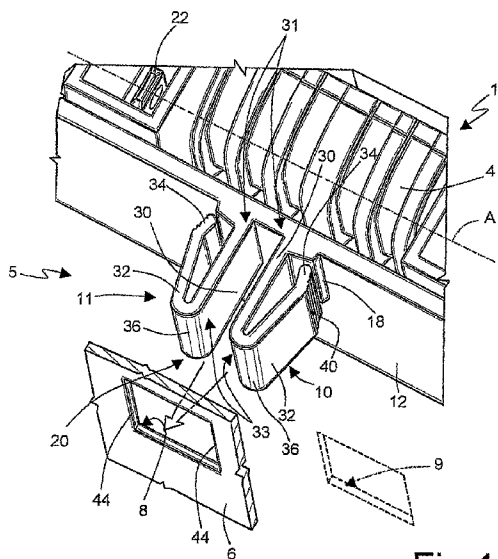


Fig. 1

(57) **Abstract:** A gas lighting device having a casing fastenable to an electric household appliance by means of fastening means coupleable with corresponding perforations obtained on a carrying element of the electric household appliance; wherein the fastening means consist of at least one pair of elastically deformable fastening elements protrudingly carried by the casing, perpendicularly to the same, in a position immediately adjacent one to the other so that they are adapted to snappingly couple with only one and the same of said perforations of the carrying element of the electric household appliance.



WO 2008/117155 A3



— *before the expiration of the time limit for amending the claims and to be republished in the event of receipt of amendments*

**(88) Date of publication of the international search report:**  
20 November 2008

**INTERNATIONAL SEARCH REPORT**

International application No  
**PCT/IB2008/000680**

**A. CLASSIFICATION OF SUBJECT MATTER**  
**INV. F24C3/10 F23Q3/00**

According to International Patent Classification (IPC) or to both national classification and IPC

**B. REIDS SEARCHED**

Minimum documentation searched (classification system followed by classification symbols)  
F24C F23Q H02B H05K F16B

Documentation searched other than minimum documentation to the extent that such documents are included in the fields searched

Electronic data base consulted during the international search (name of data base and, where practical, search terms used)

**EPO-Internal , WPI Data**

**C. DOCUMENTS CONSIDERED TO BE RELEVANT**

Category*	Citation of document, with indication, where appropriate, of the relevant passages	Relevant to claim No.
<b>Y</b>	WO 00/07217 A (MILLER EUROP S P A [IT]; ALEARDI MASSIMO [IT]; BIANCHI RAOUL [IT]) 10 February 2000 (2000-02-10)	<b>1-3,5-7</b>
<b>A</b>	page 9 , line 3 - line 13; figures -----	<b>4</b>
<b>Y</b>	DE 44 10 512 A1 (PAFF STANNOL LOETMITTEL [DE] PPS SOFTWARE & SYSTEME GMBH [DE]) 5 October 1995 (1995-10-05)	<b>1-3,5-7</b>
	column 3 , line 49 - column 4 , line 55; figure 6 -----	
<b>A</b>	EP 0 470 471 A (SIEMON CO [US]) 12 February 1992 (1992-02-12)	<b>7</b>
	column 4 , line 41 - line 51; figure 2 -----	
<b>A</b>	EP 1 101 067 A (ITW IND COMPONENTS SRL [IT]) 23 May 2001 (2001-05-23)	<b>1</b>
	cited in the application abstract -----	

**D** , Further documents are listed in the continuation of Box C.



See patent family annex.

\* Special categories of cited documents :

- 'A' document defining the general state of the art which is not considered to be of particular relevance /
- 'E' earlier document but published on or after the international filing date
- 'L' document which may throw doubts on priority claim(s) or which is cited to establish the publication date of another citation or other special reason (as specified)
- 'O' document referring to an oral disclosure, use, exhibition or other means
- 'P' document published prior to the international filing date but later than the priority date claimed

- 'T' later document published after the international filing date or priority date and not in conflict with the application but cited to understand the principle or theory underlying the invention
- 'X' document of particular relevance; the claimed invention cannot be considered novel or cannot be considered to involve an inventive step when the document is taken alone
- 'Y' document of particular relevance; the claimed invention cannot be considered to involve an inventive step when the document is combined with one or more other such documents, such combination being obvious to a person skilled in the art.
- '&' document member of the same patent family

Date of the actual completion of the international search

9 September 2008

Date of mailing of the international search report

01/10/2008

Name and mailing address of the ISA/

European Patent Office, P.B. 5818 Patentlaan 2  
NL - 2280 HV Rijswijk  
Tel. (+31-70) 340-2040, Tx. 31 651 epo nl,  
Fax. (+31-70) 340-3016

Authorized officer

**Rohr, Peter**

## INTERNATIONAL SEARCH REPORT

Information on patent family members

International application No

PCT/IB2008/000680

Patent document cited in search report	Publication date	Patent family member(s)	Publication date		
wo 0007217	A	10-02-2000	AT 232589 T 15-02-2003		
			AU 5193899 A 21-02-2000		
			BR 9912464 A 17-04-2001		
			CA 2347663 AI 10-02-2000		
			DE 69905377 DI 20-03-2003		
			DE 69905377 T2 20-11-2003		
			EP 1105683 A2 13-06-2001		
			ES 2192855 T3 16-10-2003		
			IT T0980652 AI 28-01-2000		
			US 6429606 BI 06-08-2002		
			-----		
			DE 4410512	AI	05-10-1995
-----					
EP 0470471	A	12-02-1992	AT 136697 T 15-04-1996		
			AU 645088 B2 06-01-1994		
			AU 7816691 A 13-02-1992		
			BR 9103435 A 19-05-1992		
			DE 69118611 DI 15-05-1996		
			DE 69118611 T2 19-09-1996		
			DK 470471 T3 20-05-1996		
			ES 2088449 T3 16-08-1996		
			GR 3019696 T3 31-07-1996		
			US 5217190 A 08-06-1993		
			-----		
			EP 1101067	A	23-05-2001
AU 5193999 A 21-02-2000					
BR 9912457 A 17-04-2001					
CA 2347705 AI 10-02-2000					
DE 69906087 DI 24-04-2003					
DE 69906087 T2 11-12-2003					
ES 2194494 T3 16-11-2003					
wo 0006952 AI 10-02-2000					
IT T0980653 AI 28-01-2000					
US 6796792 BI 28-09-2004					
-----					